

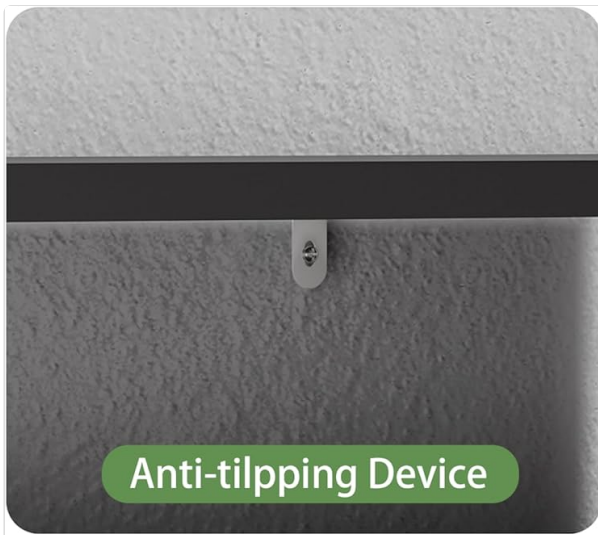
Xixini 3637383940

Xixini Shoe Cabinet with 2 Flip Drawers - Instruction Manual

Model: 3637383940 | Brand: Xixini

1. SAFETY INFORMATION

Important: This shoe cabinet is equipped with an anti-tipping device. For safety, it is crucial to fix the cabinet securely to the wall using the provided anti-tipping device to prevent accidents, especially in households with children or pets. Ensure proper assembly and mounting to avoid tipping and potential injuries. The sturdy base provides additional support for stability.



This image illustrates the anti-tipping device for wall attachment and the stable base design of the shoe cabinet, both critical for safety.

2. PRODUCT OVERVIEW

The Xixini Shoe Cabinet (Model 3637383940) is a narrow, fluted shoe storage organizer designed for entryways, hallways, living rooms, or porches. This unit features two flip-out drawers, each containing two layers of storage space. The design incorporates a modern aesthetic with a solid black finish and chic metal handles.

Key Features:

- **Dimensions:** 31.5" W x 9.45" D x 37" H
- **Storage Capacity:** Up to 16 pairs of shoes.
- **Adjustable/Removable Panels:** Each flip-out drawer includes adjustable or removable panels to customize storage space for various shoe types (heels, sneakers, flats, boots).
- **Material:** Constructed from durable P2 engineered wood with a polished finish.
- **Design:** Modern fluted panel design with chic metal handles.

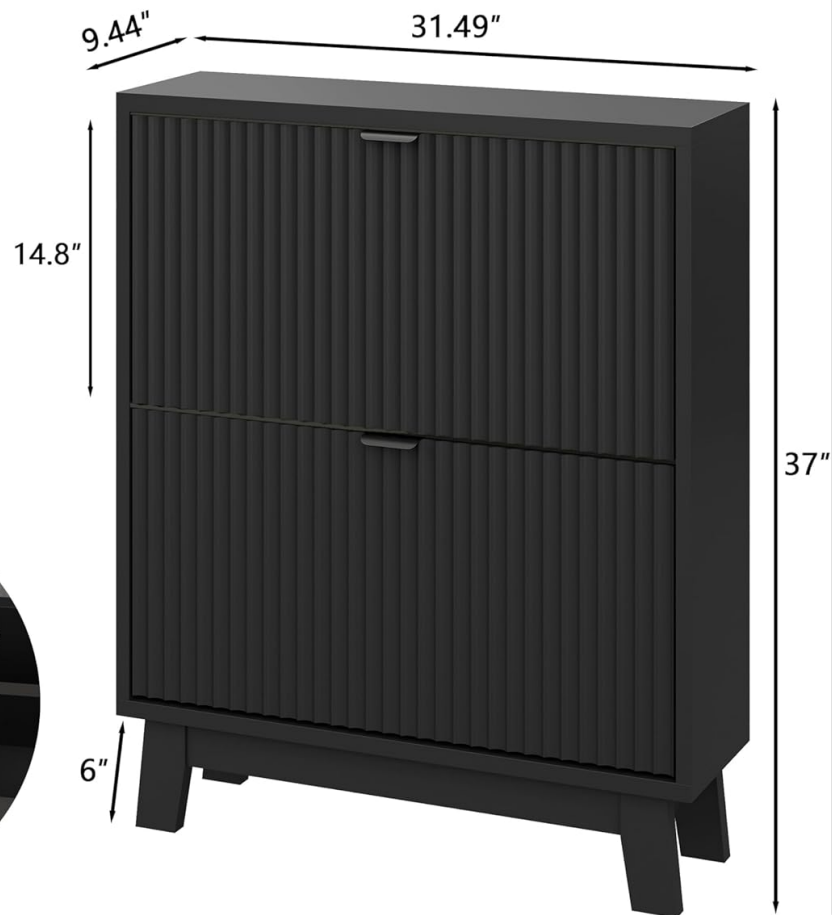
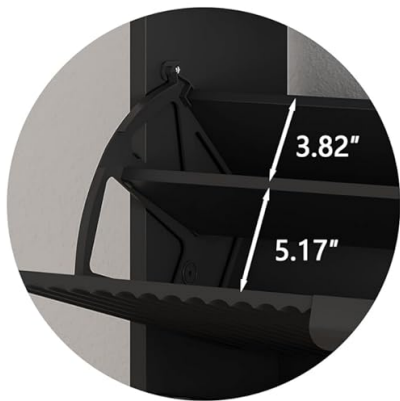
- **Stability:** Features a sturdy base and an anti-tipping device for enhanced security.



This image displays the overall appearance of the Xixini Shoe Cabinet in solid black, highlighting its two flip drawers and fluted design.

PRODUCT SIZE

- Natural Oak
- Solid Black
- Solid White
- Light Grey



A detailed diagram illustrating the product dimensions: 31.5 inches wide, 9.44 inches deep, and 37 inches high.

3. SETUP AND ASSEMBLY

The Xixini Shoe Cabinet is designed for straightforward assembly. An instruction manual and all necessary accessory bags are included with your purchase.

Assembly Steps:

1. Unpack all components and verify against the parts list in the included instruction manual.
2. Follow the step-by-step instructions provided in the manual for assembling the cabinet frame.
3. Attach the flip-out drawers according to the diagrams.
4. Install the metal handles onto the drawers.
5. Securely attach the anti-tipping device to the top rear of the cabinet and then to a wall stud or appropriate wall anchor. This step is critical for stability and safety.

Assembly typically takes approximately 2 hours. Using power tools (with caution) or having two people assist can shorten the assembly time.

Your browser does not support the video tag.

This video demonstrates the assembly process and key features of the Xixini Fluted Shoe Cabinet with 2 Flip Drawers.

4. OPERATING INSTRUCTIONS

Using the Flip Drawers:

- To open a drawer, gently pull the metal handle outwards. The drawer will flip down, revealing two internal storage layers.
- To close a drawer, push the drawer upwards until it clicks securely into place.

Adjusting/Removing Internal Panels:

Each flip-out drawer contains internal panels that can be adjusted or removed to accommodate different shoe sizes and types.

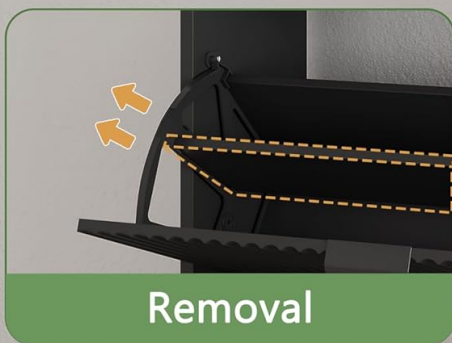
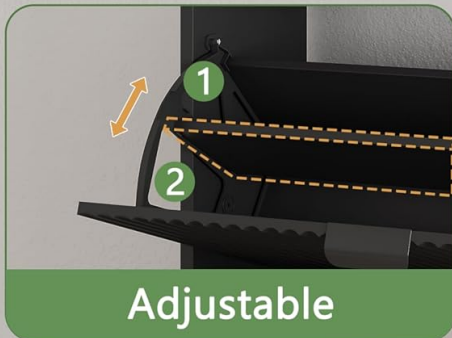
1. **To Adjust:** Locate the panel supports inside the drawer. Carefully lift and reposition the panel into a different slot to change the height of the storage compartment.
2. **To Remove:** Lift the panel completely out of its supports. This creates a larger single compartment suitable for boots or taller items.



This image demonstrates the open and closed states of the two-layer shoe cabinet drawers.

ADJUSTABLE & REMOVABLE PANELS

● Fit Different Shoe Types ●



A visual guide on adjusting and removing the internal panels to customize storage space for various shoe types.

5. MAINTENANCE

- **Cleaning:** To clean the cabinet, wipe surfaces with a damp cloth. Avoid abrasive cleaners or harsh chemicals that may damage the finish. Allow to air-dry completely.
- **Dusting:** Regularly dust the cabinet with a soft, dry cloth to prevent buildup.
- **Inspection:** Periodically check all screws and connections to ensure they remain tight. Retighten if necessary.
- **Anti-Tipping Device:** Verify that the anti-tipping device remains securely attached to both the cabinet and the wall.

The enclosed design helps keep dirt out, maintaining a clean and tidy appearance.

6. TROUBLESHOOTING

| Problem | Possible Cause | Solution |
|--|---|--|
| Drawers do not close properly. | Obstruction inside the drawer; misaligned panels; loose hardware. | <ul style="list-style-type: none"> Remove all shoes and check for any items blocking the closing mechanism. Ensure internal panels are correctly seated in their slots. Check and tighten all assembly screws for the drawer mechanism. |
| Cabinet feels unstable or wobbly. | Loose assembly screws; anti-tipping device not installed or improperly secured. | <ul style="list-style-type: none"> Verify all assembly screws are tightened. Ensure the anti-tipping device is correctly installed and firmly anchored to the wall. Place the cabinet on a level surface. |
| Shoes slide to the back of the drawer. | Small shoe size; panels not adjusted correctly. | <ul style="list-style-type: none"> Adjust the internal panels to create a tighter fit for smaller shoes. Consider using small bins or shoe inserts to prevent sliding if panels cannot be adjusted further. |

7. SPECIFICATIONS

| | |
|---------------------------------------|---|
| Brand | Xixini |
| Model Number | 3637383940 |
| Product Dimensions (D x W x H) | 9.45" x 31.5" x 37" |
| Material | P2 Engineered Wood |
| Color | Solid Black |
| Number of Drawers | 2 (each with 2 layers) |
| Assembly Required | Yes |
| Mounting Type | Floor Mount (with wall anchor for anti-tipping) |
| Item Weight | 43.65 Pounds |

8. WARRANTY AND SUPPORT

Warranty Information:

Please refer to your purchase documentation or contact Xixini customer service for specific warranty details regarding your shoe cabinet.

Customer Support:

If you require assistance with assembly, have questions about product features, or encounter any issues not covered in this manual, please contact the Xixini support team. Contact information can typically be found on the packaging, the original purchase receipt, or the official Xixini website.

For additional resources, you may visit the [Xixini Store on Amazon](#).