

MSmask queen size bed frame with storage

MSmask Farmhouse Queen Bed Frame User Manual

MODEL: QUEEN SIZE BED FRAME WITH STORAGE

Brand: MSmask

1. Introduction

Thank you for choosing the MSmask Farmhouse Queen Bed Frame. This bed frame is designed to provide both comfort and functionality, featuring a bookcase headboard with storage cabinets, integrated LED lighting, a convenient charging station, and four under-bed storage drawers. This manual provides essential information for assembly, operation, maintenance, and troubleshooting to ensure safe and optimal use of your new bed frame.



Image 1.1: Fully assembled MSmask Farmhouse Queen Bed Frame in a bedroom setting.

2. Safety Information

Please read and understand all safety warnings and instructions before assembly and use. Failure to follow these instructions may result in injury or damage to the product.

- **Maximum Weight Capacity:** Do not exceed the maximum weight recommendation of 1000 pounds (453 kg) for the bed frame.
- **Assembly:** Always assemble the bed frame with at least two adults. Be cautious of sharp edges and pinch points during assembly.
- **Tools:** Use only the tools provided or recommended in the assembly instructions.
- **Electrical Safety:** Ensure the charging station is connected to a properly grounded power outlet. Do not overload the outlets. Keep liquids away from electrical components.
- **Children:** Keep small parts and packaging materials away from children to prevent choking hazards.
- **Placement:** Place the bed frame on a level, stable surface.

3. Package Contents

Before beginning assembly, ensure all parts and hardware are present. Refer to the detailed assembly instructions included in your package for a complete list of components. If any parts are missing or damaged, please contact customer service.

- Headboard components (bookcase, cabinets, LED strip, charging station)
- Side rails and footboard components
- Metal slat system and support legs
- Four storage drawers with wheels
- Assembly hardware (screws, bolts, nuts, etc.)
- Assembly tools (Allen wrench, etc.)
- User Manual and Assembly Instructions

4. Setup and Assembly

Assembly of the MSmask Farmhouse Queen Bed Frame requires careful attention to detail. It is highly recommended that **two adults** perform the assembly to ensure safety and ease. All necessary parts, detailed instructions, and tools are included in the package.

1. **Unpack and Organize:** Lay out all components on a clean, soft surface to prevent scratches. Verify all parts against the included parts list.
2. **Assemble Headboard:** Follow the step-by-step instructions to assemble the bookcase headboard, including the storage cabinets, LED light strip, and charging station.
3. **Assemble Bed Frame:** Connect the side rails to the headboard and footboard. Ensure all connections are secure.
4. **Install Slats:** Place the metal slats onto the bed frame. The U-shaped grooves facilitate easy assembly. Ensure EVA strips are in place to prevent noise.
5. **Assemble Drawers:** Construct the four storage drawers and install their wheels.
6. **Final Placement:** Position the bed frame in your desired location. Insert the assembled drawers under the bed.

QUEEN SIZE STORAGE BED FRAME

Noise Free 1000 LBS Weight Capacity

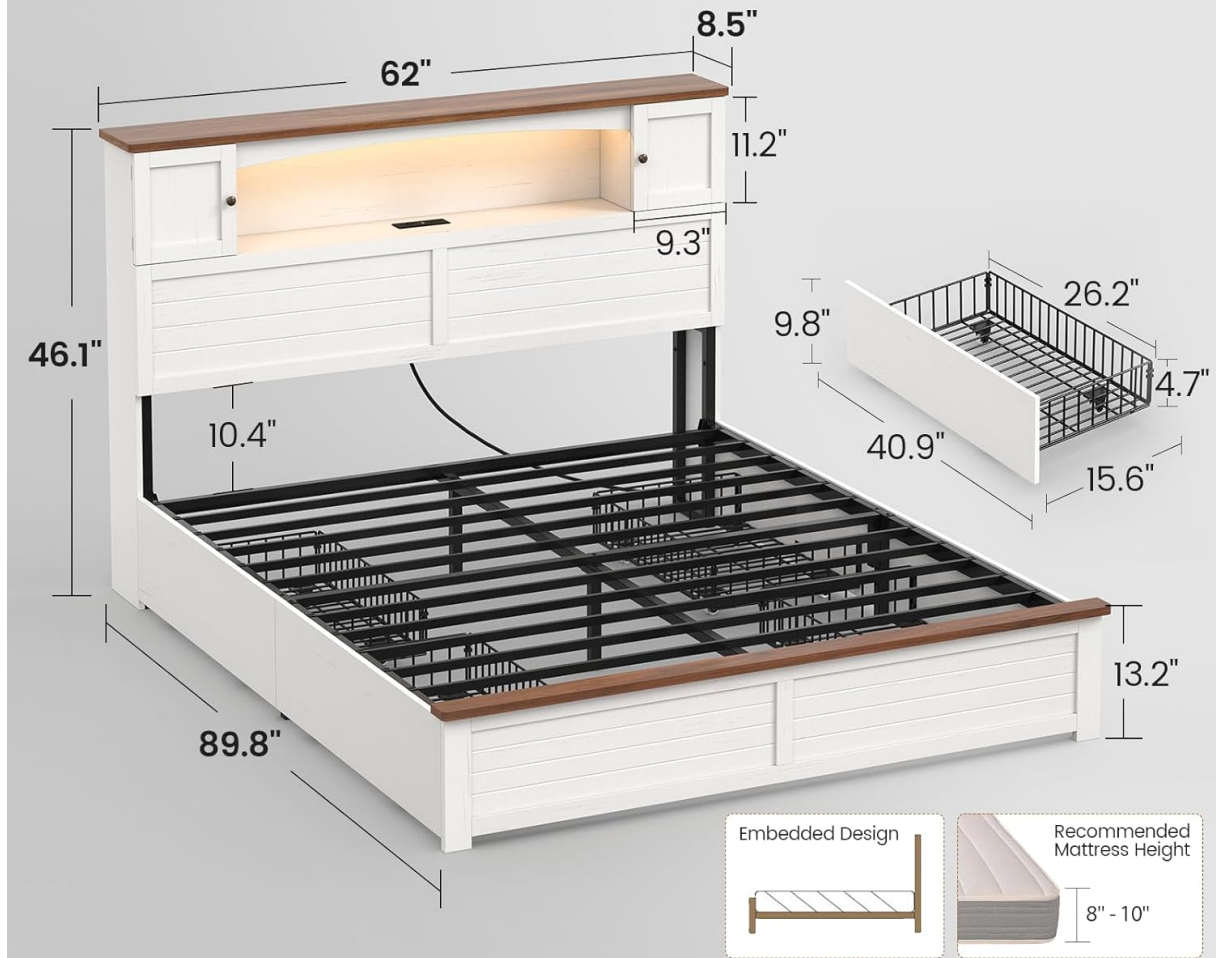


Image 4.1: Dimensional diagram of the MSmask Queen Bed Frame.

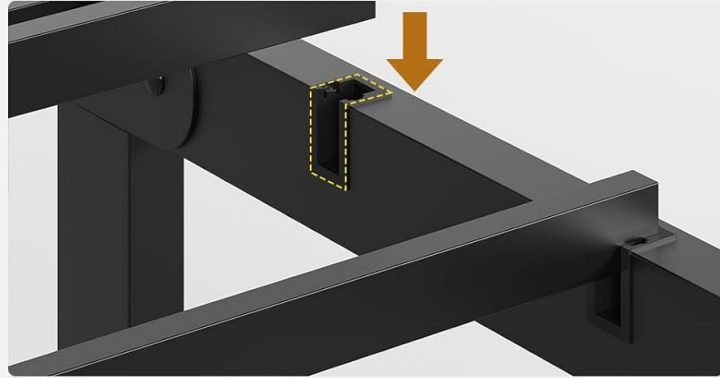


Noise Free

EVA sponge between the slats and the metal to reduce noise, Say goodbye to squeaks.

Easy to Assemble Slats

U-shaped grooves make assembly of metal slats a breeze



Embedded Design

The foot of the bed is raised to prevent the mattress from sliding

Image 4.2: Details of the noise-free slat system and embedded mattress design.

Assembly Video Guide

Your browser does not support the video tag.

Video 4.1: An official product video demonstrating the features and assembly process of the MSmask Farmhouse Bed Frame.

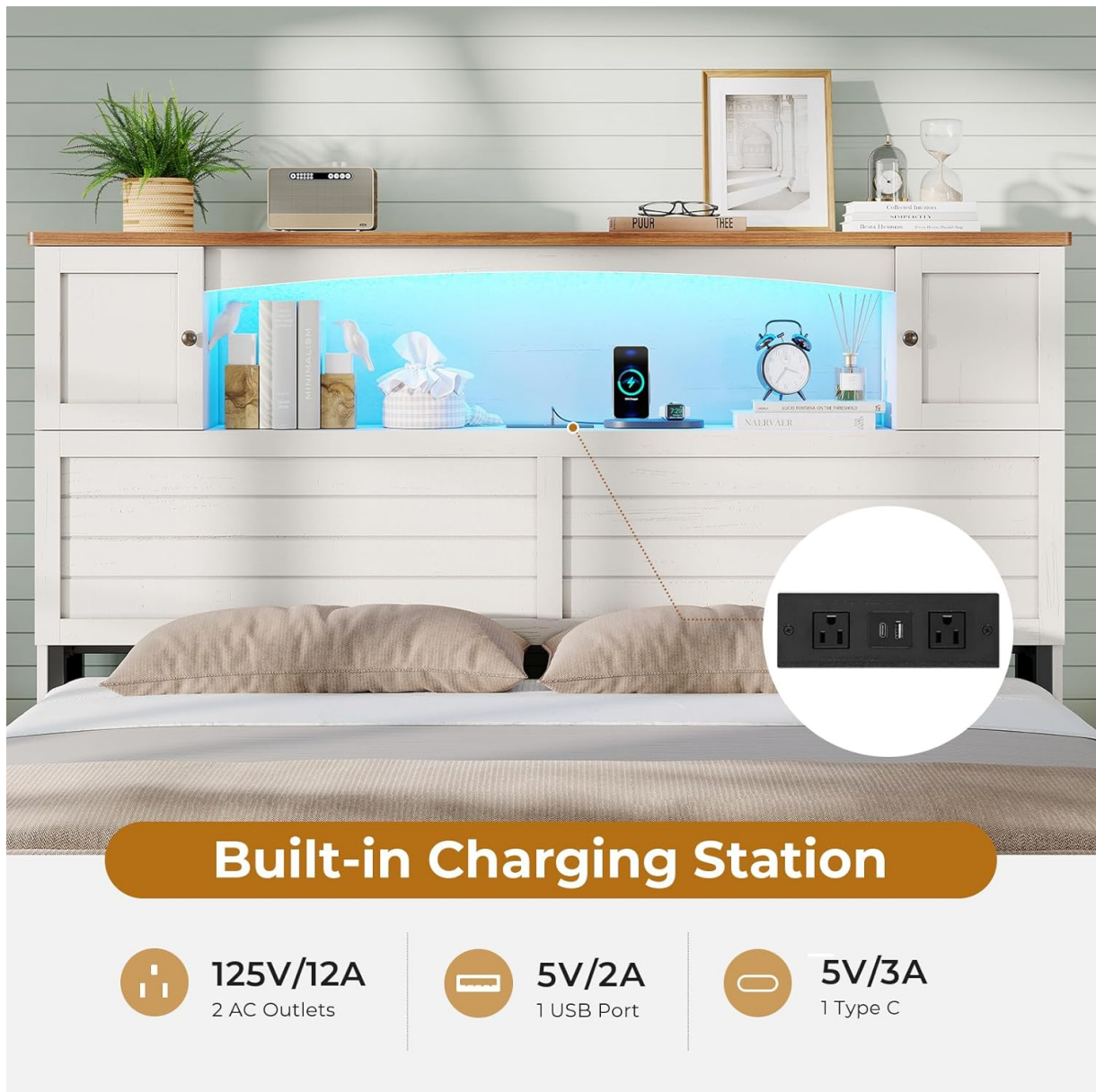
5. Operating Instructions

5.1. Charging Station

The headboard features a built-in charging station for your convenience. It includes:

- 2 Standard AC Outlets (125V/12A)
- 1 USB Port (5V/2A)
- 1 Type-C Port (5V/3A)

To use, simply plug the bed frame's power cord into a wall outlet. Then, connect your devices to the appropriate ports on the charging station.



Built-in Charging Station



125V/12A
2 AC Outlets



5V/2A
1 USB Port



5V/3A
1 Type C

Image 5.1: Detailed view of the headboard's built-in charging station.

5.2. LED Lights

The headboard is equipped with an RGB LED light strip offering extensive customization:

- **Color Options:** Over 60,000 colors available.
- **Modes:** Customizable settings for dynamic, music-synced, microphone, and timer modes.

Control the LED lights using the provided remote control or a compatible smartphone application. Refer to the separate LED light instruction sheet for detailed pairing and mode selection.



Image 5.2: The bed frame with its LED lights activated, showcasing various color options.

5.3. Storage Features

This bed frame offers multiple storage solutions:

- **Bookcase Headboard:** Features 2 cabinets and 3 large hidden compartments for books, pillows, and other bedside items.
- **Under-bed Drawers:** Four large storage drawers provide ample space for linens, out-of-season clothing, and other belongings. These drawers are equipped with sliding wheels for easy access.



Various Storage Spaces



With Sliding Wheels



Fixed Devices

Image 5.3: Overview of the headboard's hidden compartments and the under-bed storage drawers.



4 Large Capacity Drawers

Provide ample under-bed storage for linens, out-of-season clothing, and sundries.

2 Storage Cabinets

Featuring 2 compartments with doors for personal belongings.



Image 5.4: Close-up view of the four large capacity under-bed storage drawers.

6. Maintenance

Proper care will extend the life and appearance of your bed frame.

- **Cleaning:** Wipe surfaces with a soft, damp cloth. Avoid harsh chemicals or abrasive cleaners that may damage the finish.
- **Dusting:** Regularly dust the bed frame, especially the headboard and storage areas, to prevent buildup.
- **Hardware:** Periodically check all bolts and screws to ensure they remain tight. Retighten as necessary.
- **Electrical Components:** Keep the charging station and LED lights free from dust. Do not attempt to repair electrical components yourself.
- **Drawer Rails:** Keep drawer rails clean and free of obstructions for smooth operation.

7. Troubleshooting

Refer to the table below for common issues and their solutions.

Problem	Possible Cause	Solution
Bed frame squeaks	Loose hardware; metal-on-metal friction	Tighten all bolts and screws. Ensure EVA strips are correctly placed between slats and frame.
Charging station not working	Power cord unplugged; overloaded circuit; faulty device	Check if the bed frame's power cord is securely plugged into a working outlet. Unplug and replug devices. Try a different device to rule out device fault.
LED lights not responding	Remote battery low; LED strip unplugged; remote not paired	Replace remote battery. Check LED strip connection. Refer to LED light instructions for pairing.
Drawers do not slide smoothly	Obstruction in rails; damaged wheels; uneven floor	Check for debris in drawer rails. Inspect wheels for damage. Ensure the bed frame is on a level surface.

If you encounter issues not listed here or require further assistance, please contact customer support.

8. Specifications

Feature	Detail
Size	Queen
Material	Engineered Wood, Metal
Product Dimensions (L x W x H)	89.8" x 62" x 46.1"
Weight	127.2 Pounds
Maximum Weight Recommendation	1000 Pounds
Headboard Features	Bookcase, 2 Storage Cabinets, 3 Hidden Compartments, LED Lights, Charging Station
Charging Station Output	2 AC Outlets (125V/12A), 1 USB Port (5V/2A), 1 Type-C Port (5V/3A)
Under-bed Storage	4 Large Drawers with Wheels
Assembly Required	Yes
Color	White

9. Warranty and Support

MSmask is committed to providing high-quality products and customer satisfaction. While specific warranty details are not provided in this document, please retain your proof of purchase for any warranty claims.

For any questions, missing parts, assembly assistance, or support, please contact our professional customer service team. They typically respond within 24 hours.

Customer Service Contact: Refer to the contact information provided with your purchase or on the official MSmask website.

© 2026 MSmask. All rights reserved.