



Manuals.plus /

- › MSmask /
- › MSmask Twin Farmhouse Bed Frame User Manual

## MSmask Twin Bed with Storage

# MSmask Twin Farmhouse Bed Frame User Manual

Model: Twin Bed with Storage

Brand: MSmask

---

## INTRODUCTION

This manual provides comprehensive instructions for the assembly, operation, and maintenance of your MSmask Twin Farmhouse Bed Frame. This bed frame features a bookcase headboard with integrated storage, LED lighting, a convenient charging station, and four under-bed storage drawers. Please read these instructions carefully before assembly and use to ensure safe and proper operation.



*Figure 1: Overview of the MSmask Twin Farmhouse Bed Frame. This image displays the complete bed frame with its bookcase headboard, LED lighting, and under-bed storage drawers.*

## **SAFETY INFORMATION**



To prevent injury or damage to the product, adhere to the following safety guidelines:

- Do not exceed the maximum weight limit of **800 pounds**.
- Exercise caution around sharp edges during assembly and use.
- Follow all assembly instructions precisely to prevent instability or collapse of the bed frame.
- Ensure all connections are secure before use.
- Keep small parts away from children during assembly.

## **SPECIFICATIONS**

Feature	Detail
Brand	MSmask
Model Number	Twin Bed with Storage
Size	Twin
Product Dimensions (L x W x H)	84.6" x 40.7" x 46.1"
Weight Capacity	800 lbs
Material	Engineered Wood, Metal Slats
Color	Grey
Headboard Features	Bookcase with 2 cabinets, 3 hidden compartments, LED lights, Charging Station
Charging Station	1 Type-C port, 1 USB port, 2 Standard AC Outlets (125V/12A)
LED Lights	RGB, 60,000+ colors, dynamic, music-synced, microphone, timer modes
Storage	4 Under-bed drawers
Assembly Required	Yes

# TWIN SIZE STORAGE BED FRAME

 Noise Free  800 LBS Weight Capacity

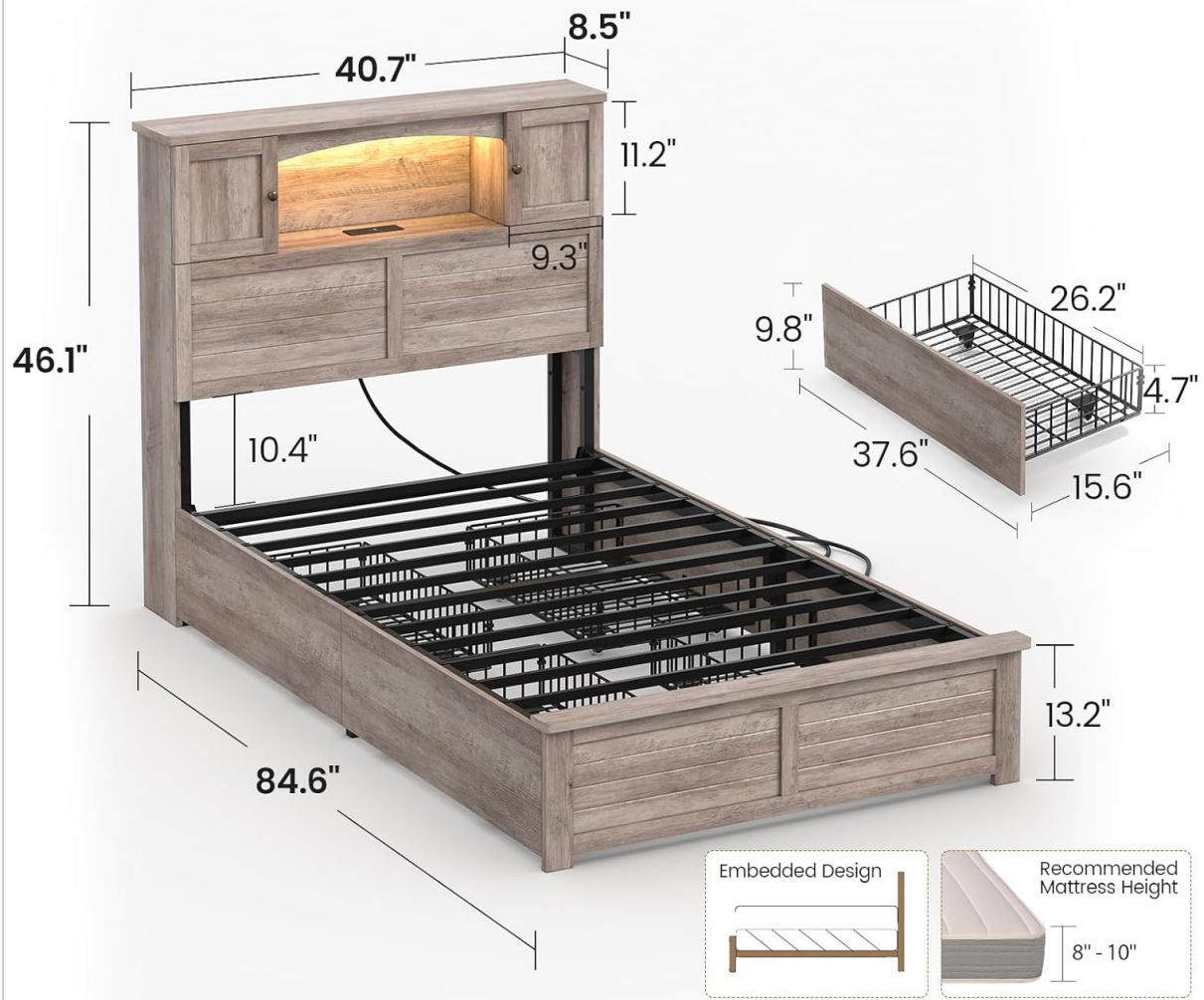


Figure 2: Detailed dimensions and weight capacity of the bed frame. This image illustrates the specific measurements of the headboard, frame, and drawers, along with the 800 lbs weight capacity.

## SETUP AND ASSEMBLY

The MSmask Twin Farmhouse Bed Frame requires assembly. All necessary numbered parts, detailed assembly instructions, and tools are included in the packaging. It is recommended to have two people for assembly to ensure ease and safety.

- 1. Unpack Components:** Carefully unpack all parts and lay them out on a clean, soft surface to prevent scratches. Verify that all numbered parts are present according to the included parts list.
- 2. Follow Instructions:** Refer to the step-by-step assembly manual provided with your product. Each step is illustrated to guide you through the process.
- 3. Secure Connections:** Ensure all screws, bolts, and fasteners are tightened securely. Do not overtighten to avoid damaging the wood.
- 4. Install Slats:** The bed frame features a center-supported slat system. Install the metal slats into the U-shaped grooves. EVA strips are included to prevent noise from metal-to-metal friction.
- 5. Attach Drawers:** Assemble and attach the four under-bed storage drawers. Ensure they slide smoothly.
- 6. Connect Electrical Components:** Carefully connect the LED light strip and charging station according to the instructions.

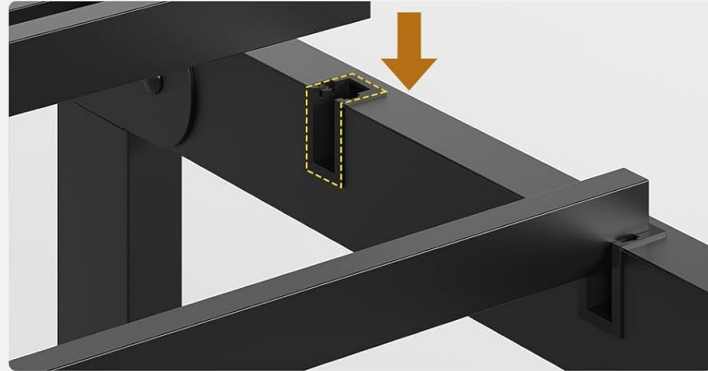


## Noise Free

EVA sponge between the slats and the metal to reduce noise, Say goodbye to squeaks.

## Easy to Assemble Slats

U-shaped grooves make assembly of metal slats a breeze



## Embedded Design

The foot of the bed is raised to prevent the mattress from sliding

Figure 3: Illustration of noise-free design and easy slat assembly. This image highlights the EVA strips for noise reduction and the U-shaped grooves for simple metal slat installation.

## OPERATING INSTRUCTIONS

### Bookcase Headboard and Storage Cabinets

The headboard is designed with multiple storage options:

- **Top Platform:** Use the top surface for decorative items, alarm clocks, or small personal belongings.
- **Storage Cabinets:** Two cabinets with antique bronze handles are located on either side of the headboard, providing enclosed space for personal items.
- **Hidden Compartments/Bookcases:** The central section of the headboard features three large hidden compartments, ideal for storing books, pillows, or other bedside essentials. These compartments are accessed by lifting the front panel.

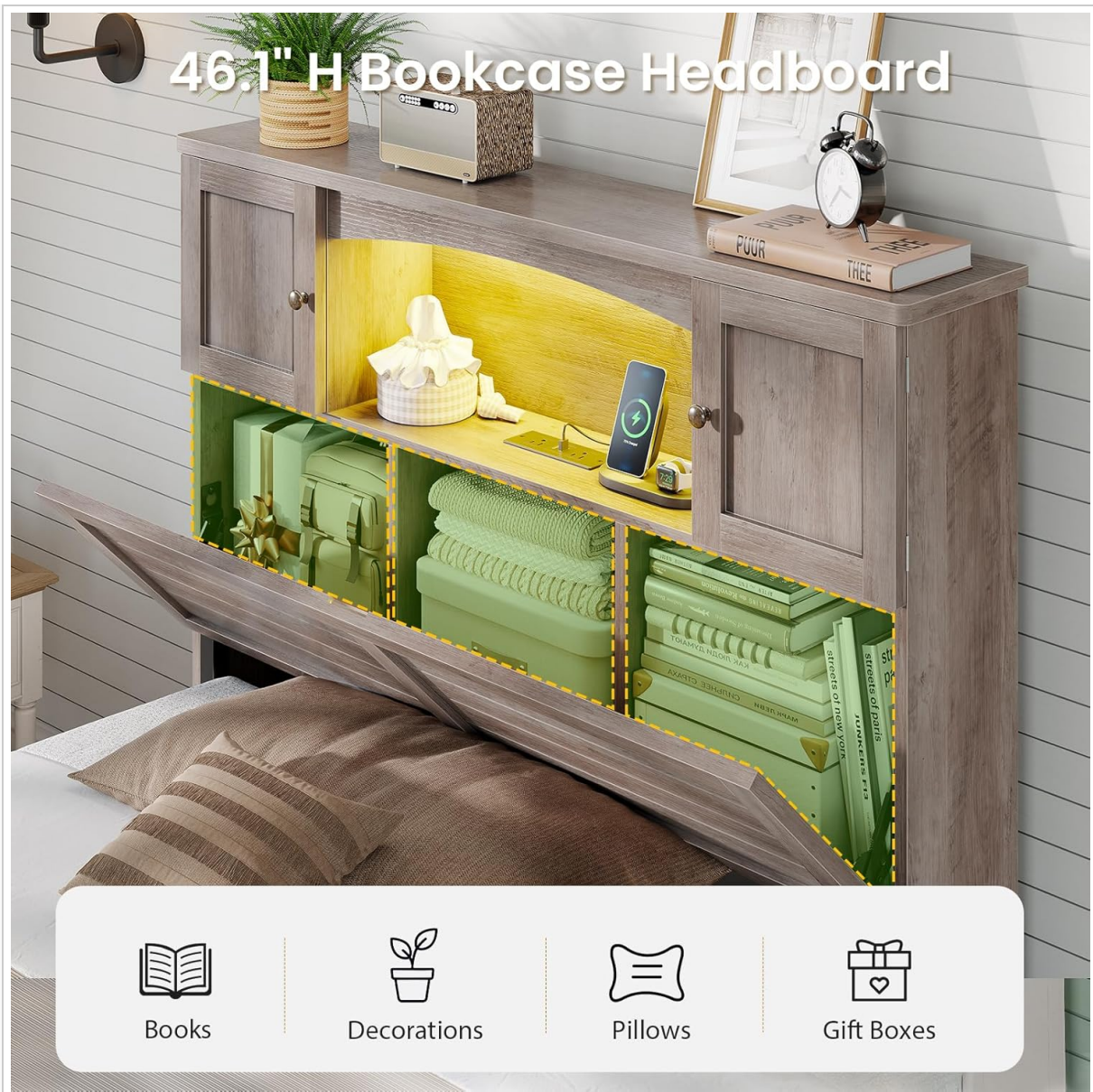


Figure 4: Close-up of the bookcase headboard showing storage compartments. This image details the two side cabinets and the central hidden compartments for books and other items.

### Built-in Charging Station

The headboard includes a built-in charging station for your electronic devices:

- **AC Outlets:** Two standard 125V/12A AC outlets are provided for powering bedside lamps or other appliances.
- **USB Port:** One 5V/2A USB port is available for charging smartphones and other USB-powered devices.
- **Type-C Port:** One 5V/3A Type-C port offers faster charging for compatible devices.

To use, simply plug your device's charging cable into the appropriate port on the headboard.



## Built-in Charging Station



**125V/12A**  
2 AC Outlets



**5V/2A**  
1 USB Port



**5V/3A**  
1 Type C

Figure 5: The integrated charging station on the headboard. This image shows the two AC outlets, one USB port, and one Type-C port for convenient device charging.

### RGB LED Lights

The headboard features an RGB LED light strip with extensive customization options:

- **Color Selection:** Choose from over 60,000 colors to match your preference or mood.
- **Dynamic Modes:** Explore various pre-set dynamic lighting effects.
- **Music-Synced Mode:** The lights can synchronize with music, reacting to beats and rhythms.
- **Microphone Mode:** Lights respond to ambient sounds detected by a built-in microphone.
- **Timer Function:** Set a timer for the lights to automatically turn on or off.
- **Control:** The LED lights can be controlled via a dedicated app on your smartphone or with the included remote control.



Figure 6: The RGB LED lighting feature of the bed frame. This image displays the LED lights in operation and illustrates the control options via app and remote.

### Under-bed Storage Drawers

The bed frame includes four large storage drawers located under the bed. These drawers are designed to provide ample space for linens, out-of-season clothing, or other items. They feature sliding wheels for easy access and fixed devices to keep them in place when closed.



## 4 Large Capacity Drawers

Provide ample under-bed storage for linens, out-of-season clothing, and sundries.

## 2 Storage Cabinets

Featuring 2 compartments with doors for personal belongings.



Figure 7: View of the four large capacity under-bed storage drawers. This image demonstrates the spaciousness of the drawers for storing various items.

## MAINTENANCE

- **Cleaning:** Wipe the bed frame surfaces with a soft, damp cloth. Avoid harsh chemicals or abrasive cleaners that may damage the finish.
- **Hardware Check:** Periodically check all screws and bolts to ensure they remain tight. Retighten as necessary to maintain stability.
- **Drawer Maintenance:** Ensure the drawer wheels are free of debris for smooth operation.
- **Electrical Components:** Do not attempt to repair the charging station or LED lights yourself. Contact customer service for assistance.

## TROUBLESHOOTING

Problem	Possible Cause	Solution
Bed frame is wobbly or unstable.	Loose connections or incorrect assembly.	Check all screws and bolts; tighten them securely. Review assembly instructions to ensure all parts are correctly installed.
Squeaking noises from the bed frame.	Metal-to-metal friction or loose slats.	Ensure EVA strips are properly placed between metal slats and frame. Tighten all slat connections.
Charging station not working.	Power cable not connected, outlet issue, or device incompatibility.	Verify the bed frame's power cable is securely plugged into a functional wall outlet. Test with a different device. If issues persist, contact customer service.
LED lights not functioning.	Power connection issue, remote/app problem, or light strip malfunction.	Check power connection to the LED strip. Ensure remote control batteries are functional or app is correctly paired. If problem continues, contact customer service.
Drawers do not slide smoothly.	Obstruction in tracks or incorrect assembly.	Clear any debris from the drawer tracks. Recheck drawer assembly to ensure all components are correctly aligned.

## WARRANTY AND SUPPORT

MSmask is committed to providing quality products and customer satisfaction. If you encounter any issues or have questions regarding your MSmask Twin Farmhouse Bed Frame, please do not hesitate to contact our professional customer service team.

Our customer service team aims to respond within **24 hours** to assist you with any concerns, including missing parts, assembly difficulties, or product defects.

For support, please refer to the contact information provided in your product packaging or visit the official MSmask website.