

Manuals+

[Q & A](#) | [Deep Search](#) | [Upload](#)

[manuals.plus](#) /

› [MSmask](#) /

› [MSmask Farmhouse Twin Bed Frame Instruction Manual with Bookcase, Storage, LED Lights, and Charging Station](#)

MSmask twin bed with storage

MSmask Farmhouse Twin Bed Frame Instruction Manual

MODEL: TWIN BED WITH STORAGE

1. Product Overview

The MSmask Farmhouse Twin Bed Frame is designed to provide both comfort and practical storage solutions. It features a bookcase headboard with integrated LED lighting and a charging station, along with four under-bed storage drawers. This platform bed is constructed from engineered wood and metal, designed for stability and durability without requiring a box spring.



Image 1.1: Overall view of the MSmask Farmhouse Twin Bed Frame, showcasing the headboard, mattress, and open under-bed drawers.

2. Safety Information

Please read and understand all safety warnings and assembly instructions before beginning assembly. Failure to follow these instructions may result in injury or damage to the product.

- **Weight Limit:** Do not exceed the maximum weight recommendation of 800 pounds.
- **Assembly:** Always follow the assembly instructions carefully to ensure the bed frame's stability and prevent any potential collapse or injury. It is recommended that two adults assemble this product.
- **Electrical Safety:** Ensure all electrical connections for the charging station and LED lights are properly secured and conform to local electrical codes. Do not overload the outlets.

3. Package Contents

Verify that all components listed below are present before beginning assembly. If any parts are missing or damaged, please contact customer service.

- Headboard components (bookcase, cabinets, charging station, LED strip)
- Footboard
- Side rails
- Metal slat system (12 metal slats)
- Support legs (9 supporting legs)

- 4 Storage drawers with sliding wheels and fixed devices
- EVA strips (for noise reduction)
- Assembly hardware (screws, bolts, etc.)
- Assembly tools (basic wrench, hex key)
- Detailed assembly instructions manual

4. Assembly Instructions

Refer to the detailed assembly instructions included in your package for step-by-step guidance. The following provides general tips and highlights:

1. **Preparation:** Clear a spacious area for assembly. Lay out all parts and hardware, ensuring they are numbered correctly as per the manual.
2. **Team Assembly:** While possible for one person, assembly is significantly easier and safer with two people.
3. **Headboard Assembly:** Begin with the headboard, attaching the bookcase and cabinets. Ensure the charging station and LED light strip are correctly installed according to the manual.
4. **Frame Construction:** Assemble the side rails, footboard, and support legs.
5. **Slat Installation:** The metal slats feature U-shaped grooves for simplified assembly. Ensure EVA strips are placed between the slats and metal frame to prevent noise.
6. **Drawer Assembly:** Assemble the four storage drawers, ensuring the sliding wheels and fixed devices are correctly installed for smooth operation.

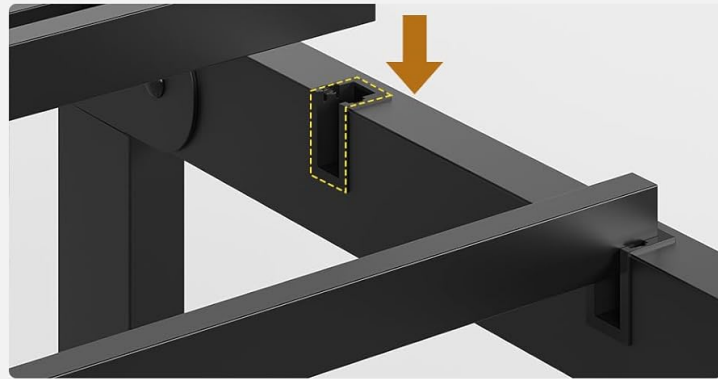


Noise Free

EVA sponge between the slats and the metal to reduce noise, Say goodbye to squeaks.

Easy to Assemble Slats

U-shaped grooves make assembly of metal slats a breeze



Embedded Design

The foot of the bed is raised to prevent the mattress from sliding

Image 4.2: Close-up views detailing the noise-free EVA sponge, easy-to-assemble U-shaped slat grooves, and embedded mattress design.

5. Operating Instructions

5.1. LED Lights

The headboard features an RGB LED light strip with over 60,000 color options. Control the lights using the provided remote control or a compatible smartphone application. Customizable settings include dynamic modes, music-synced lighting, microphone response, and timer functions.



Image 5.1: The bed frame with active RGB LED lighting, showing the remote control and app interface for customization.

5.2. Charging Station

The built-in charging station provides convenient power access. It includes:

- 2 Standard AC Outlets (125V/12A)
- 1 USB Port (5V/2A)
- 1 Type-C Port (5V/3A)

Connect your electronic devices such as phones, tablets, or bedside lamps directly to the charging station.



Image 5.2: Close-up of the integrated charging station with AC outlets, USB, and Type-C ports.

6. Maintenance

- **Cleaning:** Wipe surfaces with a soft, damp cloth. Avoid harsh chemicals or abrasive cleaners that may damage the finish.
- **Hardware Check:** Periodically check all bolts and screws to ensure they remain tight. Re-tighten as necessary to maintain stability.
- **Drawer Care:** Keep drawer tracks clean and free of debris for smooth operation.

7. Troubleshooting

- **Squeaking Noises:** Ensure all metal slats are properly seated in their U-shaped grooves and that the EVA strips are correctly positioned to prevent metal-on-metal friction. Check all frame connections for tightness.
- **Drawers Not Fitting/Aligning:** Re-examine the drawer assembly steps in the manual. Ensure all components are oriented correctly and fully secured. Verify that the sliding wheels are properly installed.
- **LED Lights/Charging Station Not Working:** Check that the power cord is securely plugged into a functional wall outlet and into the bed frame's power input. Ensure all internal connections for the

LED strip and charging station are firm.

8. Specifications

Feature	Detail
Brand	MSmask
Model Number	twin bed with storage
Size	Twin
Product Dimensions	84.6"L x 40.7"W x 46.1"H
Material	Engineered Wood
Color	White
Weight Capacity	800 lbs
Headboard Features	Bookcase with 2 cabinets, 3 hidden compartments, RGB LED lights, Charging Station (2 AC, 1 USB, 1 Type-C)
Storage	4 large under-bed drawers
Mattress Compatibility	Twin size, 8"-10" recommended height
Assembly Required	Yes

9. Warranty and Support

For any questions, concerns, or assistance with your MSmask Farmhouse Twin Bed Frame, please contact our customer service team. Our professional customer service team aims to respond to inquiries within 24 hours.

Please refer to your purchase documentation for specific warranty details.