



[Manuals.plus](#) /

› [HOOBRO](#) /

› HOOBRO BB62XG01 30-inch Narrow Console Table Instruction Manual

HOOBRO BB62XG01

HOOBRO BB62XG01 30-inch Narrow Console Table Instruction Manual

INTRODUCTION

Thank you for choosing the HOOBRO BB62XG01 30-inch Narrow Console Table. This manual provides essential information for the safe assembly, use, and maintenance of your new furniture. Please read these instructions carefully before beginning assembly and retain them for future reference.



Image: The HOOBRO 30-inch Narrow Console Table, featuring three tiers, styled in a living room with various decorative items.

SAFETY INFORMATION

- Strictly follow the instructions for the assembly of the console table.
- Position the table away from water, fire, and high-temperature environments for storage and use.
- Climbing or standing on the console table is not permitted for safety reasons.

PACKAGE CONTENTS

Before assembly, please verify that all components listed below are present and undamaged:

- Installation Tool (e.g., Allen Key, Screwdriver)
- Assembly Guide
- Anti-tip Kit
- All furniture components (particleboard shelves, metal frame parts, adjustable feet, screws, etc.)

ASSEMBLY INSTRUCTIONS

The HOOBRO BB62XG01 console table is designed for easy assembly. Each part is clearly numbered, and a detailed step-by-step assembly guide is included in the package. Please refer to the separate Assembly Guide for specific

instructions and diagrams.

1. Unpack all components and lay them out on a clean, soft surface to prevent scratches.
2. Identify each part by comparing it with the parts list in the Assembly Guide.
3. Follow the numbered steps in the Assembly Guide carefully.
4. Use the provided installation tools for assembly.
5. Ensure all screws are tightened securely, but do not overtighten.
6. Attach the anti-tip kit to the wall as instructed to prevent accidental tipping.

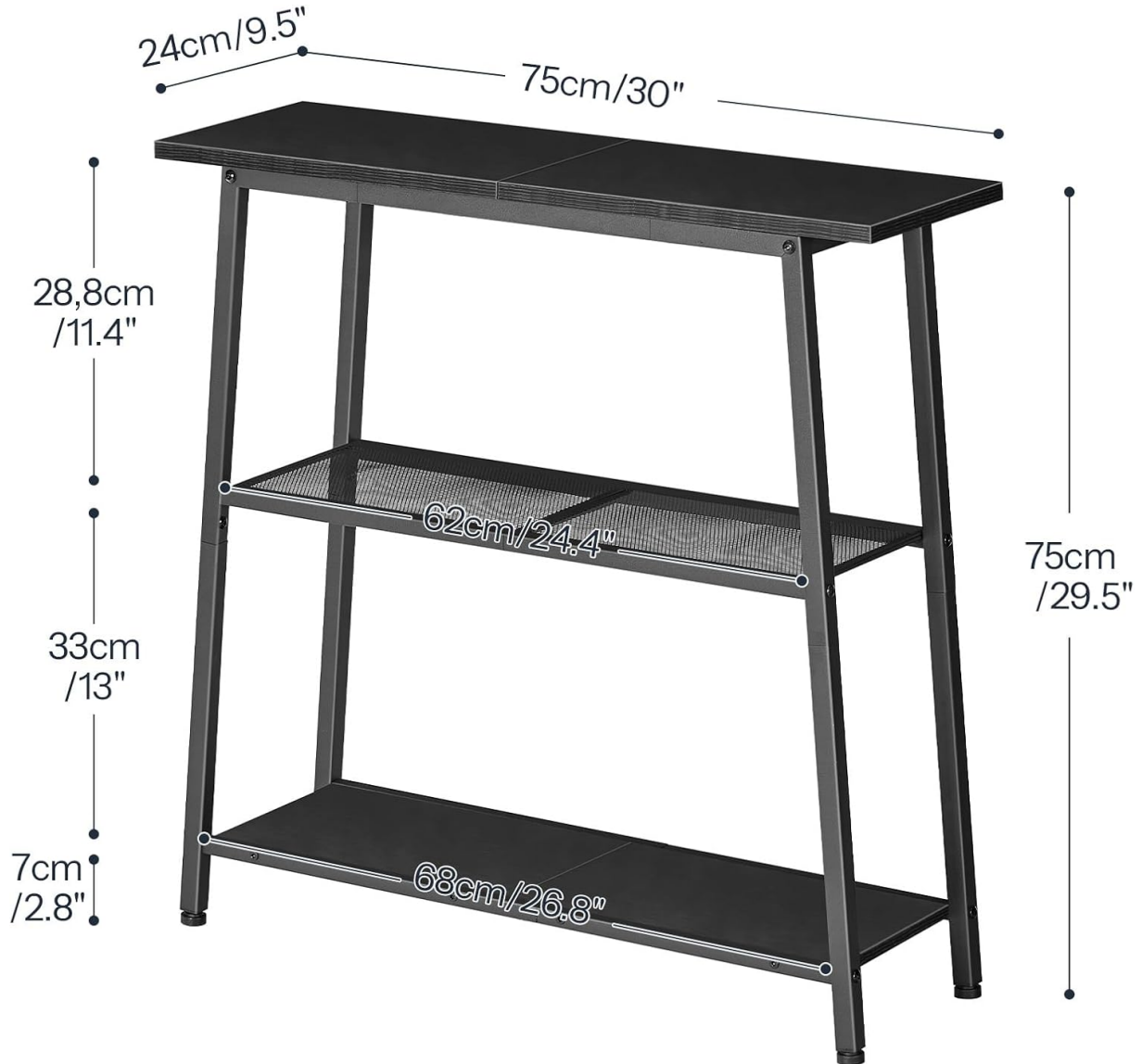


Image: A diagram illustrating the dimensions of the console table, including length, width, and height of each tier.



Sturdy Metal Frame

The inclined metal legs form a sturdy structure, providing both aesthetics and stability.

Image: A close-up showing the sturdy metal frame and the A-shaped inclined metal legs, highlighting the table's structural design.

USAGE

The HOOBRO BB62XG01 console table is a versatile piece of furniture designed for various uses in your home:

- **Multi-Functional Use:** This 3-tier narrow console table measures 30"L x 9.5"W x 30"H, making it suitable as a sofa table, hallway table, or entryway organizer. Its height allows for easy access to items like remote controls or coasters.
- **3-Tier Storage:** The three open storage shelves provide ample space for displaying decor, books, or organizing daily essentials. The design helps keep items neatly categorized, enhancing both aesthetics and practicality.



Image: The console table positioned behind a sofa, showcasing its use as a sofa table.



Image: Two console tables arranged together in an entryway, demonstrating their use as hallway tables.

Product Videos

Your browser does not support the video tag.

Video: An overview of the HOOBRO 30-inch Narrow Console Table, highlighting its 3-tier design and suitability as a behind-couch table.

Your browser does not support the video tag.

Video: A demonstration of the HOOBRO 30-inch Narrow Console Table with its storage shelves, showcasing its practical features.

MAINTENANCE

To ensure the longevity and appearance of your HOOBRO console table, follow these maintenance guidelines:

- Wipe surfaces with a soft, damp cloth. Avoid abrasive cleaners or harsh chemicals.
- Promptly clean up spills to prevent staining.
- Periodically check and tighten all screws and fasteners to maintain stability.
- Avoid placing hot items directly on the surface; use coasters or protective pads.
- Keep the table away from direct sunlight and extreme temperature changes to prevent material damage.

TROUBLESHOOTING

If you encounter any issues with your console table, refer to the following common solutions:

- **Table is wobbly:** Ensure all screws are securely tightened. Adjust the four adjustable feet on the bottom of the legs to level the table on uneven floors.
- **Missing parts:** Double-check the packaging and compare with the parts list in the Assembly Guide. If parts are still missing, contact HOOBRO customer support.
- **Difficulty assembling:** Review the Assembly Guide carefully. Ensure you are using the correct screws and parts for each step. Do not force components together.



Image: Detailed view of the table's features, including the premium particleboard top, the sturdy wire-mesh middle shelf, and the adjustable feet for stability.

SPECIFICATIONS

Feature	Detail
Brand	HOOBRO
Model Number	BB62XG01
Product Dimensions (L x W x H)	30" x 9.5" x 30" (75cm x 24cm x 75cm)

Item Weight	5.8 Kilograms
Maximum Weight Recommendation	10 Kilograms (22 lbs for middle wire-mesh shelf)
Frame Material	Metal
Top Material Type	Engineered Wood (Particleboard)
Color	Black
Number of Tiers	3
Room Type	Hallway, Living Room, Entryway, Foyer, Bedroom, Study, Office
Assembly Required	Yes
Included Components	Installation Tool, Assembly Guide, Anti-tip Kit

WARRANTY AND SUPPORT

For warranty information, product support, or to purchase replacement parts, please contact HOOBRO customer service through the retailer where the product was purchased or visit the official HOOBRO website. Please have your model number (BB62XG01) and purchase details ready when contacting support.