

[Manuals.plus](#) /

› [PawHut](#) /

› PawHut Cat Wall Shelves (Model D30-898V00LG) Instruction Manual

## PawHut D30-898V00LG

# PawHut Cat Wall Shelves (Model D30-898V00LG) Instruction Manual

*Model: D30-898V00LG*

## PRODUCT OVERVIEW

---

The PawHut Cat Wall Shelves set provides a multi-level activity center for your cats, designed to be mounted on a wall. This 4-piece furniture set includes a condo, scratching posts, a hammock, and various platforms, offering spaces for climbing, jumping, playing, and resting. The design aims to save floor space while providing an engaging environment for indoor cats.



Image: PawHut Cat Wall Shelves installed in a living room, with cats interacting with the various components and a person relaxing nearby.

### Key Features:

- **Stable and Safe Construction:** Made from thick particle board with stable hardware, each level supports up to 5 kg, suitable for 1-3 cats.
- **Comprehensive Activity Center:** Features a condo, hammock, multiple platforms, a bed, and hanging toys for varied cat activities.
- **Space-Saving Design:** Utilizes vertical wall space, ideal for smaller living areas, and helps reduce clutter.
- **Furniture Protection:** Integrated scratching posts provide an appropriate outlet for cats to sharpen claws, diverting attention from household furniture.
- **Aesthetic Appeal:** Light grey plush with yellow accents complements modern interior designs.



Image: Close-up view of a cat resting on a wall-mounted shelf, emphasizing the thickened board construction and metal frame support for enhanced stability.

## SETUP AND INSTALLATION

Careful installation is crucial for the safety and stability of the cat wall shelves. Ensure you have all components and tools before beginning. The set is designed for wall mounting and requires appropriate wall types for secure attachment.

### Wall Type Compatibility:

This product is suitable for installation on the following wall types:

- Concrete
- Natural Dense Stone
- Solid Brick
- Solid Sand-lime Brick
- Lightweight Concrete
- Hollow Concrete Block

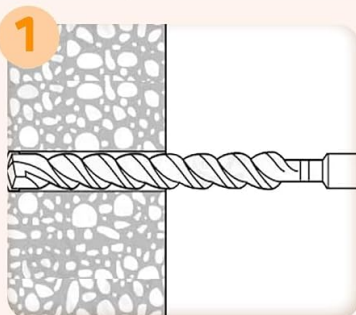
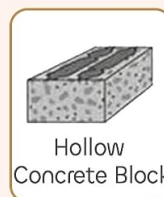
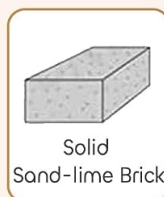
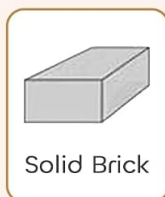
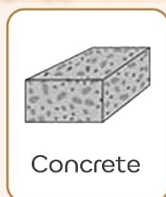
**Note:** Except for wood panel walls, which can be directly tapped with self-tapping screws, all other walls

need to be pre-buried with expansion tubes first, and the choice of fittings depends on the type.

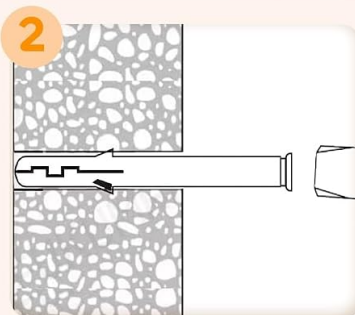
## INSTALLATION REQUIREMENTS AND INSTRUCTIONS



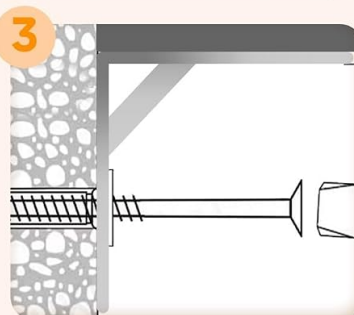
Apply to:



1. Drill a hole



2. Drive the plastic  
expansion tube to the hole



3. Tighten the nut  
to the required



**Note:** Except for wood panel walls, which can be directly tapped with self-tapping screws, all other walls need to be pre-buried with expansion tubes first, and the choice of fittings depends on the type

Image: Visual guide for wall installation, detailing the three main steps: drilling, inserting expansion tubes, and tightening the nut. Also shows compatible wall materials.

### General Installation Steps:

- 1. Prepare the Wall:** Identify the desired location for each component. Mark the drilling points accurately using a pencil and a level.
- 2. Drill Holes:** Using an appropriate drill bit for your wall type, drill holes at the marked positions. Ensure the depth and diameter match the provided expansion tubes.
- 3. Insert Expansion Tubes:** For non-wood walls, gently tap the plastic expansion tubes into the drilled holes until they are flush with the wall surface.
- 4. Attach Brackets/Components:** Align the mounting brackets or the components themselves with the holes. Insert the screws through the brackets/components and into the expansion tubes (or directly into wood studs).
- 5. Tighten Securely:** Use a screwdriver or drill to tighten the screws until the components are firmly secured to the wall. Do not overtighten.
- 6. Assemble Remaining Parts:** Attach any remaining elements like the hammock, bed, or hanging pompoms as per the detailed assembly instructions provided in the package.

Your browser does not support the video tag.

Video: A detailed demonstration of how to install wall-mounted cat shelves, covering the steps from marking to securing the components.

## OPERATING INSTRUCTIONS

The PawHut Cat Wall Shelves are designed to provide a stimulating and comfortable environment for your feline companions. Once installed, your cats can freely explore and utilize the various features.

### Usage Guidelines:

- **Climbing and Jumping:** Cats can use the platforms and steps to climb and jump, satisfying their natural instincts for vertical exploration.
- **Scratching:** The sisal-wrapped scratching posts are intended for claw maintenance. Encourage your cat to use these posts to protect other furniture.
- **Resting and Cuddling:** The hammock, bed, and enclosed condo provide cozy spots for napping, observing, and feeling secure.
- **Play:** Hanging pompoms and other integrated toys offer opportunities for interactive play and mental stimulation.

## WHY DO YOU NEED IT?



Image: Cats engaging with the various elements of the wall furniture, including platforms, hammocks, scratching posts, and the enclosed condo.

## MAINTENANCE

---

Regular maintenance helps ensure the longevity and hygiene of your cat's wall furniture.

### **Cleaning Instructions:**

- **Spot Clean Only:** For general cleaning, use a damp cloth and mild detergent to spot clean any soiled areas. Avoid saturating the material.
- **Vacuuming:** Regularly vacuum the plush surfaces to remove loose fur and dust.
- **Inspection:** Periodically check all components for wear and tear, especially the scratching posts and mounting hardware. Tighten any loose screws.

### **TROUBLESHOOTING**

---

If you encounter any issues with your PawHut Cat Wall Shelves, consider the following common solutions:

- **Instability:** If the shelves feel wobbly, re-check all mounting screws to ensure they are securely tightened. Verify that the wall type is appropriate and that expansion tubes (if used) are properly seated.
- **Cat Not Using Furniture:** Cats may need time to adjust to new items. Try placing treats or familiar toys on the shelves to encourage exploration. Catnip can also be used to attract them.
- **Damage to Components:** If scratching posts or plush surfaces become heavily damaged, consider replacing individual components if available, or monitor for safety hazards.
- **Missing Parts:** If any parts were missing upon delivery, contact customer support immediately for assistance.

### **SPECIFICATIONS**

---

# 4 PIECE CAT PARADISE

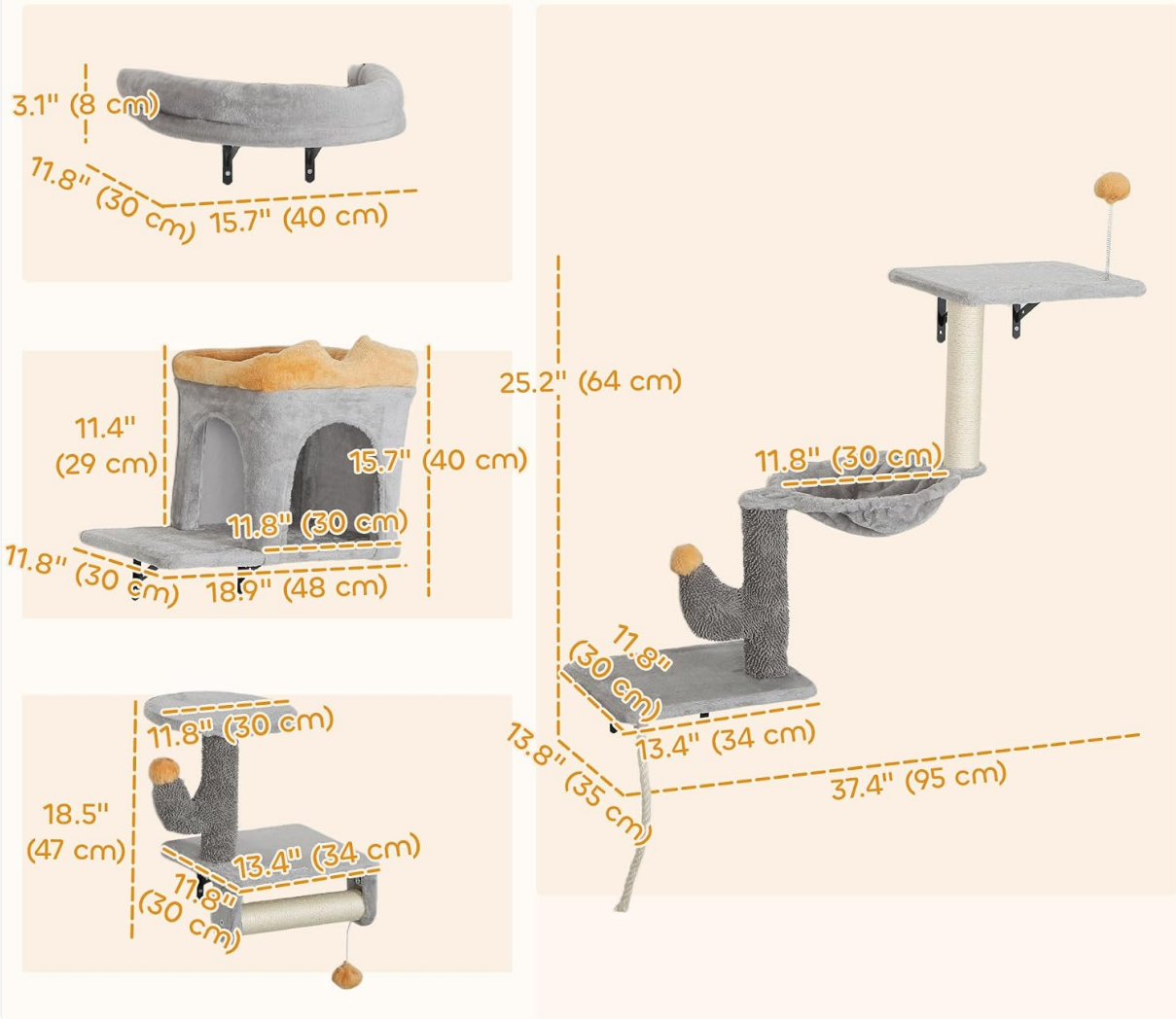


Image: Detailed dimensions for each of the four cat wall furniture components, including length, width, and height measurements.

Feature	Detail
<b>Model Number</b>	D30-898V00LG
<b>Product Dimensions (Overall)</b>	95L x 35W x 64H Centimetres
<b>Weight Capacity (Each Level)</b>	5 kg (approx. 11 lbs)
<b>Material</b>	Engineered Wood, Polyester, Sisal
<b>Colour</b>	Light Grey
<b>Mounting Type</b>	Wall Mount
<b>Number of Levels</b>	7
<b>Recommended Pet Type</b>	Cat (Medium breed recommendation)
<b>Specific Uses</b>	Climbing, Cuddling, Jumping, Scratching

Feature	Detail
Special Features	Anti-Scratch, Space-Saving, Tip Resistant
Included Components	Bed, Dangling Ball, Hammock, Instruction Manual
Country of Origin	China
UPC	673986448724

## WARRANTY INFORMATION

---

This PawHut Cat Wall Shelves set is covered by a **90-day warranty** against manufacturer defects. Please retain your proof of purchase for any warranty claims. The warranty covers defects in materials and workmanship under normal use.

## CUSTOMER SUPPORT

---

For further assistance, questions, or to report any issues, please contact the manufacturer:

**Manufacturer:** Aosom Canada

**Place of Business:** Markham, Ontario, CA

**Telephone:** 1-416-792-6088