



[Manuals.plus](#) /

› [Fanimation](#) /

› Fanimation TriAire Custom 60 inch Indoor/Outdoor Ceiling Fan User Manual

Fanimation FPD8514BS-60WEW

Fanimation TriAire Custom 60 inch Indoor/Outdoor Ceiling Fan User Manual

Model: FPD8514BS-60WEW

[Introduction](#)

[Safety Information](#)

[Package Contents](#)

[Setup](#)

[Operating](#)

[Maintenance](#)

[Troubleshooting](#)

[Specifications](#)

[Warranty](#)

[Support](#)

1. INTRODUCTION

This manual provides detailed instructions for the installation, operation, and maintenance of your Fanimation TriAire Custom 60 inch Indoor/Outdoor Ceiling Fan. This fan features a powerful 16-speed DC motor, smart Wi-Fi fanSync technology, and is wet-rated for versatile indoor and outdoor use. Please read all instructions carefully before beginning installation and retain this manual for future reference.



Image 1.1: Fanimation TriAire Custom 60 inch Ceiling Fan in Brushed Satin Brass with Weathered Wood Blades.



Image 1.2: Illustration of ceiling fan airflow for optimal air circulation.

2. SAFETY INFORMATION

WARNING: To reduce the risk of fire, electric shock, or personal injury, always follow these instructions:

- Read all instructions and safety information before installing your fan.
- All wiring must be in accordance with national and local electrical codes. Consult a qualified electrician if you are unsure about wiring.
- Ensure the installation site can support the fan's weight (approximately 17.3 lbs).
- Turn off power at the circuit breaker or fuse box before beginning installation to prevent electrical shock.
- Do not operate the fan with damaged blades or any other damaged components.
- Keep hands, clothing, and other objects clear of the fan blades when the fan is in operation.
- This fan is suitable for wet locations. Ensure all connections are properly sealed for outdoor use.

3. PACKAGE CONTENTS

Verify that all components are present before beginning installation:

- Fan Motor Assembly
- Fan Blades (3)
- Downrod (4.5 inches)
- Mounting Bracket / Canopy
- Remote Control with Wall Mount
- Hardware Pack (screws, washers, wire connectors)
- Instruction Manual

Note: An optional LED light kit is sold separately.

4. SETUP AND INSTALLATION

Proper installation is crucial for the safe and efficient operation of your ceiling fan. Follow these steps carefully.

4.1. Pre-Installation Considerations

- **Ceiling Height:** For optimal airflow, the fan blades should be 7 to 9 feet from the floor.
- **Electrical Box:** Ensure your electrical outlet box is securely mounted and capable of supporting the fan's weight.
- **Wiring:** Utilize the included KWIKWIRE connectors for quick and secure wiring without the need for traditional wire nuts.

4.2. Hanging Dimensions

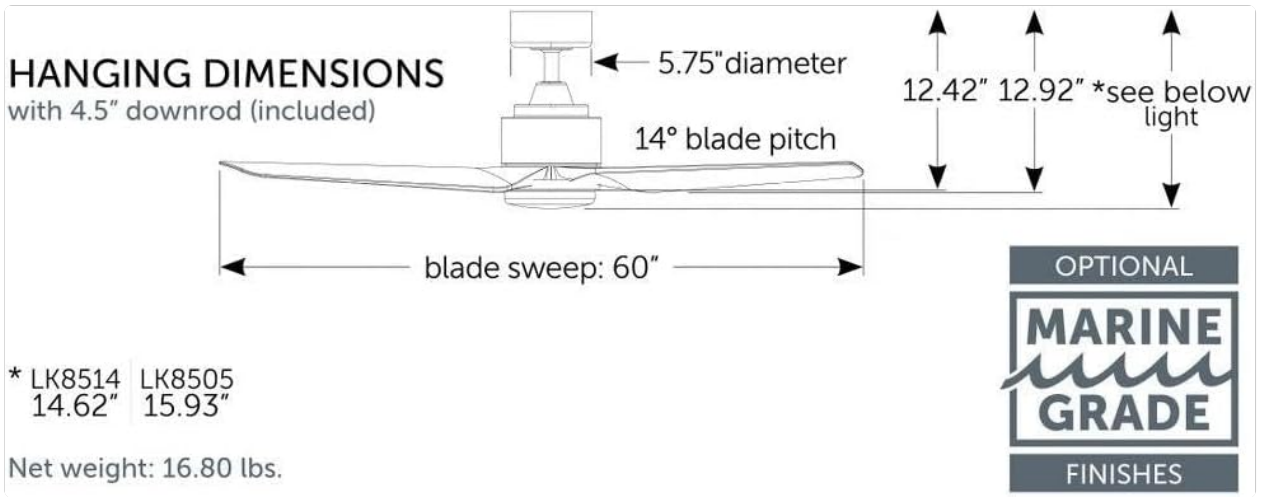


Image 4.1: Diagram showing the hanging dimensions of the Fanimation TriAire Custom fan, including the 4.5-inch downrod and 60-inch blade sweep.

4.3. Selecting Downrod Length for Flat Ceilings

The ideal distance from the floor to the fan blades is 7 to 9 feet. Use the provided 4.5-inch downrod for standard installations. For higher ceilings, optional longer downrods (up to 72 inches) are available to achieve the recommended hanging height.

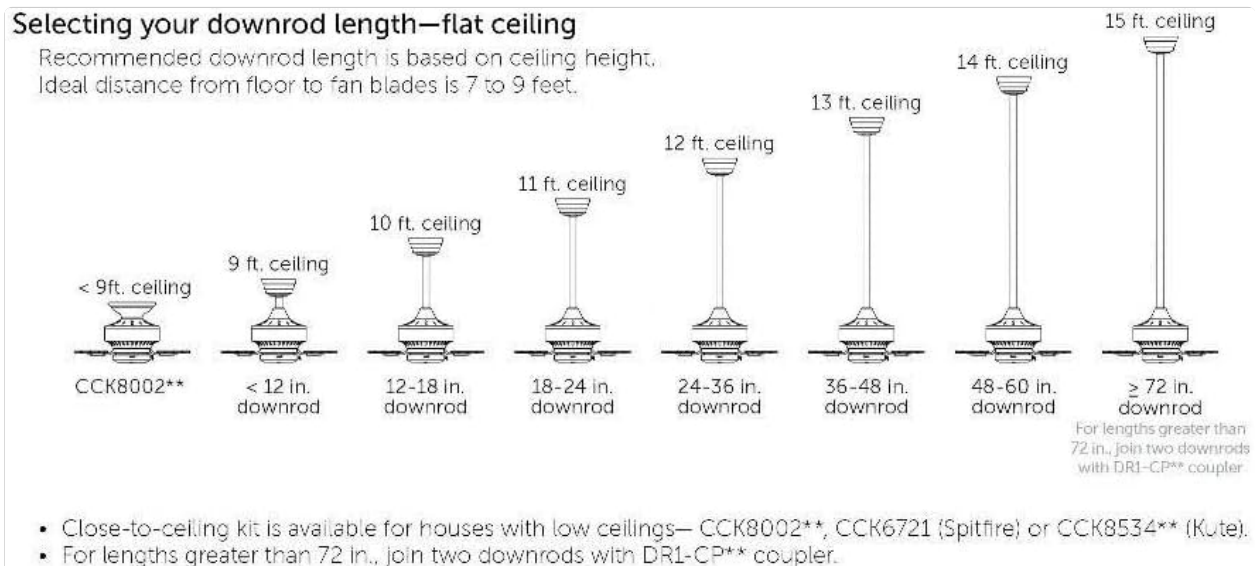


Image 4.2: Guide for selecting the appropriate downrod length based on ceiling height for flat ceilings.

4.4. Selecting Downrod Length for Sloped Ceilings

For sloped ceilings, the downrod length must be adjusted to ensure proper blade clearance and fan balance. Refer to the diagram and table below to determine the minimum required downrod length based on your ceiling's pitch and angle.

Selecting your downrod length—sloped ceiling

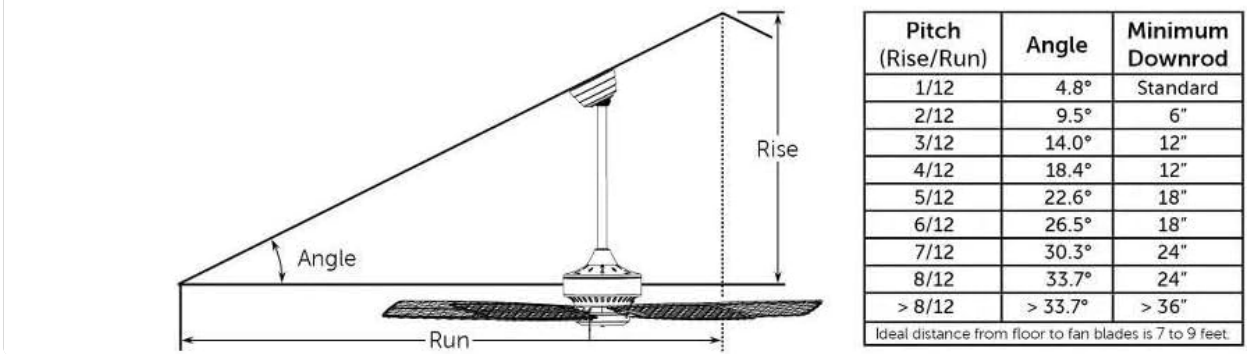


Image 4.3: Guide for selecting the appropriate downrod length based on ceiling pitch for sloped ceilings.

4.5. Wiring and Mounting

1. Secure the mounting bracket to the ceiling outlet box.
2. Thread the electrical wires through the downrod and canopy.
3. Attach the downrod to the motor assembly.
4. Hang the fan assembly onto the mounting bracket.
5. Connect the electrical wires using the KWIKWIRE connectors, ensuring proper grounding.
6. Secure the canopy to the mounting bracket.
7. Attach the fan blades to the motor assembly.

5. OPERATING INSTRUCTIONS

Your Fanimation TriAire Custom fan can be controlled via the included remote control or through the fanSync app and voice assistants.

5.1. Remote Control Operation

The remote control allows you to adjust the fan speed (16 settings), turn the fan on/off, and control an optional light kit (if installed). Refer to the remote control's specific instructions for pairing and function details.


5.2. Smart Wi-Fi fanSync Technology

The fanSync technology allows for control via a smartphone app and integration with smart home systems like Google Home and Amazon Alexa.

1. **Install fanSync Wi-Fi receiver:** Wire and install the fanSync Wi-Fi receiver into your ceiling fan's hanger bracket/canopy.
2. **Download the fanSync App:** Download the Fanimation fanSync Wi-Fi app from the Google Play Store or Apple App Store.
3. **Follow In-App Instructions:** Complete the simple setup instructions within the app to connect your fan to your home Wi-Fi network.
4. **Voice Control:** Once connected, you can use voice commands with compatible devices (e.g., "Hey Google, turn bedroom fan on" or "Alexa, turn living room light on").

wifi fanSync by Flannanatics

CONTROL YOUR CEILING FAN WITH YOUR SMART DEVICES & PERSONAL VOICE ASSISTANTS!



- 1 Wire and install the fanSync WiFi receiver into your ceiling fan's hanger bracket/canopy.
- 2 Download the fanSync Wifi app in the Google Play or App Store and follow the simple setup instructions.

WFR50	WFR55	DC WiFi*
<ul style="list-style-type: none"> • fanSync WiFi® receiver • AC fan—3 fan speeds • Fan and downlight control • Timer, safe exit and favorites list via smart device 	<ul style="list-style-type: none"> • Kwartet only • fanSync WiFi® receiver • AC fan—3 fan speeds • Fan and downlight control • Timer, safe exit and favorites list via smart device 	<ul style="list-style-type: none"> • fanSync WiFi® receiver • DC fan—variable fan speeds • Fan and downlight control • Included with DC ceiling fans

Hey Google

Turn bedroom fan on.

Hey Google

Turn bedroom light on.



Alexa






Turn living room fan on.

Alexa

Turn living room light on.



INTEGRATES WITH:

 |  |  |  |  | **+ OTHERS**

Devices other than Amazon Echo and Google Home connect via the IFTTT app.

Image 5.1: Diagram illustrating the fanSync Wi-Fi receiver installation and control via smart devices and voice assistants like Google Home and Alexa.

6. MAINTENANCE

Regular maintenance ensures the longevity and optimal performance of your ceiling fan.

- **Cleaning:** Use a soft, damp cloth to clean the fan's surfaces. Do not use abrasive cleaners or solvents, as they may damage the finish.
- **Blade Cleaning:** Wipe the blades regularly to prevent dust buildup, which can affect balance and airflow.
- **Tighten Screws:** Periodically check and tighten all screws on the fan body and blades to ensure secure operation.
- **Motor Lubrication:** The DC motor is permanently lubricated and does not require additional oiling.

7. TROUBLESHOOTING

If you experience issues with your fan, consult the following common problems and solutions:

Problem	Possible Cause	Solution
Fan does not start	No power to the fan; Loose wire connections; Remote control not paired	Check circuit breaker/fuses; Verify all wire connections are secure; Re-pair remote control according to its instructions.
Fan wobbles excessively	Loose blade screws; Unbalanced blades; Loose mounting bracket	Tighten all blade screws; Use a blade balancing kit (sold separately); Ensure mounting bracket is securely fastened to the ceiling.
Noisy operation	Loose screws; Motor housing rubbing; Fan not level	Check and tighten all screws; Ensure no parts are rubbing; Verify fan is level.
Remote control not working	Dead batteries; Remote not paired; Obstruction between remote and receiver	Replace batteries; Re-pair remote; Ensure clear line of sight to fan receiver.

8. SPECIFICATIONS

Feature	Detail
Brand	Fanimation
Model Number	FPD8514BS-60WEW
Product Dimensions	60"D x 60"W x 12.92"H
Item Weight	17.3 Pounds
Number of Blades	3
Blade Material	Composite
Motor Type	DC
Air Flow Capacity	4860 Cubic Feet Per Minute
Wattage	20 watts
Voltage	120 Volts
Indoor/Outdoor Usage	Indoor, Outdoor (Wet Rated)
Controller Type	Remote Control, fanSync App, Voice Control
Special Feature	Energy Efficient
Certification	UL, cUL

9. WARRANTY INFORMATION

This Fanimation TriAire Custom Ceiling Fan is covered by a **1 Year Manufacturer Warranty**. Please retain

your proof of purchase for any warranty claims. For specific details regarding warranty coverage and terms, refer to the documentation included with your product or visit the official Fanimation website.

10. CUSTOMER SUPPORT

For further assistance, technical support, or to purchase replacement parts, please contact Fanimation customer service. You can also visit the official Fanimation website for FAQs and additional resources.

- **Online Resources:** [Visit the Fanimation Store on Amazon](#)
- **Manufacturer Website:** Refer to your product packaging for the official Fanimation website.