



Manuals.plus /

› CollaredEagle /

› CollaredEagle Vanity Desk with Lighted Mirror and Power Outlet (Model VD004-WH-GLS-1) - Instruction Manual

CollaredEagle VD004-WH-GLS-1

CollaredEagle Vanity Desk with Lighted Mirror and Power Outlet

Model: VD004-WH-GLS-1 - Instruction Manual

1. INTRODUCTION

Thank you for choosing the CollaredEagle Vanity Desk. This manual provides essential information for the safe assembly, operation, and maintenance of your new vanity desk. Please read these instructions carefully before beginning assembly and retain them for future reference.



Image 1.1: The CollaredEagle Vanity Desk with its lighted mirror and RGB drawers.

2. SAFETY INFORMATION

- **Assembly:** Ensure all parts are present and undamaged before assembly. Do not use power tools for assembly unless specifically instructed, as this may damage the product. Assemble on a soft, clean surface to prevent scratches.
- **Stability:** Place the vanity desk on a flat, stable surface. If necessary, use wall anchors (not included) to secure the desk to the wall to prevent tipping, especially in households with children or pets.
- **Electrical Safety:** The built-in power outlet is designed for standard household use. Do not overload the outlets. Ensure hands are dry when plugging or unplugging devices. Do not expose the power outlet or electrical components to water or excessive moisture.
- **Weight Capacity:** Do not exceed the recommended weight capacity for the desktop or drawers. Distribute weight evenly.
- **Mirror Care:** Handle the mirror with care. Avoid striking or dropping heavy objects onto the mirror surface.
- **Children:** Keep small parts and packaging materials away from children during assembly.

3. PACKAGE CONTENTS

Please verify that all components listed below are included in your package. If any parts are missing or damaged, please contact customer support.

- Vanity Desk Frame Components
- Lighted Mirror Assembly
- Drawers (11 total)
- Vanity Stool
- Hardware Pack (screws, connectors, etc.)
- Power Outlet Unit
- LED Light Strips (for RGB drawers)
- Instruction Manual

4. ASSEMBLY INSTRUCTIONS

Assembly is required for this product. It is recommended to have two people for assembly. Please follow the steps below carefully. Refer to the included assembly diagram for visual guidance.

1. **Unpack Components:** Carefully remove all parts from the packaging and lay them out on a clean, soft surface to prevent scratches. Verify all parts against the package contents list.
2. **Assemble Base Frame:** Connect the main desk panels using the provided hardware. Ensure all connections are secure.
3. **Install Drawers:** Assemble the 11 drawers according to the diagram. Insert the assembled drawers into their respective slots in the desk frame.
4. **Attach Mirror:** Securely attach the lighted mirror assembly to the back of the vanity desk using the designated hardware. Ensure it is firmly in place.
5. **Install Power Outlet:** Mount the built-in power outlet unit into the designated slot on the side of the desk. Connect any pre-attached wiring as per the diagram.
6. **Install RGB LED Strips:** Carefully adhere the RGB LED light strips to the designated areas within the drawers or under the tempered glass tabletop. Connect them to the control unit.
7. **Assemble Stool:** Assemble the vanity stool using the provided hardware.
8. **Final Check:** Ensure all screws are tightened, and the vanity desk is stable.

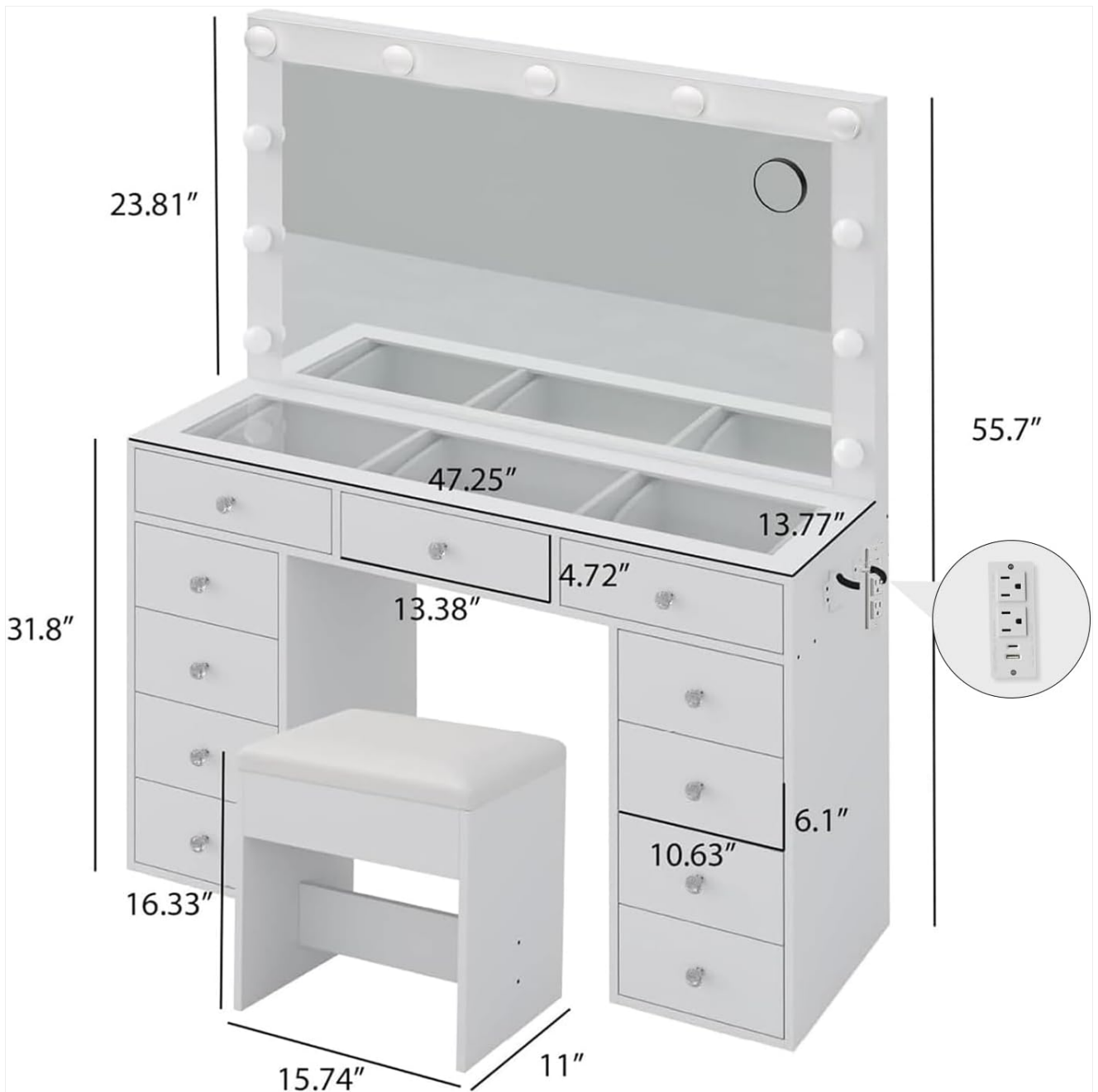


Image 4.1: Dimensional diagram of the vanity desk, illustrating key measurements and the power outlet location.



Image 4.2: View of the vanity desk with drawers open, highlighting the tempered glass top and ample storage space.

5. OPERATING INSTRUCTIONS

5.1. Lighted Mirror Operation

The vanity mirror features 11 Hollywood-style LED bulbs with three adjustable lighting modes and brightness control.

- **Power On/Off:** Locate the touch switch on the mirror surface. Tap once to turn the lights on or off.
- **Change Lighting Mode:** With the lights on, tap the touch switch repeatedly to cycle through the three lighting modes: Cold Light, Natural Light, and Warm Light.
- **Adjust Brightness:** To adjust the brightness, press and hold the touch switch. The brightness will gradually increase or decrease. Release the switch when the desired brightness is reached.

3 Color Lighting Modes



Long Press the Switch to
Adjust the Brightness of Each Lighting Mode

Image 5.1: Illustration of the three lighting modes (cold, natural, warm) and the brightness adjustment function.

3 Color Lighting Modes



Image 5.2: Visual representation of the Cold White, Warm White, and Warm Yellow lighting options available.

5.2. RGB Drawer Lighting

The vanity desk features built-in RGB LED lights in the drawers, offering multiple color modes.

- **Activation:** The RGB lights are typically controlled via a small button or remote (if included). Refer to the specific control unit for detailed instructions.
- **Color Modes:** Cycle through various static colors or dynamic color-changing modes.
- **Brightness Adjustment:** Adjust the intensity of the RGB lighting as desired.



Image 5.3: The vanity desk with its RGB drawer lights activated, showcasing various color options.

5.3. Built-in Power Outlet

The vanity desk includes a convenient built-in charging station with 2 standard AC outlets, 1 USB port, and 1 Type-C port.

- **Usage:** Plug in your hair dryer, curling iron, phone, tablet, or other electronic devices directly into the integrated power strip.
- **Specifications:** AC outlets: 125V/12A. USB port: 5V/2A. Type-C port: 5V/2A.
- **Hair Dryer Stand:** Utilize the attached stand for convenient storage of your hair dryer.

Built-in Power Strip

Convenient for phone charging & hair dryer use



Image 5.4: Detailed view of the integrated power strip and hairdryer holder for convenient device charging and storage.

6. MAINTENANCE

- **Cleaning Surfaces:** Wipe the desk surfaces with a soft, damp cloth. Avoid abrasive cleaners or harsh chemicals that may damage the finish.
- **Mirror Cleaning:** Use a glass cleaner and a lint-free cloth to clean the mirror. Spray cleaner onto the cloth, not directly onto the mirror, to prevent liquid from seeping into the electrical components.
- **Drawer Care:** Periodically check drawer slides for smooth operation. Clean out drawers regularly to prevent dust buildup.
- **Electrical Components:** Ensure the power outlet and light bulbs are free from dust and debris. Do not attempt to service electrical components yourself.

7. TROUBLESHOOTING

- **Lights Not Turning On:**

- Check if the power cord is securely plugged into a working wall outlet.
 - Ensure the touch switch on the mirror is being pressed correctly.
 - Verify that the power source is active.
- **Power Outlet Not Working:**
 - Confirm the main power cord for the vanity desk is plugged in.
 - Test the wall outlet with another device to ensure it is functional.
 - Avoid overloading the power strip with too many high-power devices.
- **Drawers Sticking/Not Sliding Smoothly:**
 - Check for any obstructions in the drawer slides.
 - Ensure the drawers are correctly aligned on their tracks.
 - Verify that all assembly screws for the drawer slides are tightened.
- **RGB Lights Not Functioning:**
 - Check the connection of the RGB light strips to their control unit and power source.
 - Ensure the control unit (if applicable) has power and is functioning.

If you encounter issues not listed here or if troubleshooting steps do not resolve the problem, please contact CollaredEagle customer support for assistance.

8. SPECIFICATIONS

Feature	Detail
Brand	CollaredEagle
Model Number	VD004-WH-GLS-1
Color	White
Size	11 RGB Drawers
Product Dimensions	15.77"D x 47.25"W x 55.7"H
Item Weight	130 pounds
Frame Material	Engineered Wood
Mirror Lighting Modes	3 (Cold, Natural, Warm) with adjustable brightness
Power Outlet	2 AC (125V/12A), 1 USB (5V/2A), 1 Type-C (5V/2A)
Assembly Required	Yes

9. WARRANTY AND SUPPORT

CollaredEagle products are manufactured with quality and care. For information regarding warranty coverage, please refer to the warranty card included with your purchase or visit the official CollaredEagle website.

For technical support, missing parts, or any other inquiries, please contact CollaredEagle customer service through the contact information provided on our website or your purchase documentation. Please have your model number (VD004-WH-GLS-1) and purchase date ready when contacting support.

