



Manuals.plus /

- › KKT KOLBE /
- › KKT KOLBE PLOOM8005G 80 cm Wall-Mounted Cooker Hood User Manual

KKT KOLBE PLOOM8005G

KKT KOLBE PLOOM8005G 80 cm Wall-Mounted Cooker Hood User Manual

Model: PLOOM8005G

1. INTRODUCTION

This manual provides essential information for the safe and efficient operation, installation, and maintenance of your KKT KOLBE PLOOM8005G 80 cm wall-mounted cooker hood. Please read these instructions carefully before using the appliance and retain them for future reference.



Figure 1: KKT KOLBE PLOOM8005G Cooker Hood Overview

2. SAFETY INFORMATION

Always adhere to local regulations regarding the discharge of exhaust air. Ensure adequate ventilation in the room when the cooker hood is used simultaneously with other appliances burning gas or other fuels. The appliance is not intended for use by persons (including children) with reduced physical, sensory or mental capabilities, or lack of experience and knowledge, unless they have been given supervision or instruction concerning use of the appliance by a person responsible for their safety.

- Do not flambé under the cooker hood.
- Do not leave frying pans unattended during use as overheated fat or oil can ignite.
- Clean the grease filters regularly to prevent fire hazards.
- Ensure the electrical installation complies with local standards.
- The recommended distance from the hob to the cooker hood is 50-60 cm.

3. WHAT'S IN THE BOX

Upon unpacking, please verify that all components are present and undamaged:

- KKT KOLBE PLOOM8005G Cooker Hood Unit
- Instruction Manual
- Filter (Grease Filter, Activated Carbon Filter)
- Installation Kit

4. SETUP AND INSTALLATION

The KKT KOLBE PLOOM8005G is designed for wall-mounted installation and can operate in either exhaust (ducted) or recirculation (ductless) mode. The adjustable telescopic shaft allows for flexible adaptation to various mounting situations.

4.1 Installation Mode Selection

Choose between exhaust mode (air is vented outside) or recirculation mode (air is filtered and returned to the kitchen). For recirculation mode, the included activated carbon filter must be installed.



Figure 2: Exhaust vs. Recirculation Mode

4.2 Mounting the Cooker Hood

Follow the detailed instructions in the installation kit for secure wall mounting. Ensure the recommended distance of 50-60 cm between the hob and the cooker hood is maintained for optimal performance and safety.



Figure 3: Cooker Hood Components and Features

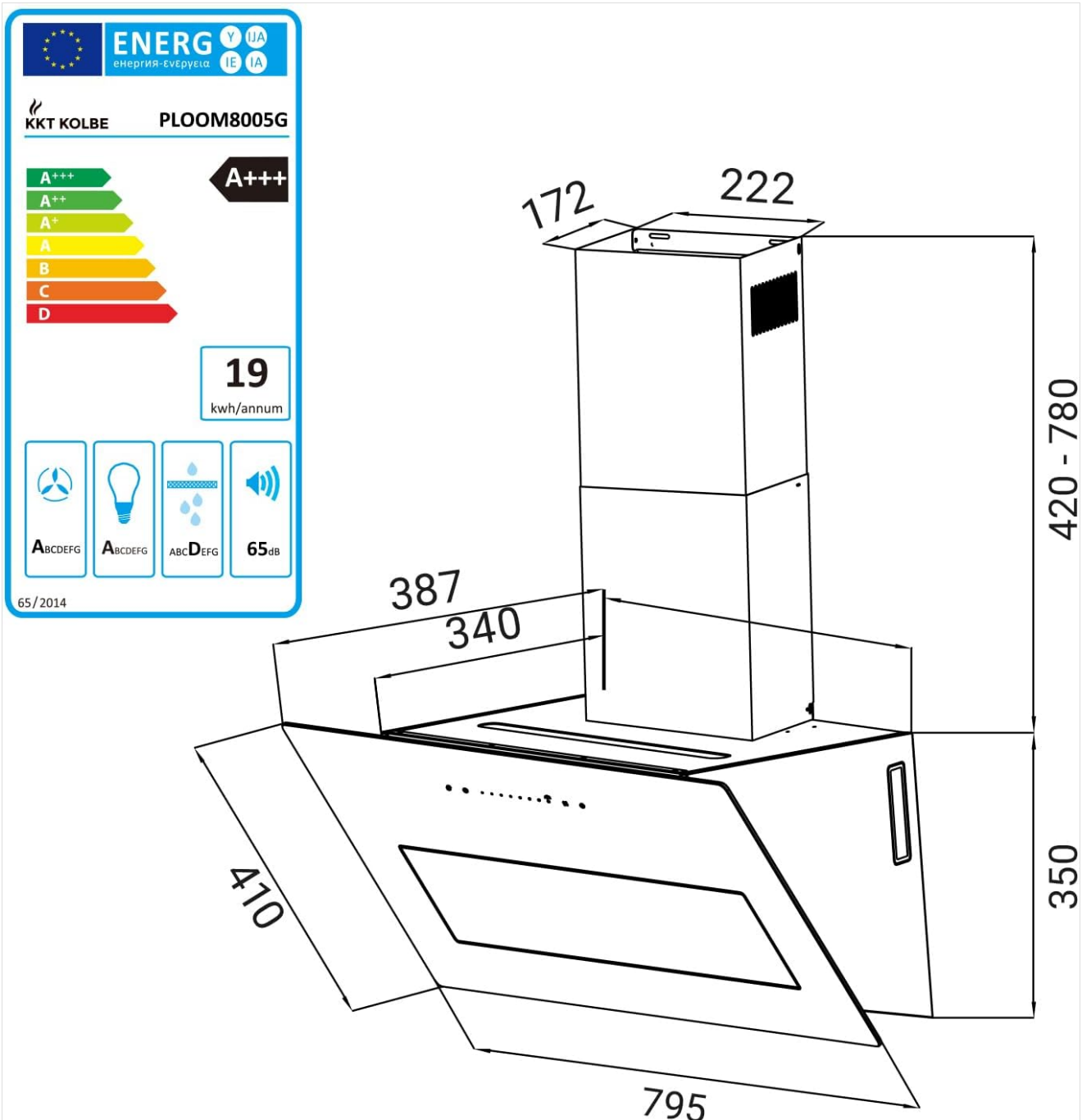


Figure 4: Technical Dimensions and Energy Label

5. OPERATING INSTRUCTIONS

The KKT KOLBE PLOOM8005G offers intuitive control via its illuminated SensorTouch panel and smart app connectivity.

5.1 Power Levels and Booster Function

The cooker hood features 9 power levels to adapt to various cooking needs. A booster function is integrated for intensive extraction when required, providing up to 782 m³/h air extraction.

9 Leistungsstufen

Dank superleiser Speed-Motoren-Technologie zieht der Abzug auf höchster Stufe **782 m³/h**.



Nachlaufautomatik

Mithilfe der Nachlaufautomatik können Sie Ihre Dunstabzugshaube nach voreingestellter Zeit automatisch abschalten lassen.

Figure 5: Power Levels and Automatic Run-on Function

5.2 SensorTouch Control Panel

The illuminated TouchSelect sensor keys and LED display provide clear and comfortable operation. Refer to the specific icons on the control panel for functions such as power adjustment, lighting control, and timer settings.

5.3 Smart WiFi App Control

Control your cooker hood conveniently via the KKT.Control app on your smartphone or tablet. The integrated Wi-Fi and compatibility with Tuya Smart/Smart Life standards enable remote operation and advanced features.

Smart App

Bild nur zu Darstellungszwecken der Smart App.
**Kein Mobilgerät oder Fernbedienung
im Lieferumfang enthalten.**



Figure 6: Smart App Control Interface

5.4 RGBW LED Lighting

Customize your kitchen ambiance with the RGBW lighting feature. Choose from red, green, blue, or white, or a combination, to create a desired atmosphere. The LED hob lighting ensures clear visibility during cooking.



Ambiente-Beleuchtung

Lassen Sie Ihre Küche in Ihren Lieblingsfarben erstrahlen



Figure 7: RGBW Ambient Lighting Options

5.5 Automatic Run-on Function

The automatic run-on function allows the cooker hood to continue operating for a preset time after cooking, ensuring effective removal of residual odors.

5.6 Quiet Operation

The cooker hood is designed for ultra-quiet operation, minimizing disturbance in your kitchen environment.



Figure 8: Illustration of Quiet Operation

6. MAINTENANCE

Regular maintenance ensures the longevity and optimal performance of your cooker hood.

6.1 Cleaning the Metal Grease Filter

The metal grease filter is dishwasher-safe. Clean it regularly (approximately every 2-4 weeks, depending on usage) to maintain effective grease capture and prevent fire hazards. Remove the filter by following the instructions in the installation kit.

6.2 Replacing the Activated Carbon Filter

If operating in recirculation mode, the activated carbon filter must be replaced periodically (typically every 3-6 months, depending on usage). Refer to the installation kit for instructions on how to replace the filter. The activated carbon filter is not washable and must be replaced.

6.3 Cleaning the Cooker Hood Surfaces

Clean the exterior surfaces of the cooker hood with a soft cloth and a mild, non-abrasive cleaning agent. Avoid using

harsh chemicals or abrasive materials that could damage the finish.

7. TROUBLESHOOTING

If you encounter issues with your cooker hood, consult the following basic troubleshooting guide. For more complex problems, contact customer support.

- **Cooker hood not turning on:** Check if the power cable is securely plugged in and if the circuit breaker has tripped.
- **Poor extraction performance:** Ensure grease filters are clean and correctly installed. If in recirculation mode, check if the activated carbon filter needs replacement. Verify that the recommended distance from the hob is maintained.
- **Unusual noise:** Check for any loose parts or obstructions in the fan. Ensure the cooker hood is securely mounted.
- **Lights not working:** Check if the LED lights are properly connected. If individual LEDs are replaceable, consult a qualified technician.

8. SPECIFICATIONS

Feature	Specification
Brand	KKT KOLBE
Model Number	PLOOM8005G
Dimensions (P x L x H)	34 x 80 x 65 cm
Weight	13.1 kg
Mounting Type	Wall-mounted
Control Method	App, SensorTouch
Power (Wattage)	129 watts
Voltage	230 Volts
Noise Level	65 Decibel
Light Source Type	LED (RGBW)
Special Features	Automatic Start, App Control, Grease Filter, LED Lighting, RGBW Ambient Lighting
Material	Metal
Compliance	CE, RoHS

9. WARRANTY AND SUPPORT

For warranty information and return policies, please refer to the terms provided at the point of purchase or contact KKT KOLBE customer service. If you wish to return a product within 30 days of receipt because you have changed your mind, consult the return policy page. If you have received a defective or damaged product, consult the relevant help page. For specific information on purchases made through a marketplace, consult the marketplace's help page.

For technical support or inquiries, please contact KKT KOLBE directly through their official channels.