

KKT KOLBE PLOOM6005M

KKT KOLBE Ploom A Specchio 60 cm Wall-Mounted Range Hood User Manual

1. INTRODUCTION

The KKT KOLBE Ploom A Specchio 60 cm wall-mounted range hood combines modern design with smart functionality. It features RGBW LED lighting, 9 power levels, SensorTouch controls, and smart WiFi connectivity via the KKT.Control app. This appliance supports both extraction and recirculation modes, ensuring efficient air purification in your kitchen.

2. SAFETY INSTRUCTIONS

Read all instructions carefully before installation and use. Keep this manual for future reference. Ensure the appliance is properly grounded. Do not operate the appliance with damaged power cords or plugs. Maintain a safe distance between the range hood and the cooking surface as specified in the installation section. Always disconnect power before cleaning or maintenance. This appliance is not intended for use by persons with reduced physical, sensory or mental capabilities, or lack of experience and knowledge, unless they have been given supervision or instruction concerning use of the appliance by a person responsible for their safety.

3. PACKAGE CONTENTS

The product package includes:

- Instruction Manual
- Filter (Activated carbon filter included for recirculation mode)
- Installation Kit

4. SETUP AND INSTALLATION

The KKT KOLBE Ploom A Specchio 60 cm range hood is designed for wall mounting. It can be operated in either extraction or recirculation mode. For recirculation mode, the included activated carbon filter must be installed. The telescopic duct is adjustable in height to suit various installation requirements. The recommended distance from the cooking surface is 50-60 cm.



Figure 4.1: Diagram illustrating the two operating modes: Extraction Hood (Abluft-Haube) and Recirculation Hood (Umluft-Haube).

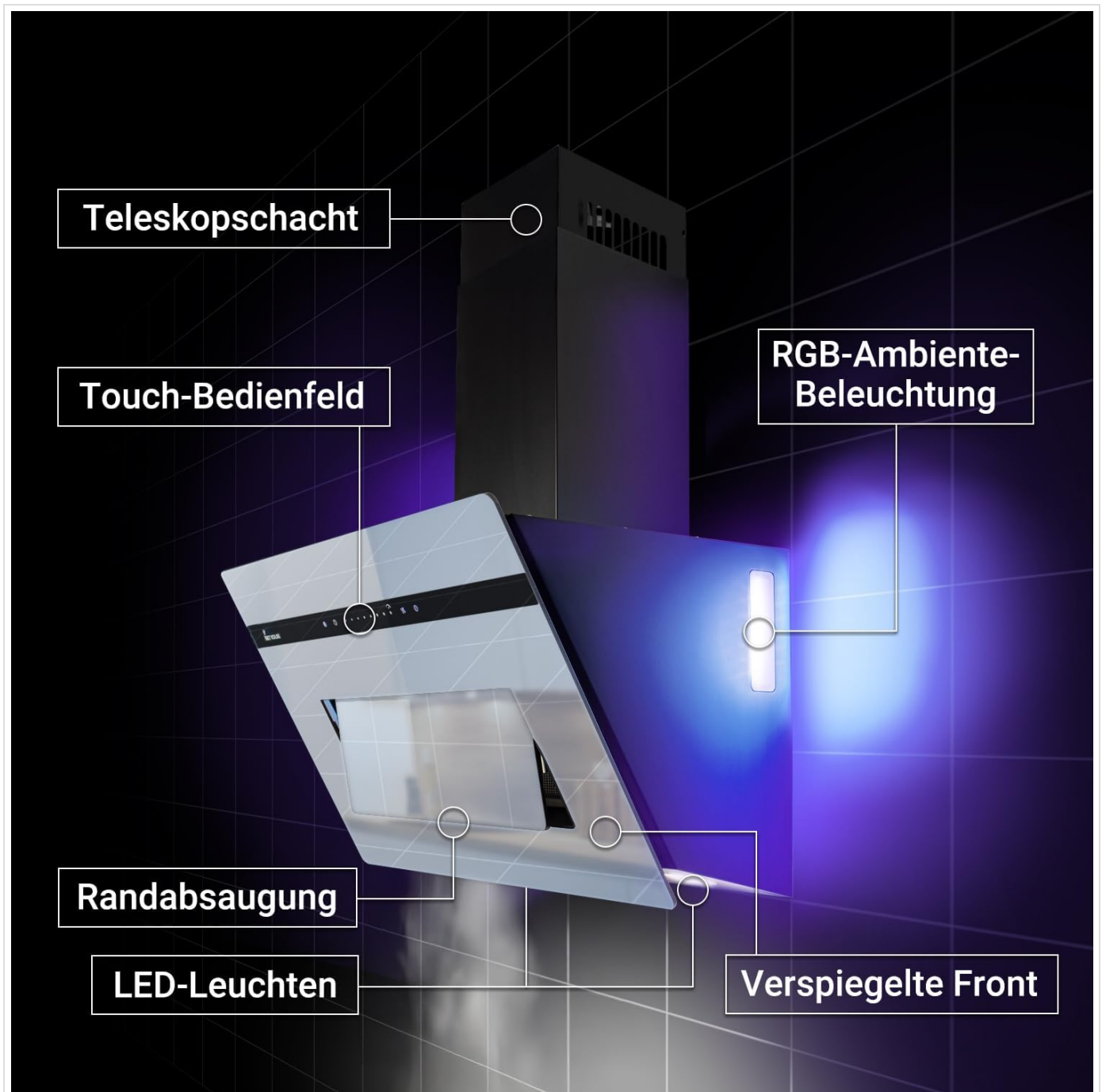


Figure 4.2: Detailed view highlighting key components: Telescopic Duct, Touch Control Panel, Edge Extraction, LED Lights, Mirrored Front, and RGB Ambient Lighting.

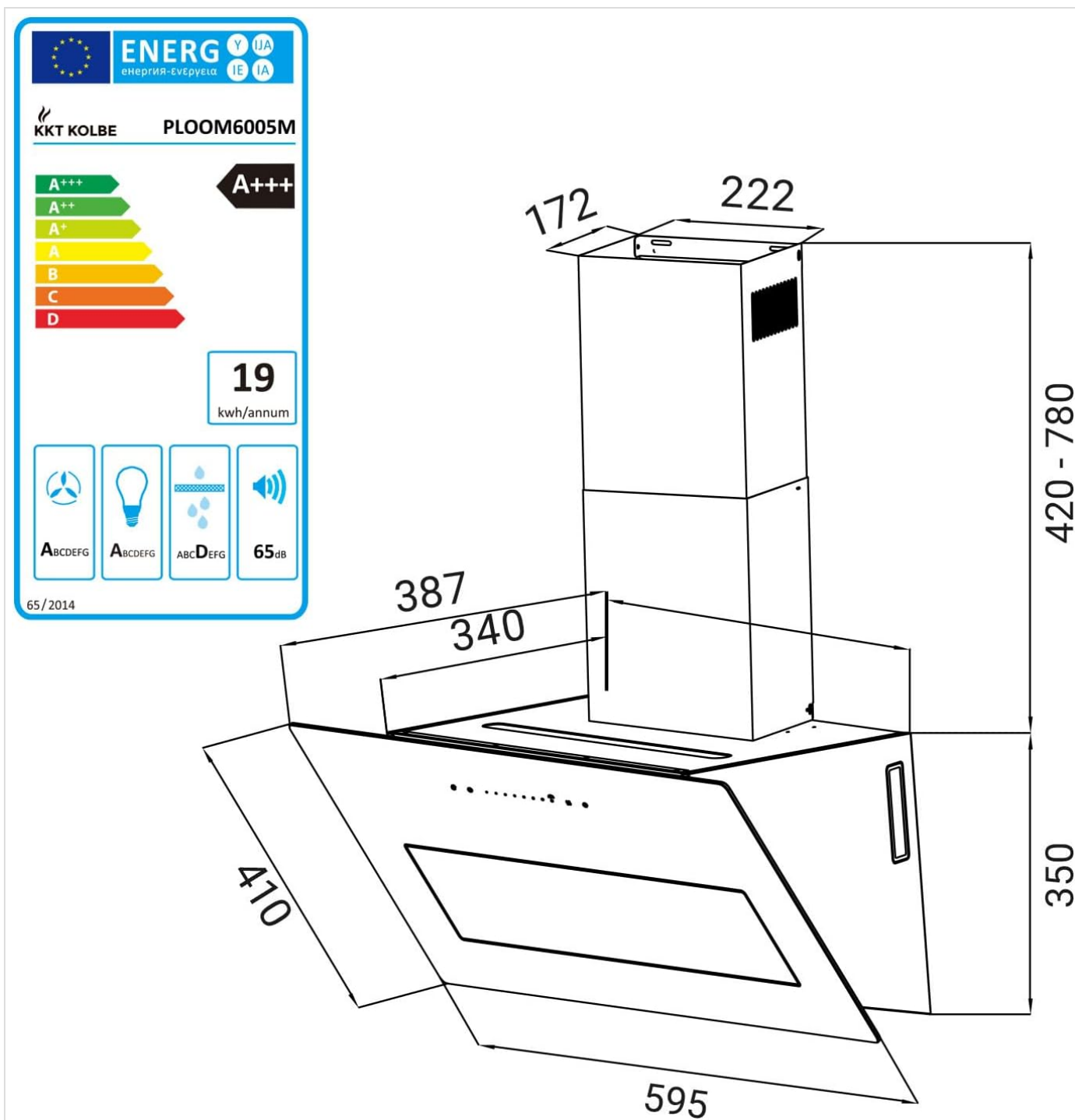


Figure 4.3: Technical drawing showing the dimensions of the range hood in millimeters.

5. OPERATING INSTRUCTIONS

The range hood features SensorTouch controls and an LED display for clear and comfortable operation. It offers 9 power levels to adjust suction intensity. The integrated booster function provides maximum extraction when needed. An automatic stop function allows the hood to continue operating for a preset time after cooking to ensure complete odor removal. The RGBW LED lighting allows you to choose from red, green, blue, and white, or other colors, to create ambient lighting in your kitchen.



Ambiente-Beleuchtung

Lassen Sie Ihre Küche in Ihren Lieblingsfarben erstrahlen



Figure 5.1: Image demonstrating the RGB ambient lighting feature, showing the hood illuminated in green, red, orange, and blue.

9 Leistungsstufen

Dank superleiser Speed-Motoren-Technologie zieht der Abzug auf höchster Stufe **782 m³/h**.



Nachlaufautomatik

Mithilfe der Nachlaufautomatik können Sie Ihre Dunstabzugshaube nach voreingestellter Zeit automatisch abschalten lassen.

Figure 5.2: Image illustrating the 9 power levels and the automatic run-on function, with smoke being effectively extracted.

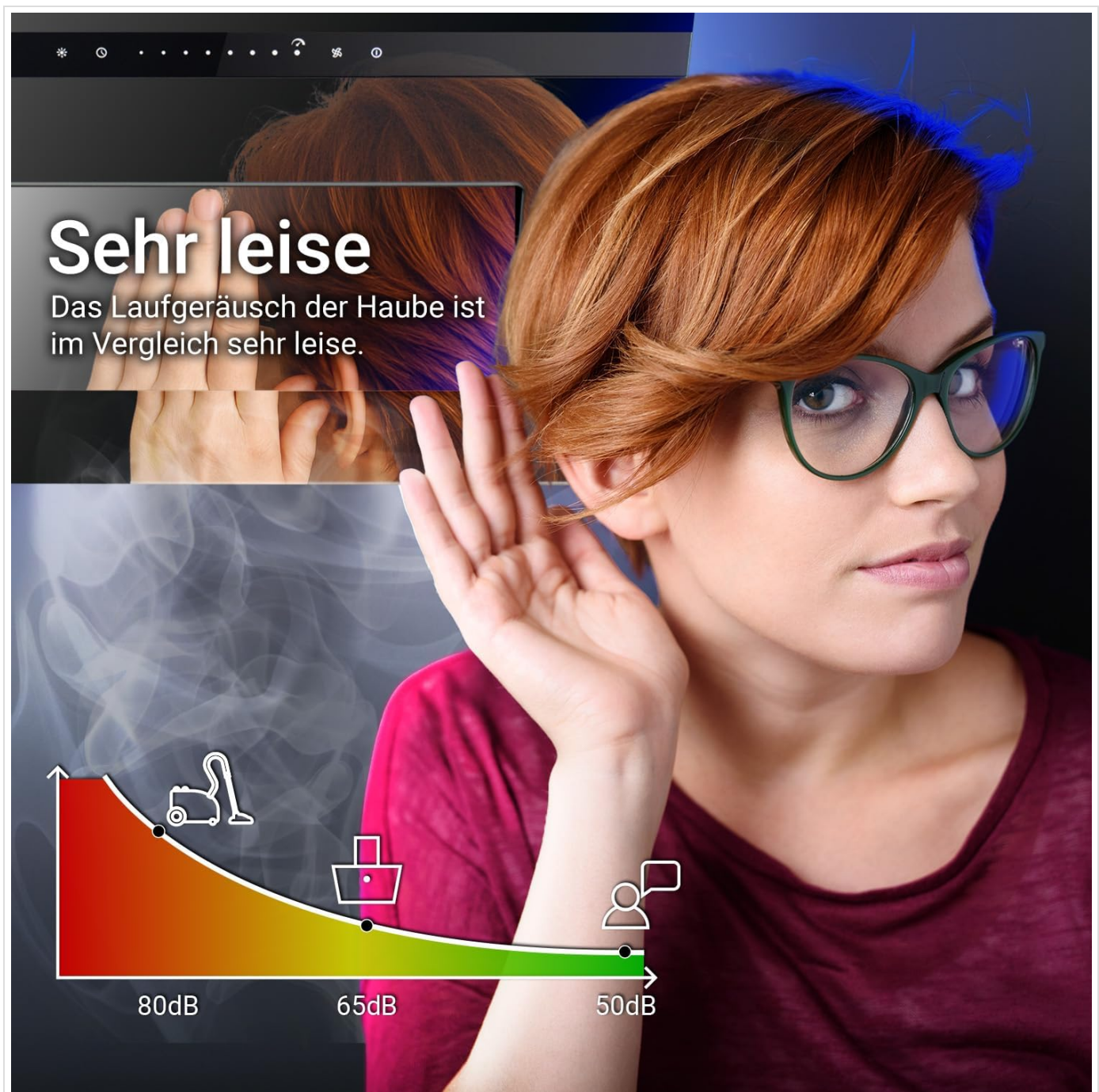


Figure 5.3: Image depicting the quiet operation of the range hood, with a woman listening intently and a decibel chart showing noise levels.

Your browser does not support the video tag.

Video 5.1: This video demonstrates the KKT KOLBE Ploom A Specchio range hood in operation, showing steam being effectively extracted from cooking pots.

6. SMART APP CONTROL

The range hood is equipped with integrated WiFi and is compatible with the Tuya Smart/Smart Life standard. This allows convenient control of the hood via the KKT.Control app on your smartphone or tablet. The app enables remote control of functions such as power levels, lighting, and timer settings. In combination with an optional window contact switch, the hood can be configured to operate only when a window is open, enhancing safety for kitchens with fireplaces.



Figure 6.1: Image showing a smartphone screen with the KKT.Control app interface, demonstrating various control options for the range hood.

7. MAINTENANCE AND CLEANING

The metal grease filter is dishwasher-safe for easy cleaning. For recirculation mode, the activated carbon filter requires regular replacement to maintain optimal air purification. Refer to the filter replacement instructions for details. The mirrored glass front and black metal body can be cleaned with a soft cloth and mild detergent.

8. TROUBLESHOOTING

If the range hood is not functioning correctly, please refer to the following common issues:

- **No Power:** Check if the power cord is securely plugged in and the circuit breaker has not tripped.
- **Low Suction:** Ensure the grease filters are clean and the carbon filters (if in recirculation mode) are not saturated. Verify that the ducting is not obstructed.

- **Excessive Noise:** Check for loose parts or obstructions in the fan. Ensure proper installation.
- **Lights Not Working:** Check the LED light connections. If individual LEDs are faulty, contact customer support.
- **App Connectivity Issues:** Ensure your home WiFi network is active and the range hood is within range. Restart the app and the range hood.

For persistent issues, contact KKT KOLBE customer support.

9. TECHNICAL SPECIFICATIONS

Specification	Value
Brand	KKT KOLBE
Product Dimensions	34D x 60W x 65H cm
Color	Ploom A Specchio (Mirrored Ploom)
Special Features	Automatic start, App control, Grease filter, Mirrored glass front, RGBW ambient lighting
Airflow Capacity	782 Cubic meters per hour
Noise Level	65 Decibels
Mounting Type	Wall-mounted
Control Type	Touch
Voltage	230 Volt
Number of Speeds	9
Light Source	LED
Electric Power	129 watts
Filter Type	Activated carbon filter
Ventilation Type	Recirculating
Item Weight	12.3 Kilograms
Compliant Standards	CE, RoHS
Included Components	Filter, Installation Kit, Instruction Manual
Model Number	PLOOM6005M
Finish	Mirrored
Item Shape	Angled
Hood Design	Wall-mounted hood
Material	Metal, Glass

10. WARRANTY AND SUPPORT

For warranty information and customer support, please refer to the warranty card included with your product or visit the official KKT KOLBE website. Keep your proof of purchase for any warranty claims.