

WAVLINK WN588HX3-GW-E

WAVLINK AX3000 Outdoor Mesh WiFi Access Point

Model: WN588HX3-GW-E

1. INTRODUCTION

This manual provides detailed instructions for the installation, configuration, and operation of your WAVLINK AX3000 Outdoor Mesh WiFi Access Point. This device is designed to extend wireless network coverage in outdoor environments, offering high-speed Wi-Fi 6 connectivity and multiple operating modes.

2. PRODUCT OVERVIEW

Key Features:

- **WiFi 6 AX3000:** Dual-band operation with 5GHz at 2402Mbps and 2.4GHz at 574Mbps, totaling up to 3Gbps. Includes OFDMA, MU-MIMO, and 1024-QAM technologies.
- **Outdoor Durability:** IP67 rated for protection against water and dust, suitable for harsh outdoor conditions.
- **Power over Ethernet (PoE):** Simplified deployment with a single Ethernet cable for both power and data.
- **Multiple Operating Modes:** Supports AP (Access Point), Repeater, and Mesh Router modes.
- **Wide Coverage:** Designed for extensive outdoor areas such as patios, backyards, pools, garages, farms, and commercial spaces.
- **WPA3 Encryption:** Advanced security protocol for enhanced network protection.

What's in the Box:

- 1 x Quick Start Guide
- 1 x AX3000 WiFi 6 Outdoor Access Point
- 6 x 7dBi Antennas
- 1 x 54V Power Adapter
- 1 x PoE Converter
- 1 x Ethernet Cable (3ft)
- 1 x Wrench
- 6 x PWM M3×5×6MM Screws

- 6 x KA M3×20×5.2MM Screws
- 6 x Φ6.5x25MM Screw Plugs
- 4 x Plastic Cable Ties
- 1 x Main Body Holder

What's in the box

- 1 x Quick Start Guide
- 1 x AX3000 WiFi 6 Outdoor Access Point
- 6 x 7dBi Antennas
- 1 x 54V Power Adapter
- 1 x PoE Converter
- 1 x Ethernet Cable

Accessories:

- 1 x Wrench
- 1 x PWM M3×5×6MM Screw
- 6 x KA M3×20×5.2MM Screws
- 6 x Φ6.5x25MM Screw Plugs
- 4 x Plastic Cable Ties
- 1 x Main Body Holder



Image: Contents of the WAVLINK AX3000 Outdoor Mesh WiFi Access Point box, including the access point, antennas, power adapter, PoE converter, Ethernet cable, and mounting hardware.

3. SETUP

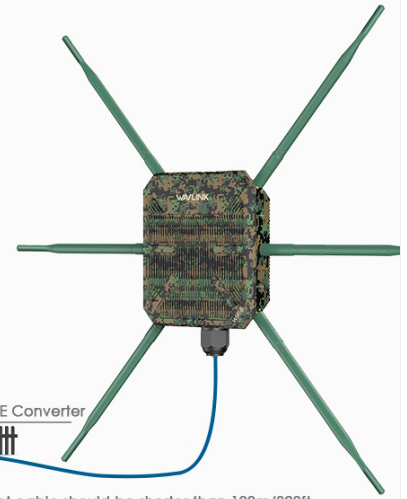
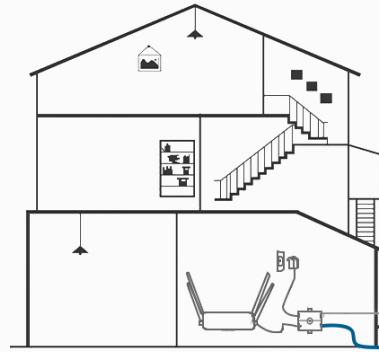
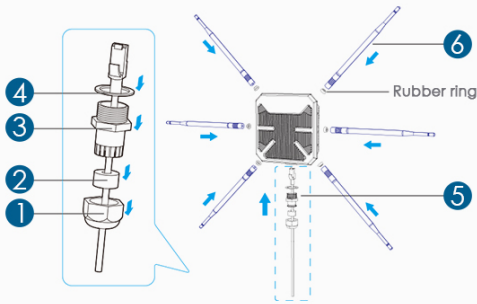
Important Considerations Before Purchase:

Mesh functionality is limited to WAVLINK devices only; cross-brand compatibility is not supported for mesh networks. This outdoor WiFi extender offers three modes: AP, Repeater, and Mesh Router. For optimal performance, AP or Mesh modes are recommended. Repeater mode is suitable for flexible deployment where direct cable connection is not feasible.

Initial Setup Steps:

1. **Assemble Antennas:** Carefully screw the six 7dBi antennas onto the designated ports on the AX3000 Access Point. Ensure they are securely fastened.
2. **Power Connection:** Connect the PoE converter to the Access Point using an Ethernet cable (up to 100m/328ft). Connect the 54V power adapter to the PoE converter. The PoE adapter is **not waterproof** and must be kept indoors or in a dry location.
3. **Network Connection:** Connect the PoE converter's LAN port to your existing modem or router using an Ethernet cable.
4. **Mounting:** Choose a suitable outdoor location for mounting. The device supports both pole-mounting and wall-mounting. Use the provided main body holder, screws, and cable ties for secure installation.
5. **Configuration:** Access the device's web-based management system via a connected computer or mobile device to configure your desired operating mode (AP, Repeater, or Mesh Router) and network settings. Refer to the Quick Start Guide for initial access credentials.

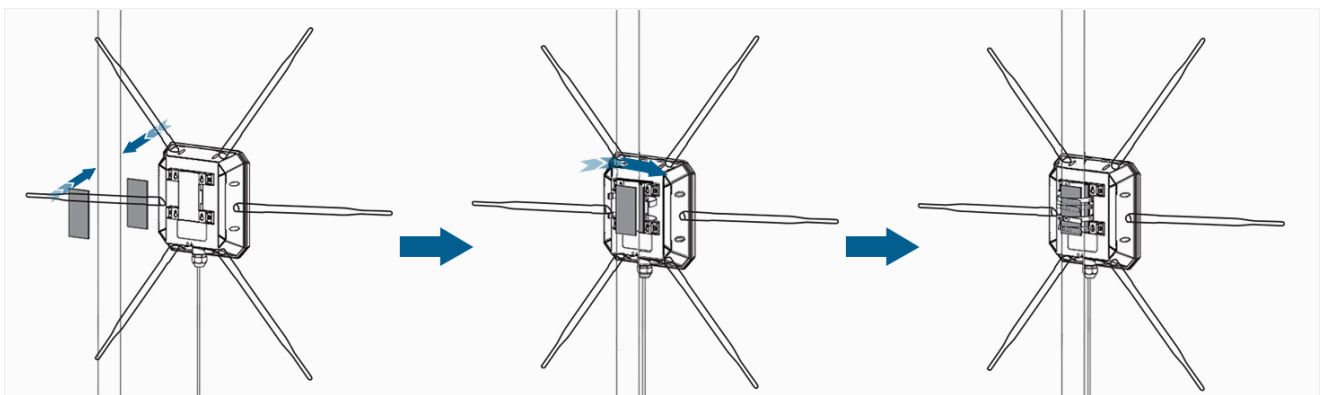
Installation Instruction



Please install them in numerical order and arrows' direction.

Note: The PoE converter is not waterproof, ethernet cable should be shorter than 100m/328ft.

Image: Diagram illustrating the antenna assembly process and the connection of the PoE converter to the access point and indoor network.



Step 1: Stick two silicone pads on the bracket and post respectively.

Step 2: Thread the cable ties through the fixing point of the bracket.

Step 3: Fix the product to the post with cable ties.

Image: Step-by-step guide for mounting the WAVLINK AX3000 Access Point using silicone pads, cable ties, and a bracket for pole or wall installation.



Image: Visual representation of pole-mounting and wall-mounting options for the WAVLINK AX3000 Outdoor Mesh WiFi Access Point.

4. OPERATING MODES

The WAVLINK AX3000 supports four primary operating modes to suit various networking needs:

- **AP (Access Point) Mode:** Connects to your existing wired network and broadcasts a new wireless network, extending coverage.
- **Repeater Mode:** Wirelessly extends the range of an existing WiFi network. This mode is ideal for flexible deployment but may result in reduced bandwidth compared to AP or Mesh modes.
- **Mesh Router Mode:** Functions as the primary router in a mesh network, providing seamless coverage with other WAVLINK mesh-compatible devices.
- **AP+Repeater Mode:** A combination mode where the device acts as an Access Point while also extending the signal from another AP.

Note: For Mesh functionality, all devices in the mesh network must be WAVLINK-compatible. Cross-brand mesh compatibility is not supported.

6. TROUBLESHOOTING

If you encounter issues with your WAVLINK AX3000, consider the following general troubleshooting steps:

- **No Power/No Indicator Lights:** Verify that the power adapter is securely connected to the PoE converter and that the PoE converter is connected to the access point. Ensure the power outlet is functional.
- **No Internet Connection:** Check the Ethernet cable connection from the PoE converter's LAN port to your modem/router. Ensure your modem/router has an active internet connection. If in Repeater mode, ensure the main WiFi signal is strong and stable.
- **Weak WiFi Signal/Slow Speed:** Ensure the access point is mounted in an optimal location, free from major obstructions. Verify antenna connections are secure. Consider switching to AP or Mesh mode for potentially faster performance if currently in Repeater mode.
- **Cannot Access Web Management Interface:** Ensure your device is connected to the WAVLINK network. Verify the IP address or domain used to access the interface. Try clearing your browser's cache or using a different browser.
- **Mesh Network Issues:** Confirm that all devices intended for the mesh network are WAVLINK-compatible. Refer to the specific mesh setup instructions in the Quick Start Guide.

If problems persist after attempting these steps, please contact WAVLINK customer support for further assistance.

7. SPECIFICATIONS

Brand	WAVLINK
Model Number	WN588HX3-GW-E
Wireless Communication Standard	802.11ax (WiFi 6)
Data Transfer Rate	Up to 3 Gigabits Per Second (3000 Mbps)
Frequency Band Class	Dual-Band (2.4 GHz, 5 GHz)
2.4 GHz Speed	574 Mbps
5 GHz Speed	2402 Mbps
Special Features	Access Point Mode, Dustproof, LED Indicator, Power Over Ethernet, Weatherproof (IP67)
Compatible Devices	IP Camera, Personal Computer, Smartphone, Speaker, Tablet
Range	Up to 984 Feet (300 meters)
Color	White with Gray Accents (Greenwood variant has camouflage pattern)

8. WARRANTY INFORMATION

The WAVLINK AX3000 Outdoor Mesh WiFi Access Point comes with a **1-Year Warranty** from the date of purchase. Please retain your proof of purchase for warranty claims. For detailed warranty terms and conditions, refer to the official WAVLINK website or contact customer support.

9. SUPPORT

For any technical assistance, product inquiries, or support, please use the following contact information:

- **Phone (US Local):** +1-888-973-0883 (Monday-Friday, 9 AM-6 PM UTC-5)
- **Email:** contact@wavlink.com
- **Live Chat Support:** Visit wavlink.com

WAVLINK aims to provide solutions within 8 hours and offers lifelong support for its products.

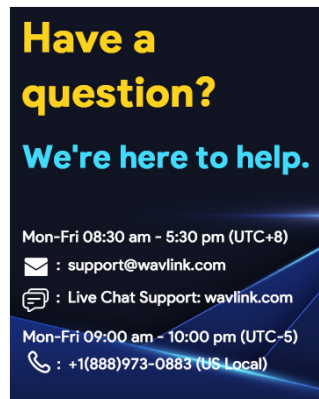


Image: WAVLINK customer support contact details, including phone and email.