

STREBITO 32-Piece

STREBITO 32-Piece Damaged Screw Extractor Set Instruction Manual

Model: 32-Piece Set

INTRODUCTION

Thank you for choosing the STREBITO 32-Piece Damaged Screw Extractor Set. This comprehensive kit is designed to assist in the removal of stripped, rusted, or broken screws and bolts from various materials, including stainless steel. Please read this manual thoroughly before use to ensure safe and effective operation.

SAFETY INFORMATION

- Always wear appropriate personal protective equipment, including safety glasses, to protect your eyes from flying debris.
- Ensure the workpiece is securely clamped or held to prevent movement during drilling and extraction.
- Use the correct size drill bit and extractor for the screw to avoid further damage to the screw or the tool.
- Operate power tools at appropriate speeds. Lower speeds are generally recommended for drilling and extraction to maintain control and prevent overheating.
- Keep hands and fingers clear of rotating parts.
- Store the set in its provided canvas bag to prevent loss and damage to the bits.

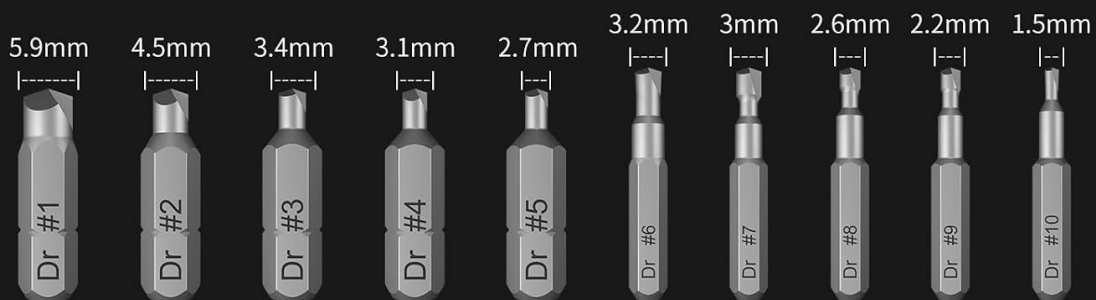
PACKAGE CONTENTS

The STREBITO 32-Piece Damaged Screw Extractor Set includes the following components:

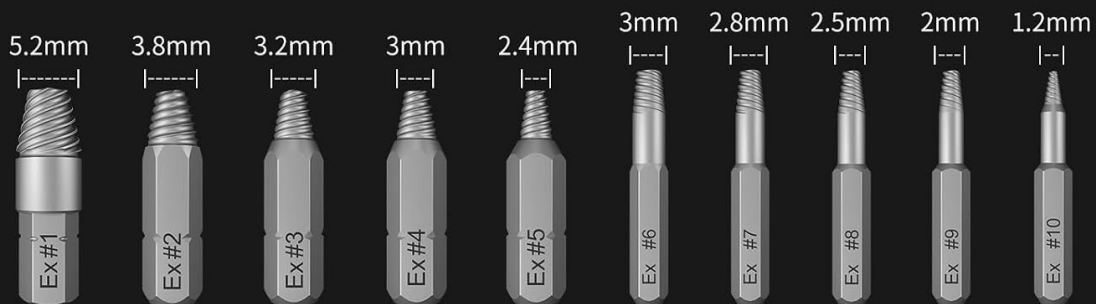
- 20 x Stripped Screw Extractors (Ex#1~#10, Dr#1~#10)
- 10 x Screwdriver Bits (various types including Phillips, Torx, Hex, Slotted)
- 1 x Magnetic Extension Shaft
- 1 x Socket Adapter
- 1 x Zippered Canvas Storage Bag

32-PIECE SCREW EXTRACTOR SET

10 × Drill Bits



10 × 1/4" Bits



1/4" Extension bit holder



1/4" to 4mm Socket adapter

Image: Detailed view of the 32-piece screw extractor set, showing all drill bits, extractor bits, screwdriver bits, extension shaft, and socket adapter organized in their blue holders.

SETUP AND PREPARATION

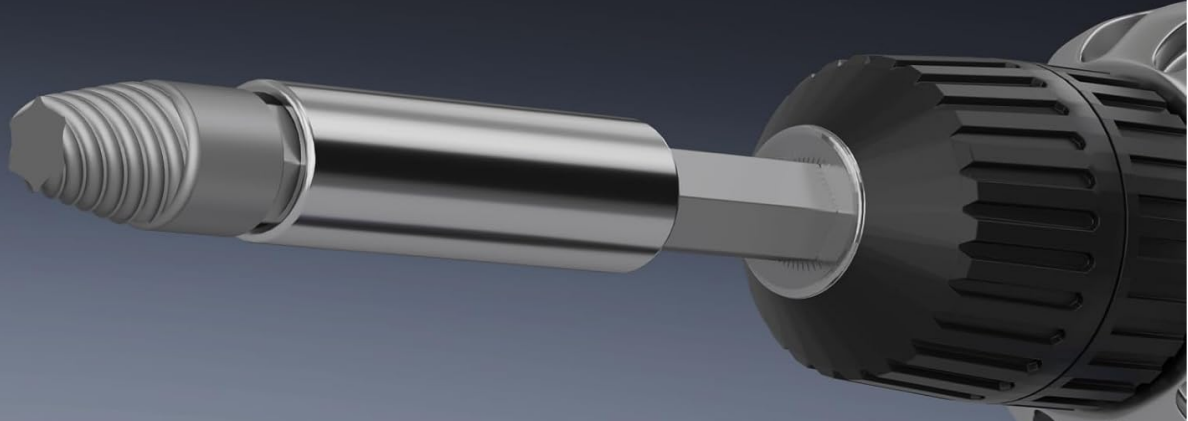
Before beginning any extraction task, ensure you have the necessary tools and have prepared your workspace.

1. **Identify the Damaged Screw:** Assess the type and size of the damaged screw or bolt. The kit is

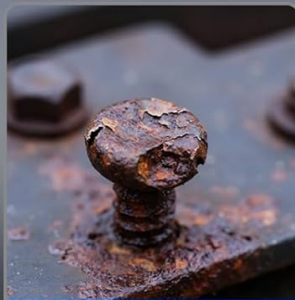
compatible with 3-12 mm screws and bolts.

2. **Select the Correct Bit Size:** Choose a drill bit (marked 'Dr') that is slightly smaller than the head of the damaged screw. The corresponding extractor bit (marked 'Ex') will have the same number.
3. **Prepare Your Drill:** Insert the selected drill bit into your power drill or impact driver. If needed, use the magnetic extension shaft or socket adapter for better reach or compatibility.

APPLICABLE TO MULTIPLE TYPES



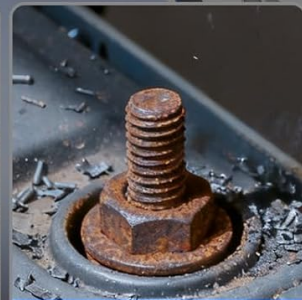
Screw Break



Thread Damage



Screw Stuck



Hard To Take Out



Suitable for various types of screws, such as wood screws, precision screws, self-tapping screws, machine screws, etc.

Image: Illustration showing different types of damaged screws, including screw break, thread damage, screw stuck, and hard-to-take-out screws, demonstrating the versatility of the extractor set.

OPERATING INSTRUCTIONS

Follow these steps carefully for successful screw extraction:

1. **Drill a Pilot Hole:**

HOW TO USE



Image: A four-panel diagram illustrating the screw extraction process. The first panel shows selecting the correct bit size, and the second panel shows drilling a pilot hole into the center of a damaged screw.

Using the selected drill bit (Dr#), drill a pilot hole directly into the center of the damaged screw head.

Apply steady, firm pressure and use a low drill speed. Ensure the hole is deep enough to accommodate the extractor bit.

2. Insert the Extractor:

HOW TO USE



Image: The third panel shows inserting the extractor bit into the pilot hole, and the fourth panel shows turning the extractor counterclockwise to remove the screw.

Remove the drill bit from your power tool and insert the corresponding extractor bit (Ex#). The extractor bit has a tapered, reverse-threaded tip designed to bite into the pilot hole.

3. Turn and Extract:

Set your drill to a reverse (counterclockwise) rotation. Place the extractor bit firmly into the pilot hole. Apply steady downward pressure and begin turning the drill at a low speed. The extractor will bite into the screw, allowing you to slowly turn and remove the damaged screw. Continue until the screw loosens and can be fully extracted.

Your browser does not support the video tag.

Video: An official STREBITO demonstration showing the step-by-step process of using the screw extractor set to remove a stripped screw from a wooden surface. It highlights drilling the pilot hole and then using the extractor bit to successfully remove the screw.

Your browser does not support the video tag.

Video: A seller-provided review demonstrating the screw extractor kit in action. The video shows the user successfully drilling into a damaged screw and then extracting it using the appropriate bit and a power drill, showcasing the ease of use and effectiveness of the tool.

MAINTENANCE

Proper maintenance ensures the longevity and performance of your STREBITO screw extractor set:

- **Cleaning:** After each use, clean all bits to remove any metal shavings or debris. A brush or compressed air can be used.
- **Lubrication:** Apply a light coat of oil to the bits, especially the extractor threads, to prevent rust and ensure smooth operation.
- **Storage:** Always store the bits securely in the provided zippered canvas bag. This protects them from damage and keeps them organized.
- **Inspection:** Periodically inspect bits for wear or damage. Replace any worn or broken bits to maintain optimal performance.



Image: A hand placing the compact zippered canvas bag containing the screw extractor set into a backpack pocket, illustrating its portability and ease of storage.

TROUBLESHOOTING

If you encounter issues while using the screw extractor set, consider the following:

- **Extractor Not Biting:** Ensure the pilot hole is deep enough and the extractor bit is firmly seated. The extractor bit should be slightly larger than the pilot hole to create a strong grip. Increase downward pressure while turning at a low speed.
- **Bit Slipping:** This often indicates incorrect bit size or insufficient pressure. Re-evaluate the screw size and select a slightly larger extractor if possible. Maintain consistent, firm downward pressure.
- **Screw Still Stuck:** For extremely stubborn screws, apply penetrating oil and allow it to soak for some time before attempting extraction again. Ensure you are turning counterclockwise.
- **Bit Breakage:** Bits can break if excessive force is applied or if the wrong size is used. Always use a low drill speed and avoid sudden jerking motions. Ensure the bit is made of high-speed steel (HSS 4341) or S2 Steel for durability.

SPECIFICATIONS

Feature	Detail
Material	High-Speed Steel (HSS 4341), S2 Steel, CRV Screwdriver Bits
Hardness	60-65HRC
Compatibility	3-12 mm screws and bolts
Set Contents	20 x Screw Extractors, 10 x Screwdriver Bits, 1 x Magnetic Extension Shaft, 1 x Socket Adapter
Storage	Zippered Canvas Bag
Item Weight	8.3 ounces
Package Dimensions	5.43 x 5.39 x 0.63 inches

HIGH QUALITY



S2/CRV/HSS 4341



Power and Hand Tools



60-65 HRC Steel



10 PCS Extra Screw Bits



Secure Case

Image: Close-up view of various bits from the STREBITO set, highlighting the materials used such as S2, CRV, and HSS 4341, emphasizing their high quality and durability.

WARRANTY AND SUPPORT

STREBITO is dedicated to providing exceptional customer service and stands behind its products. If you encounter any issues with your screw extractor kit or have any questions during use, please contact us immediately. We are happy to assist you and resolve any concerns. Your satisfaction is our priority. For further assistance, please visit our official website or contact our customer support team through the details provided with your purchase.