

Haudio 7621

Haudio 7-Inch Double Din Car Stereo User Manual

Model: 7621

1. INTRODUCTION

This manual provides detailed instructions for the installation, operation, and maintenance of your Haudio 7-Inch Double Din Car Stereo. Please read this manual thoroughly before using the product to ensure proper function and to prevent damage.

2. SAFETY INFORMATION

- **Professional Installation Recommended:** For optimal performance and safety, professional installation by a qualified car audio technician is highly recommended.
- **Power Supply:** Ensure the unit is connected to a 12V DC power supply with negative grounding.
- **Wiring:** Incorrect wiring can cause damage to the unit or the vehicle. Refer to the wiring diagram carefully.
- **Driving Safety:** Do not operate the unit in a way that distracts you from driving. Always prioritize road safety.
- **Temperature:** Avoid exposing the unit to extreme temperatures or direct sunlight for extended periods.

3. PACKAGE CONTENTS

Verify that all items are present in the package:

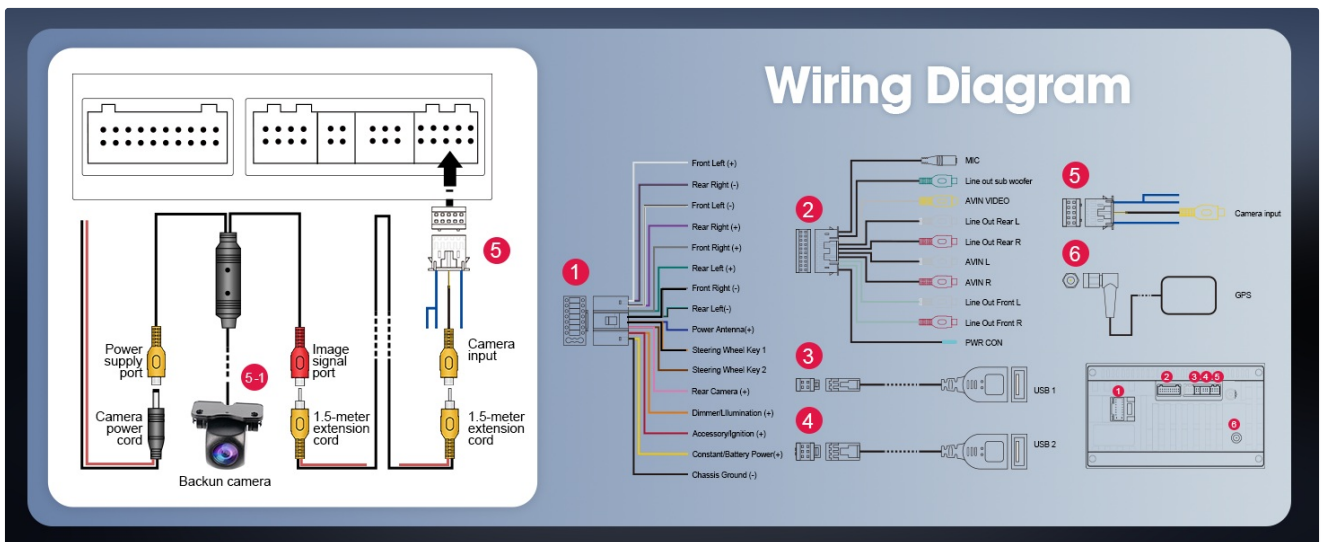


Image: Package contents diagram, showing the main unit, backup camera, RCA cables, GPS antenna, power cable, metal frame, camera input cable, USB cables, and instruction manual.

- Main Head Unit
- Backup Camera (if included in your model)
- RCA Cables
- GPS Antenna
- Power Cable
- Metal Frame
- Camera Input Cable
- USB Cables
- Instruction Manual

4. PRODUCT OVERVIEW

The Haudio 7-Inch Double Din Car Stereo features a high-definition IPS touchscreen and runs on Android OS, offering a versatile in-car entertainment and navigation experience.



Image: Display features, showing custom lighting effects and the benefits of the high-definition IPS screen.

7 Inch High Touch Screen

-  **HD** 1024*600
-  **Responsive**
-  **Smart Chip**



Image: Performance overview, illustrating key specifications like Android 13, Bluetooth 4.1, 4-core processor, memory, and screen resolution.

Key Features:

- 7-Inch IPS Touchscreen (600x1024 resolution)
- Wireless CarPlay & Android Auto (wired option available)
- Bluetooth 4.1 for hands-free calls and audio streaming
- Built-in GPS/QZSS/SBAS for navigation
- Supports 720P AHD rearview camera (included)
- Android OS with 2GB RAM + 32GB ROM
- 2.4GHz WiFi connectivity
- Customizable UI themes and split-screen multitasking

5. INSTALLATION

Proper installation is crucial for the functionality and safety of your car stereo. It is recommended to have this unit installed by a professional.

Pre-Installation Checks:

1. **Dashboard Compatibility:** Ensure your car's dashboard opening size fits the double din standard (7 x 4 x 1.89 inches). If not, an additional dash kit may be required.
2. **Vehicle Compatibility:** Some car models may require specific wire harness adapters and radio antenna adapters. Consult with customer service or a professional installer for your specific vehicle.
3. **Power Disconnection:** Always disconnect the vehicle's battery before starting installation to prevent electrical shorts.

Wiring Diagram:

Refer to the following diagram for correct wiring connections. Incorrect wiring can damage the unit or vehicle electrical system.



Image: Comprehensive wiring diagram for the car stereo system.

Backup Camera Installation:

The included 720P AHD rearview camera provides a 140° wide-angle view for safer reversing. Connect the camera according to the wiring diagram. Ensure the camera is mounted securely and provides a clear view of the rear.



Image: Rear view camera features, including HD image, night vision, and waterproof design.

6. SETUP AND OPERATION

Initial Power On:

1. After installation, reconnect the vehicle battery.
2. Turn on the vehicle ignition. The unit should power on automatically.
3. Follow any on-screen prompts for initial setup, such as language selection and time zone.

Wireless CarPlay & Android Auto:

This unit supports both wireless and wired CarPlay/Android Auto for seamless smartphone integration.



Image: CarPlay and Android Auto interfaces.

1. **For Wireless Connection:** Enable Bluetooth and Wi-Fi on your smartphone. Pair your phone with the car stereo via Bluetooth. Once paired, the unit will prompt you to start CarPlay or Android Auto wirelessly.
2. **For Wired Connection:** Connect your smartphone to the unit's USB port using a certified USB cable. The unit will automatically detect and launch CarPlay or Android Auto.

Bluetooth Connectivity:

Pair your phone to the unit for hands-free calling and audio streaming.

1. Go to the Bluetooth settings on the car stereo.
2. Enable Bluetooth on your smartphone and search for available devices.
3. Select the car stereo's Bluetooth name (e.g., "Haudio Car Stereo") from your phone's list and confirm pairing.

GPS Navigation:

The unit has built-in GPS for navigation. Ensure the GPS antenna is properly installed and positioned for optimal signal reception.

Voice Control (Siri/Google Assistant):

Utilize voice commands for navigation, calls, and music playback through Siri or Google Assistant.

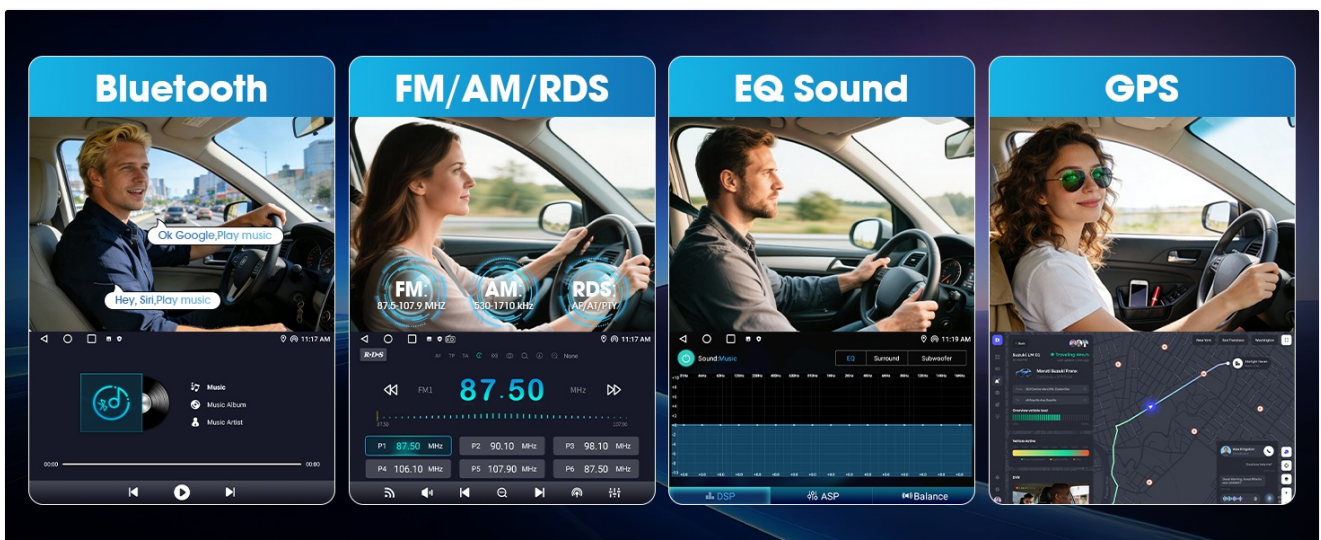


Image: Voice control functionality with Siri and Google Assistant.

- Activate voice control by saying "Hey Siri" or "OK Google" (if configured) or by pressing the voice command button on the unit or steering wheel (if supported).
- Speak your command clearly.

Multimedia Playback:

The unit supports various audio and video formats. Use the built-in media player to access content from USB drives or streaming apps.



Image: Multimedia and navigation features, including Bluetooth, FM/AM/RDS, EQ settings, and GPS.

Customization:

The Android OS allows for extensive customization, including UI themes and multitasking options.



Image: Various UI themes available for customization.



Image: Split-screen and picture-in-picture multitasking.

7. MAINTENANCE

- **Screen Cleaning:** Use a soft, lint-free cloth to clean the touchscreen. Avoid abrasive cleaners or solvents.
- **Software Updates:** Periodically check for software updates to ensure optimal performance and access to new features.
- **Environmental Conditions:** Protect the unit from extreme heat, cold, and moisture.

8. TROUBLESHOOTING

If you encounter issues, refer to the following common problems and solutions:

Problem	Possible Cause	Solution
Unit does not power on	Incorrect wiring, blown fuse, power supply issue	Check power connections, inspect fuses, ensure proper 12V DC supply.
No sound	Speaker wiring issue, volume too low, mute activated	Verify speaker connections, increase volume, check mute settings.
CarPlay/Android Auto not connecting	Bluetooth/Wi-Fi off, incorrect USB cable, phone compatibility	Ensure Bluetooth/Wi-Fi is on, use a certified USB cable, check phone settings.
GPS signal lost	GPS antenna obstruction or improper placement	Relocate GPS antenna to a clear view of the sky.
Backup camera not displaying	Camera wiring issue, camera power supply, incorrect input selected	Check camera connections, ensure camera receives power, verify reverse gear engagement.

For issues not listed here, please contact customer support.

9. SPECIFICATIONS

Detailed technical specifications for the Haudio 7-Inch Double Din Car Stereo:



Image: Product dimensions and packing list.

Feature	Specification
Product Dimensions	7 x 4 x 1.89 inches
Item Weight	2.44 pounds
Model Number	7621
Display Size	7-inch IPS Touchscreen
Display Resolution	1024x600
Operating System	Android OS

Feature	Specification
RAM + ROM	2GB + 32GB
Processor	Quad-Core
Connectivity	Bluetooth 4.1, 2.4GHz WiFi
Special Features	Wireless CarPlay, Android Auto, GPS Navigation, Backup Camera, FM/AM/RDS, YD7388 Amplifier, Customizable UI, Split Screen, OTG, Zlink, Hi Siri, OK Google
Audio Output Mode	Surround
Surround Sound Config	5.1
Video Encoding	H.265/HEVC

10. WARRANTY AND SUPPORT

For product compatibility inquiries, technical assistance, or warranty claims, please contact Haudio customer service.

- **Customer Service Availability:** 7 days a week, 12 hours a day.
- **Compatibility Check:** Before purchase or installation, it is recommended to send a photo of your car's center console to customer service for compatibility consultation.

Note: Product compatibility depends on specific vehicle models. Please ensure your vehicle meets the installation requirements.

11. PRODUCT VIDEOS

Watch these videos for additional guidance on features and operation:

Your browser does not support the video tag.

Video: Detailed overview and demonstration of the car stereo's features and functionalities (3:14 duration).

Your browser does not support the video tag.

Video: Demonstration of specific features and user interface interactions (2:12 duration).