

Manuals+

[Q & A](#) | [Deep Search](#) | [Upload](#)

Manuals.plus /

> [TOTTE](#) /

> TOTTE Smart Bidet Toilet Seat User Manual - Elongated Heated Seat Model SY-KF630004US-01HDN-001

TOTTE SY-KF630004US-01HDN-001

TOTTE Smart Bidet Toilet Seat User Manual

Model: SY-KF630004US-01HDN-001 (Elongated Heated Seat)

Brand: TOTTE

1. INTRODUCTION

This manual provides detailed instructions for the installation, operation, and maintenance of your TOTTE Smart Bidet Toilet Seat. Please read this manual thoroughly before installation and use to ensure proper function and safety. Keep this manual for future reference.



Image 1.1: The TOTTE Smart Bidet Toilet Seat in a modern bathroom environment.

2. SAFETY INFORMATION

Observe all safety precautions to prevent injury or damage. This device is for household use only. Do not immerse the unit in water. Ensure the power outlet is properly grounded. Disconnect power before cleaning or maintenance. Do not use abrasive cleaners.

- **Electrical Safety:** Ensure the power supply matches the product's requirements (AC 110V, 60Hz). Do not overload the circuit.
- **Water Supply:** Use only clean, potable water. Ensure all connections are secure to prevent leaks.
- **Temperature:** Avoid setting water or seat temperatures too high, especially for prolonged periods.

3. PACKAGE CONTENTS

Verify that all components are present before beginning installation:

- TOTTE Smart Bidet Toilet Seat
- Remote Control with Wall Mount
- Stainless Steel Water Filter
- 7/8" and 3/8" T-Valve for water connection
- Water Hose
- Mounting Plate, SS Plates, Bolts, and Nuts for installation
- User Manual



Image 3.1: Overview of all included installation accessories and the remote control.

4. PRODUCT FEATURES

The TOTTE Smart Bidet Toilet Seat offers a range of advanced features for enhanced hygiene and comfort:

- **Auto Open & Close Lid:** Sensor-activated lid automatically opens upon approach and closes after use.
- **Permanent Stainless Steel Filter:** Built-in micro-filter ensures clean water without replacement needs.
- **Heated Toilet Seat:** Adjustable seat temperature for comfort.
- **Warm Air Dryer:** Gentle, hands-free drying with adjustable temperature.
- **Instant Thermostatic Warm Water:** Continuous supply of warm water for washing.
- **Multiple Wash Modes:** Includes Posterior Wash, Feminine Wash, Oscillating Wash, Water Massage, and Gentle Wash for children.
- **Self-Cleaning Nozzles:** Nozzles clean themselves before and after each use.
- **Remote Control:** Convenient operation of all functions.
- **Night Light:** Soft LED illumination for nighttime use.
- **ECO Mode:** Energy-saving function.

AUTOMATIC OPEN & CLOSE



Radar Sensor
Technology



Enjoy hands-
free service

Image 4.1: The automatic open and close lid function, activated by radar sensor technology.

NO FILTER REPLACEMENT REQUIRED



Effectively Filters Limescale



Upgrade Stainless Steel Filter

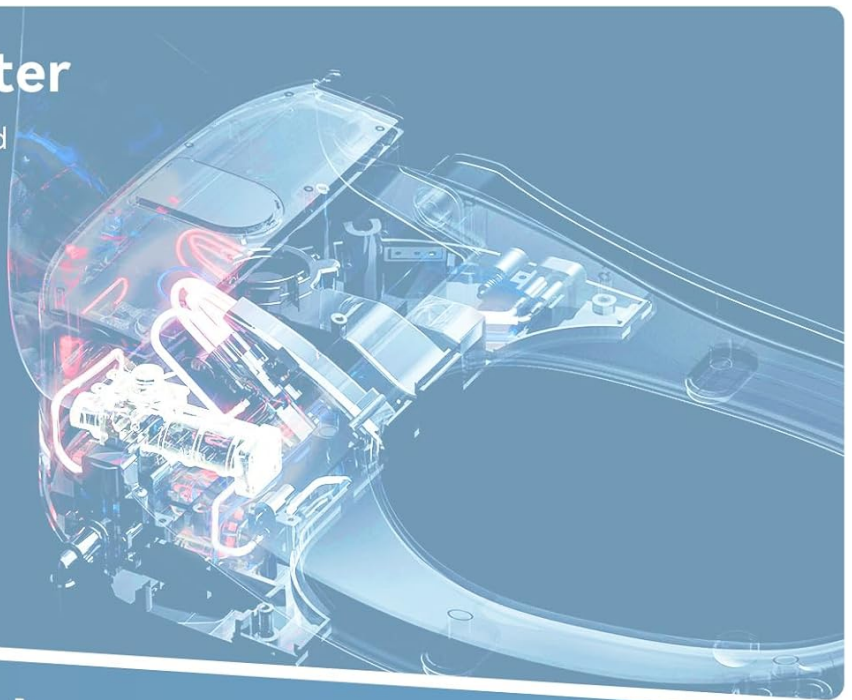
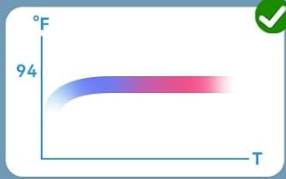
Image 4.2: The permanent stainless steel filter, designed to effectively filter limescale and impurities from the water.



Image 4.3: Visual representation of the dual-coil heated seat with four temperature levels (Off, 90°F, 97°F, 104°F) and the warm air drying function with four temperature levels (Off, 113°F, 122°F, 131°F).

Instant Hot Water

Unlimited hot water supply and constant temperature washing



5 Cleaning Modes

SPA: Alternating hot and cold water wash



Image 4.4: The instant hot water system providing constant temperature washing, alongside five cleaning modes: Rear Wash, Front/Feminine Wash, Gentle Wash (for children), Power Wash, and SPA (alternating hot and cold water wash).



Image 4.5: Additional features such as body sensing, silent slow drop lid, IPX4 waterproof rating, and a night light for convenience.

5. SETUP & INSTALLATION

Follow these steps to properly install your TOTTE Smart Bidet Toilet Seat. Ensure the toilet is clean and dry before installation.

5.1. Confirm Toilet Size

Before installation, confirm your toilet dimensions match the bidet seat requirements. The bidet seat is designed for elongated toilets with specific measurements.

CONFIRM YOUR TOILET SIZE

Please Check the Size Data Carefully Before Purchasing!



We offer 7/8'' and 3/8'' American standard T-joints.

Image 5.1: Diagram showing key measurements for toilet compatibility, including length (17.5-18.6" and >20.4") and bolt hole spacing (4.5-7.3"). An outlet is required, and the power cord length is 1.2m.

5.2. Mounting the Bidet Seat

1. Remove your existing toilet seat.
2. Install the provided nuts into the toilet bowl holes.
3. Place the mounting plate over the nuts, ensuring it is centered.
4. Insert the SS plates and tighten the screws to secure the mounting plate.
5. Slide the bidet toilet seat onto the mounting plate until it clicks into place.

5.3. Water Connection

1. Turn off the water supply to your toilet.
2. Disconnect the existing water supply hose from the toilet tank.
3. Install the provided T-valve between the toilet tank and the water supply hose.
4. Cut the water hose to the appropriate length and insert it into both ends of the stainless steel filter.
5. Connect one end of the filtered water hose to the bidet seat's water inlet and the other end to the T-valve.
6. Turn on the water supply and check for leaks.

5.4. Electrical Connection

Plug the bidet seat's power cord into a grounded electrical outlet. Ensure the outlet is within reach and is suitable for bathroom use.

5.5. Installation Video Guide

Your browser does not support the video tag.

Video 5.1: A step-by-step guide on how to install the TOTTE Smart Bidet Toilet Seat, covering mounting and water connections.



Image 5.2: Visual steps for installation: 1. Assembly Accessories, 2. Install Toilet Bidet, 3. Cut PE pipe and insert into filter, 4. Installation completed.

6. OPERATING INSTRUCTIONS

Operate your bidet seat using the included remote control or the side control panel.

6.1. Remote Control Functions

The remote control allows access to all features:

- **Stop:** Halts all current operations.
- **Dry:** Activates the warm air dryer.
- **Water Temperature:** Adjusts water temperature.
- **Light:** Turns the night light on/off.
- **Front:** Activates feminine wash.
- **Air Temperature:** Adjusts air dryer temperature.
- **Eco:** Activates energy-saving mode.
- **Rear:** Activates posterior wash.
- **Seat Temperature:** Adjusts heated seat temperature.
- **Spa:** Alternating hot and cold water wash.
- **Pressure:** Adjusts water pressure.
- **Soft:** Gentle wash mode.
- **Position:** Adjusts nozzle position.
- **Strong:** Strong wash mode.
- **Open/Auto:** Controls automatic lid opening/closing.

Wireless Remote Control



Image 6.1: The wireless remote control displaying all available functions for the bidet seat.

6.2. Side Control Panel

Basic functions can also be accessed via the side control panel on the bidet seat:

- **Dryer:** Activates the warm air dryer.
- **Front:** Activates feminine wash.
- **Rear:** Activates posterior wash.
- **Stop:** Halts all current operations.

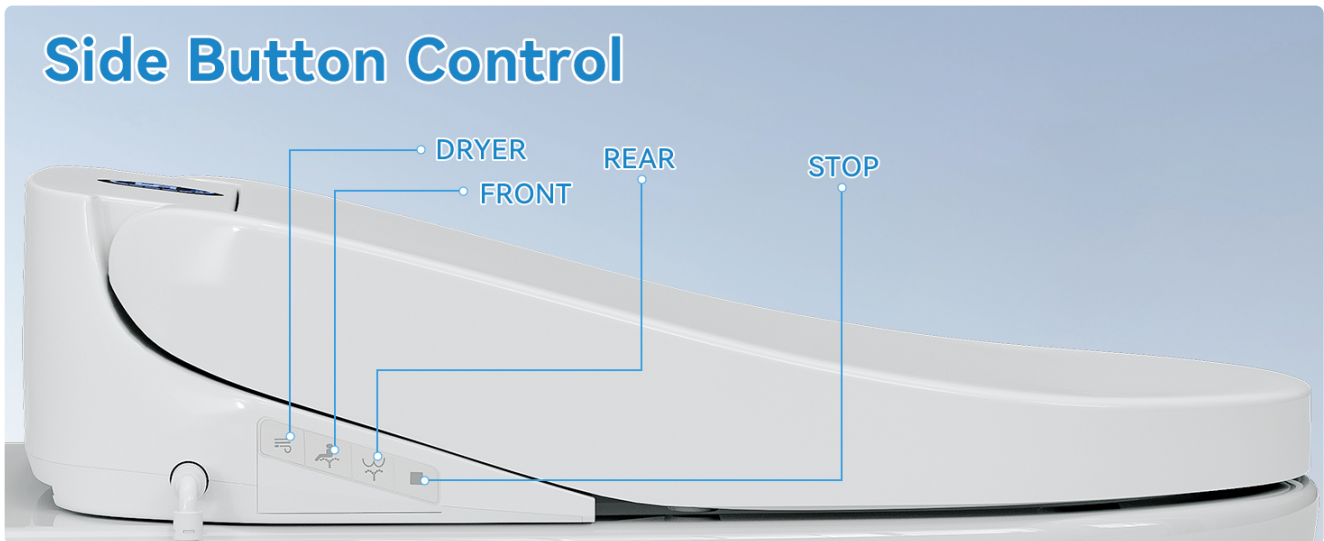


Image 6.2: The side control panel with buttons for Dryer, Front wash, Rear wash, and Stop.

6.3. Functional Video Guide

Your browser does not support the video tag.

Video 6.3: A demonstration of the various functions of the TOTTE Smart Bidet Toilet Seat, including auto open/close, cleaning modes, and heating.

6.4. Remote Control Usage Video

Your browser does not support the video tag.

Video 6.4: A detailed video demonstrating how to use the remote control to operate the bidet seat's features.

7. MAINTENANCE

Regular maintenance ensures optimal performance and hygiene of your bidet seat.

7.1. Filter Cleaning

The stainless steel filter is permanent and does not require replacement. Periodically inspect the filter for accumulated sediment. To clean, turn off the water supply, remove the filter, rinse it under running water, and reattach. Ensure it is securely fastened to prevent leaks.

7.2. Nozzle Cleaning

The bidet features self-cleaning nozzles. For additional cleaning, you can manually extend the nozzles (refer to remote control functions) and gently wipe them with a soft cloth and mild, non-abrasive cleaner. Do not use harsh chemicals.

7.3. General Cleaning

Wipe the exterior of the bidet seat with a soft, damp cloth and a mild detergent. Avoid spraying water directly onto the electrical components. Do not use abrasive materials or strong chemical cleaners.

8. TROUBLESHOOTING

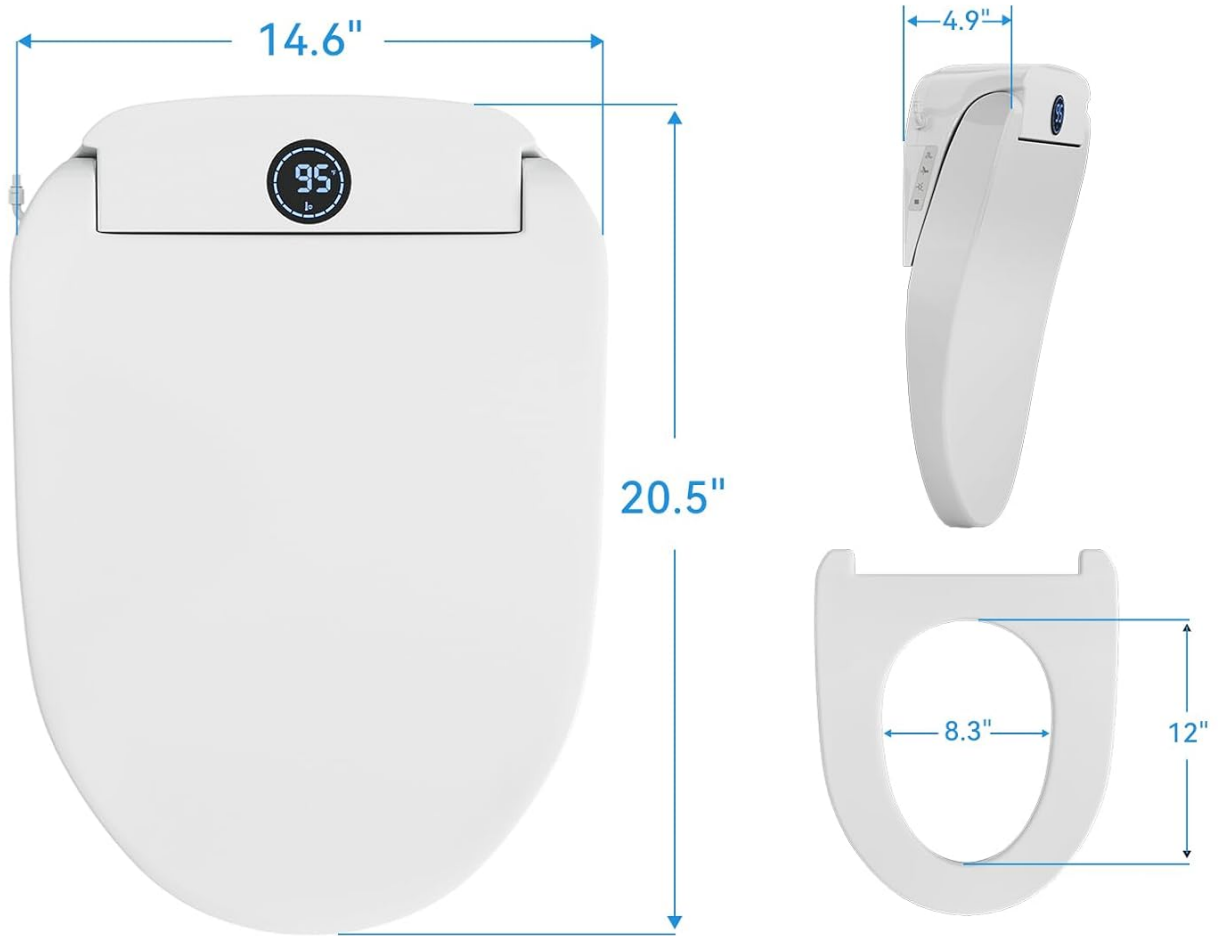
If you encounter issues with your bidet seat, refer to the following common problems and solutions:

- **No Power:** Check if the power cord is securely plugged into a grounded outlet. Verify the outlet is functional.
- **No Water Spray:** Ensure the water supply valve is fully open. Check if the water hose is properly connected and not kinked. Verify the filter is not clogged.
- **Water Temperature Issues:** Adjust the water temperature setting on the remote control. Allow a few moments for the instant heating system to reach the desired temperature.
- **Seat Cushion Length (Installation Adjustment):** If the seat cushion is too short, move the mounting plate downward. If the seat cushion is too long, move the mounting plate upward. This adjustment ensures proper fit and function.
- **Lid Not Opening/Closing Automatically:** Ensure the body sensor is clean and unobstructed. Check the auto-open/close setting on the remote control.

9. SPECIFICATIONS

Feature	Specification
Brand	TOTTE
Model Number	SY-KF630004US-01HDN-001
Style	Elongated
Color	White
Material	Polypropylene (PP)
Product Dimensions	20.5"L x 14.6"W
Item Weight	10.73 pounds (4.88 Kilograms)
Rated Voltage	AC 110V

Rated Frequency	60Hz
Water Pressure	0.08MPa-0.8MPa
Power Cord Length	1.2M



Rated Voltage:	AC 110V
Water Pressure:	0.08MPa-0.8MPa
Rated Frequency:	60Hz
Power Cord Length:	1.2M

Image 9.1: Detailed product dimensions (14.6"W x 20.5"L) and electrical specifications including Rated Voltage (AC 110V), Water Pressure (0.08MPa-0.8MPa), Rated Frequency (60Hz), and Power Cord Length (1.2M).

10. WARRANTY & SUPPORT

For warranty information or technical support, please refer to the contact details provided on the product packaging or the official TOTTE website. Keep your purchase receipt as proof of purchase.



