



[Manuals.plus](#) /

› [LUMISOL](#) /

› LUMISOL Twin Daybed with Trundle, Desk, and Storage - Instruction Manual

LUMISOL ATAS8533

LUMISOL Twin Daybed with Trundle, Desk, and Storage - Instruction Manual

Model: ATAS8533 / ARYT9644

IMPORTANT SAFETY INFORMATION

Please read all instructions carefully before assembly and use. Keep this manual for future reference.

- Ensure all parts are present and undamaged before beginning assembly. Contact customer support immediately if any parts are missing or damaged.
- Assembly should be performed by two adults to prevent injury and ensure proper construction.
- Always use the provided hardware. Do not substitute parts.
- Place the daybed on a flat, stable surface during assembly.
- Tighten all connectors securely, but do not overtighten. Periodically check and re-tighten all connections.
- Do not allow children to climb on the daybed or trundle when not in use.
- The maximum weight capacity for the upper bed is 400 LBS, and for the trundle is 250 LBS. The desk capacity is 200 LBS, and shelves are 70 LBS. Do not exceed these limits.
- Recommended mattress thickness for the upper bed is 6-8 inches, and for the trundle is 6 inches.

PACKAGE CONTENTS

Verify that all components listed below are present in your package. All necessary tools for assembly are included.

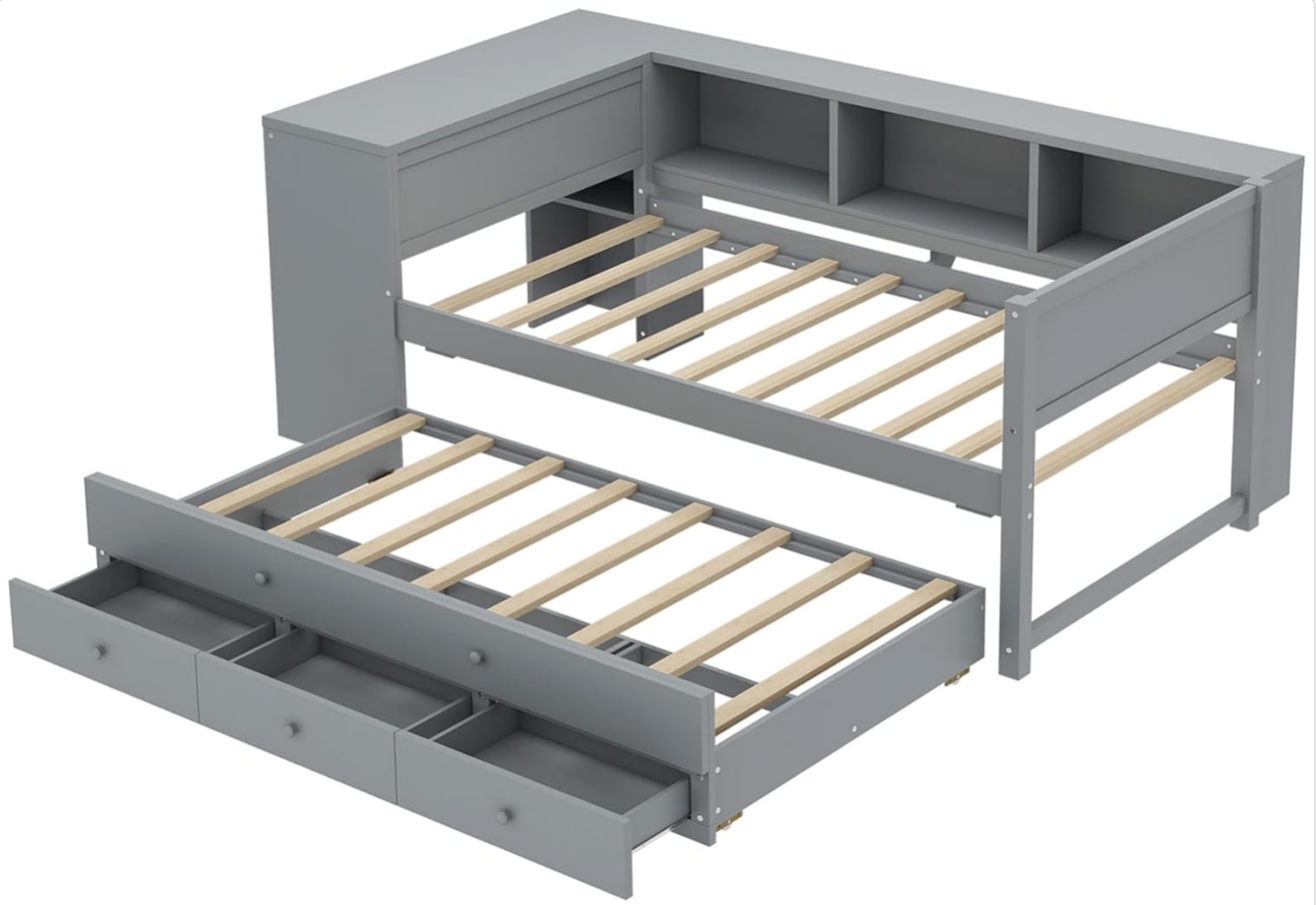


Image: Exploded view showing all individual components of the daybed, including frame pieces, slats, drawers, desk, and shelves.

Main Components:

- Daybed Frame (Headboard, Footboard, Side Rails)
- Trundle Frame
- Bed Slats for Upper Bed and Trundle
- Desk Panel and Supports
- Side Shelf Panels
- Storage Drawer Boxes (3 units)

Hardware Pack:

- Bolts, Screws, Washers, Nuts
- Allen Wrench (Hex Key)
- Drawer Pulls

ASSEMBLY INSTRUCTIONS

Follow these steps carefully for proper assembly. It is recommended to have two people for assembly.

Step 1: Assemble the Main Daybed Frame

1. Unpack all components and lay them out on a clean, soft surface to prevent scratches.
2. Attach the side rails to the headboard and footboard using the provided bolts and an Allen wrench. Do not fully tighten yet.
3. Ensure the frame is square, then fully tighten all bolts.

Step 2: Install Bed Slats

1. Place the wooden slats evenly across the daybed frame.
2. Secure each slat to the side rails using the provided screws.

Step 3: Assemble the Trundle Bed

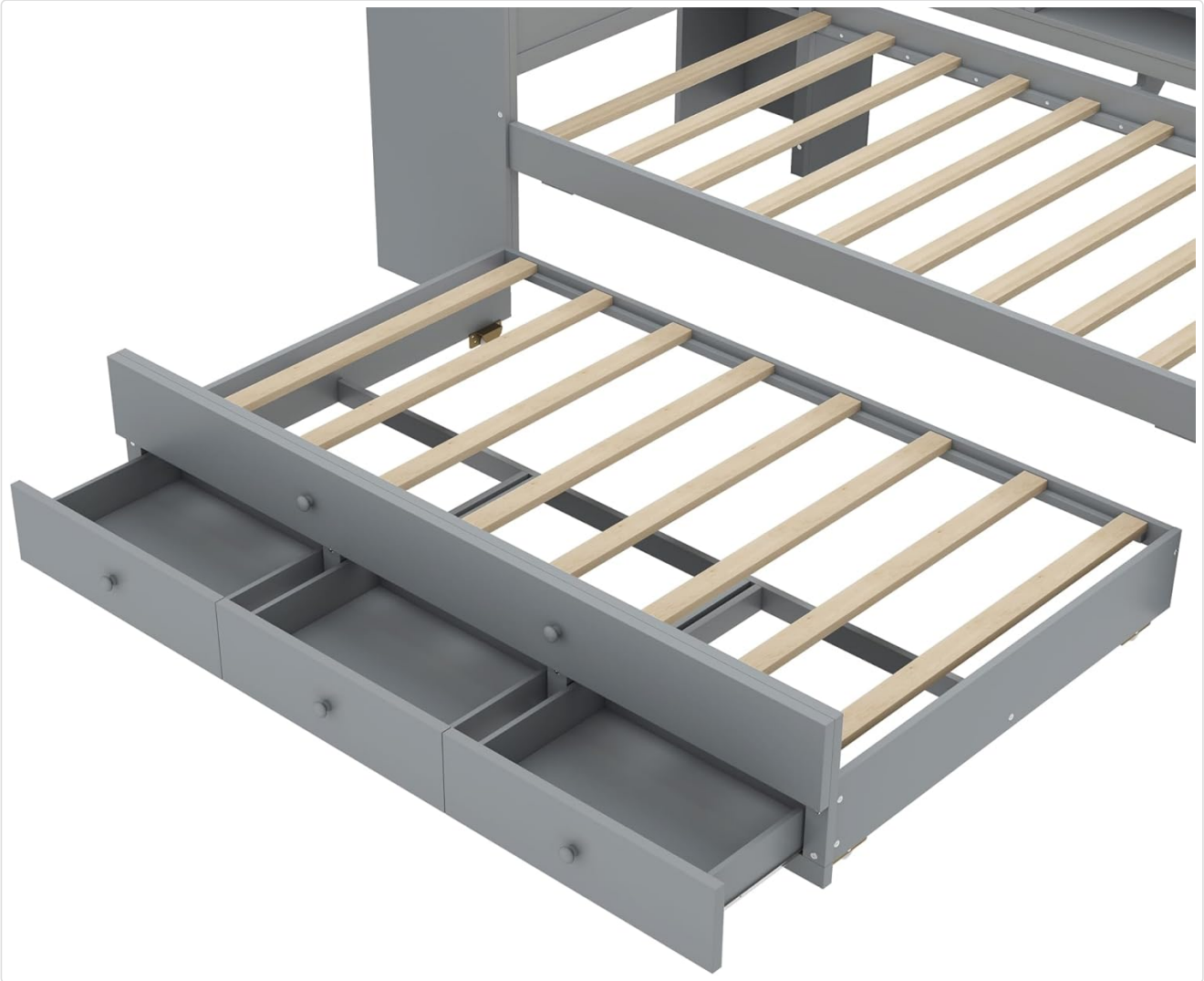


Image: Detailed view of the trundle bed, highlighting the integrated storage drawers and the slat support system.

1. Assemble the trundle frame following similar steps to the main daybed frame.
2. Install the trundle bed slats.
3. Attach the wheels to the bottom of the trundle frame.

Step 4: Assemble Storage Drawers

1. Assemble each drawer box according to the diagram, securing the sides, front, and back panels.
2. Slide the bottom panel into the grooves.
3. Attach the drawer pulls to the front of each drawer.
4. Insert the assembled drawers into the trundle unit.

Step 5: Attach Desk and Side Shelves



Image: Detailed view of the daybed's integrated desk surface and the multi-level side shelves, designed for convenient storage and display.

1. Secure the desk panel to the designated support structures on the daybed frame.
2. Assemble and attach the side shelf panels to the daybed frame using the appropriate hardware.

Step 6: Final Checks

- Ensure all bolts and screws are securely tightened.
- Check for stability and proper alignment of all components.
- Carefully slide the trundle in and out to ensure smooth operation.

Using the Trundle Bed:



Image: Side view of the LUMISOL daybed demonstrating the trundle bed fully pulled out, ready for use.

- To extend the trundle, gently pull the front panel of the trundle unit outwards from under the main daybed frame. The wheels will allow it to roll smoothly.
- To retract the trundle, push it back under the main daybed frame until it is fully nested.
- Ensure no obstructions are in the path of the trundle when extending or retracting.

Using the Storage Drawers:

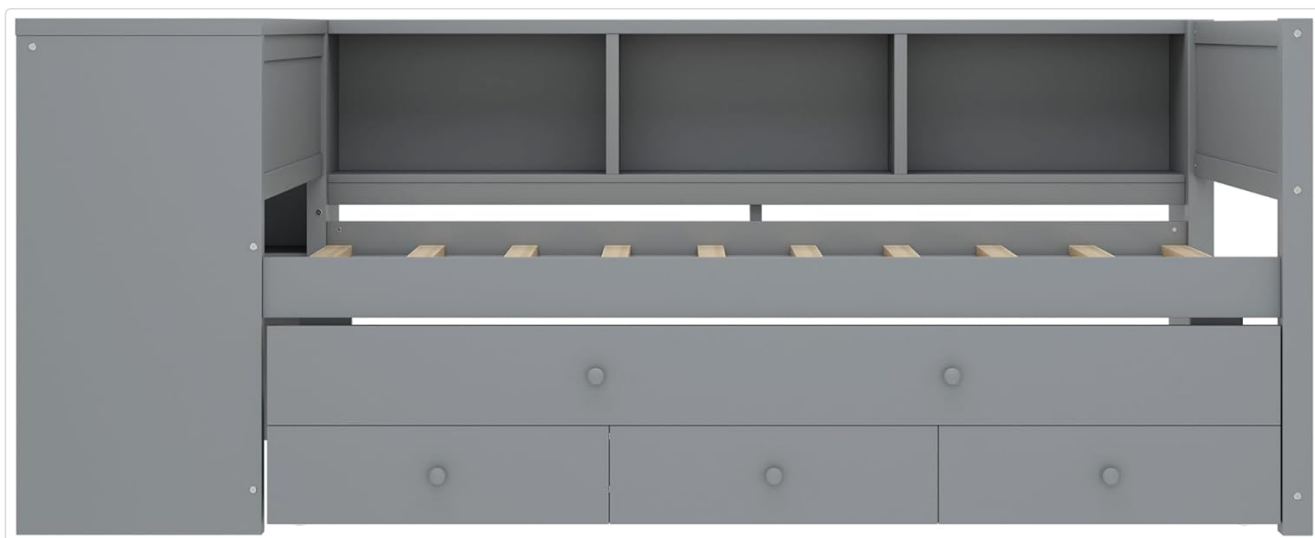


Image: Front view of the LUMISOL daybed with the trundle bed neatly tucked away, showcasing the three integrated storage drawers.

- The three storage drawers are integrated into the trundle unit. Pull the drawer pulls to open them.
- Push the drawers back in until they are flush with the trundle front.
- Avoid overloading the drawers to ensure smooth operation and prevent damage.

Using the Desk and Side Shelves:

- The integrated desk surface can be used for various purposes, such as holding drinks, a laptop, or decorative items.
- The side shelves provide additional storage for books, personal items, or small decorations.
- Do not place excessively heavy items on the desk or shelves to avoid exceeding weight limits.

Cleaning:

- Wipe surfaces with a soft, damp cloth.
- Avoid using harsh chemicals, abrasive cleaners, or polishes, as these can damage the finish.
- Promptly clean up spills to prevent staining.

Hardware Checks:

- Periodically (e.g., every 3-6 months) check all bolts, screws, and connections to ensure they remain tight. Retighten as necessary.
- Do not overtighten, as this can strip screws or damage the wood.

TROUBLESHOOTING

Squeaking Noises:

- **Cause:** Loose hardware or friction between wood components.
- **Solution:** Check and tighten all bolts and screws. If squeaking persists, disassemble the affected area, apply a small amount of paraffin wax or silicone spray to contact points, and reassemble.

Trundle Not Sliding Smoothly:

- **Cause:** Obstructions, damaged wheels, or uneven floor.
- **Solution:** Clear any objects from under the daybed. Inspect trundle wheels for damage or debris. Ensure the daybed is on a level surface.

Drawers Sticking or Misaligned:

- **Cause:** Overloaded drawers, loose drawer assembly, or debris in tracks.
- **Solution:** Reduce drawer contents. Check drawer assembly for tightness. Clean drawer tracks if applicable.

SPECIFICATIONS

Size: inch

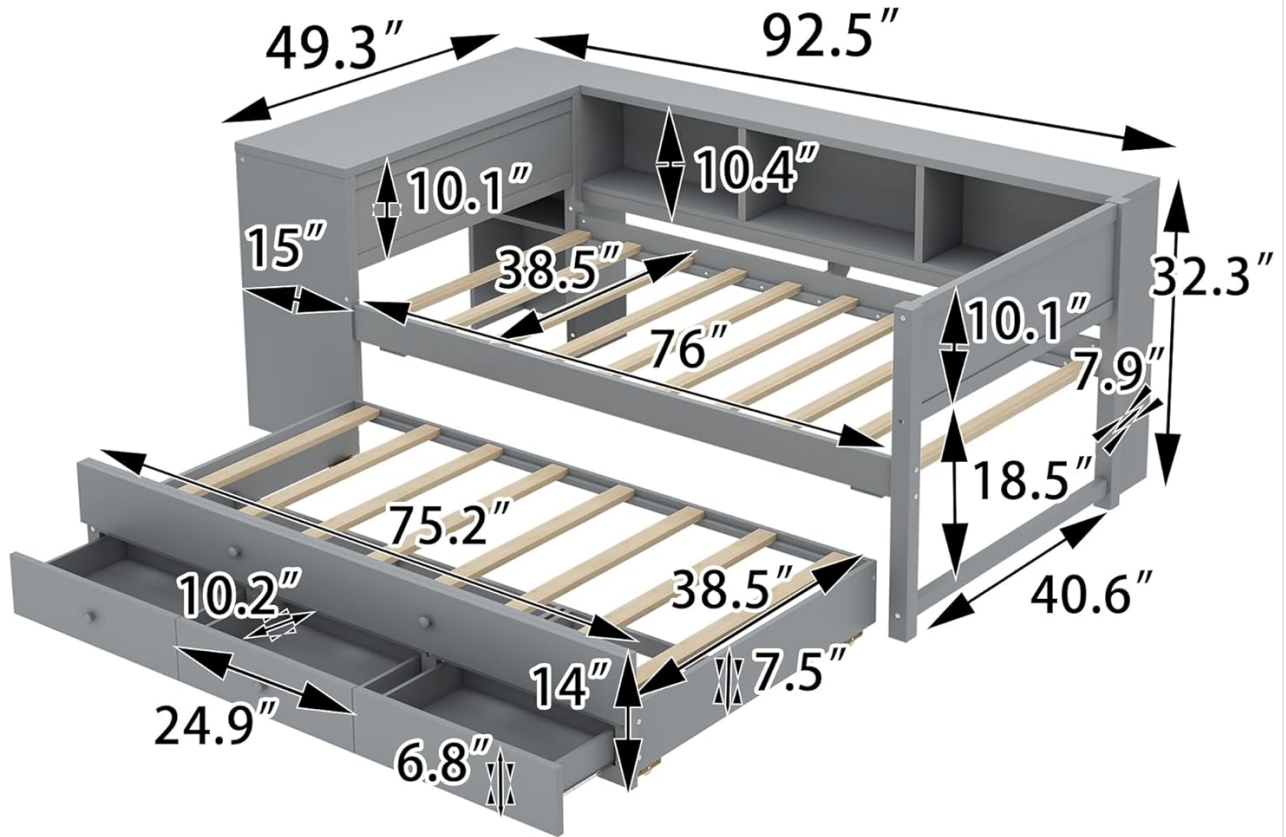


Image: Technical diagram illustrating all key dimensions of the daybed, including length, width, height, and internal measurements for the bed, trundle, desk, and shelves.

Feature	Detail
Product Type	Wood Daybed with Trundle, Desk, and Storage
Brand	LUMISOL
Model Numbers	ATAS8533, ARYT9644
Size	Twin
Color	Grey
Material	Pine Wood, Plywood, MDF (Engineered Wood)
Overall Product Dimensions	92.5"L x 49.3"W x 32.3"H
Overall Product Weight	152.12 LBS
Upper Bed Weight Capacity	400 LBS
Trundle Weight Capacity	250 LBS
Desk Weight Capacity	200 LBS
Shelf Weight Capacity	70 LBS

Recommended Mattress Thickness (Upper)	6"-8"
Recommended Mattress Thickness (Trundle)	6"
Assembly Required	Yes (Full Assembly Needed)
Included Components	All Tools
Country of Origin	Vietnam

WARRANTY INFORMATION

This product is typically covered by a 90-day return policy for refund or replacement, subject to the retailer's terms and conditions.

Extended protection plans may be available for purchase separately through your retailer. Please consult your purchase documentation for specific warranty details and coverage.

CUSTOMER SUPPORT

If you have any questions regarding the assembly, operation, or maintenance of your LUMISOL Twin Daybed, or if you encounter any issues, please contact the retailer or manufacturer's customer service department.

When contacting support, please have your model number (ATAS8533 / ARYT9644) and purchase information readily available.

PRODUCT OVERVIEW



Image: Overall view of the LUMISOL Twin Daybed in grey, showcasing its integrated desk, side shelves, and the trundle bed with storage drawers.



Image: The LUMISOL Twin Daybed with trundle extended, shown in a room setting, demonstrating its functional design and space-saving capabilities.



Image: The LUMISOL Twin Daybed with trundle retracted, shown in a room setting, highlighting its compact form and integrated storage features.

The LUMISOL Twin Daybed is designed to maximize space and functionality. It features a sturdy wood frame, an integrated desk, convenient side shelves, and a pull-out trundle bed with three storage drawers. This versatile furniture piece is suitable for various room types, offering both sleeping and storage solutions.