



Manuals.plus /

› DWVO /

› DWVO Makeup Vanity with Large Mirror and Lights, 46" Vanity Desk Dressing Table Set User Manual

## DWVO MADWVraar3

# DWVO Makeup Vanity with Large Mirror and Lights

**Model:** MADWVraar3 | **Brand:** DWVO

User Manual

---

## 1. INTRODUCTION

---

This manual provides comprehensive instructions for the assembly, operation, maintenance, and troubleshooting of your new DWVO Makeup Vanity with Large Mirror and Lights. Please read this manual thoroughly before assembly and use to ensure safe and efficient operation. Keep this manual for future reference.



Image 1.1: The DWVO Makeup Vanity with Large Mirror and Lights in Ivory White, featuring the vanity desk, mirror, and matching stool.

## 2. SAFETY INFORMATION

---

Observe the following safety precautions to reduce the risk of injury or damage to the product:

- Always assemble the product on a soft, clean surface to prevent scratches.
- Ensure all screws and fasteners are securely tightened before use. Periodically check and re-tighten as necessary.
- Do not overload drawers or shelves. Distribute weight evenly.
- Keep electrical components (mirror, power outlet) away from water or excessive moisture.
- Use only the provided power cord and ensure it is properly plugged into a grounded outlet.
- Do not attempt to modify or repair the electrical components yourself. Contact qualified personnel for service.
- Keep small parts and packaging materials away from children to prevent choking hazards.

## 3. PACKAGE CONTENTS

---

Before beginning assembly, verify that all components listed below are present and undamaged. If any parts are missing or damaged, contact customer support immediately.

- Vanity Desk Frame (Main sections)
- LED Mirror Unit
- Storage Stool
- 11 Drawer Units
- Drawer Handles and Runners
- Assembly Hardware (Screws, dowels, cam locks, etc.)
- Power Cord for LED Mirror/Outlet
- Hair Dryer Holder
- Instruction Manual (This document)

## 4. ASSEMBLY INSTRUCTIONS

---

Assembly typically requires two adults and a clear, spacious area. Follow the steps carefully. Do not overtighten screws.

1. **Unpack and Identify Parts:** Carefully remove all components from the packaging. Lay them out on a soft, clean surface to prevent scratches. Identify each part using the provided parts list (if applicable, refer to diagrams in the separate assembly guide).
2. **Assemble the Main Desk Frame:** Begin by connecting the side panels to the base and back panels of the vanity desk using the provided hardware. Ensure all connections are secure and stable.
3. **Install Drawer Runners:** Attach the drawer runners to the inside of the desk frame according to the pre-drilled holes. Ensure they are level and aligned for smooth drawer operation.
4. **Assemble Drawers:** Construct each of the 11 drawers by attaching the sides, front, and back panels to the drawer bottom. Install the drawer handles on the front panels.
5. **Insert Drawers:** Carefully slide the assembled drawers onto their respective runners within the vanity desk frame.
6. **Attach the LED Mirror Unit:** Secure the large LED mirror unit to the top surface of the vanity desk. Ensure it is centered and firmly attached using the designated fasteners.
7. **Assemble the Storage Stool:** Connect the legs to the stool seat. Ensure all connections are tight and the stool is stable.
8. **Install Hair Dryer Holder:** Attach the hair dryer holder to the side of the vanity desk as desired, using the provided hardware.
9. **Connect Power:** Plug the power cord from the LED mirror/power outlet unit into a standard wall outlet.



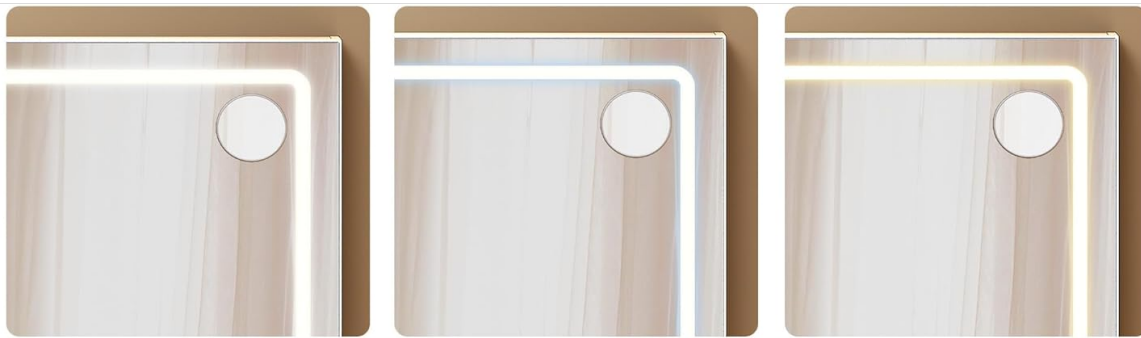
Image 4.1: Fully assembled DWVO Makeup Vanity with the stool positioned underneath.

## 5. OPERATING INSTRUCTIONS

### 5.1 LED Mirror Operation

The large mirror features integrated LED lighting with touch control for brightness and color temperature adjustments.

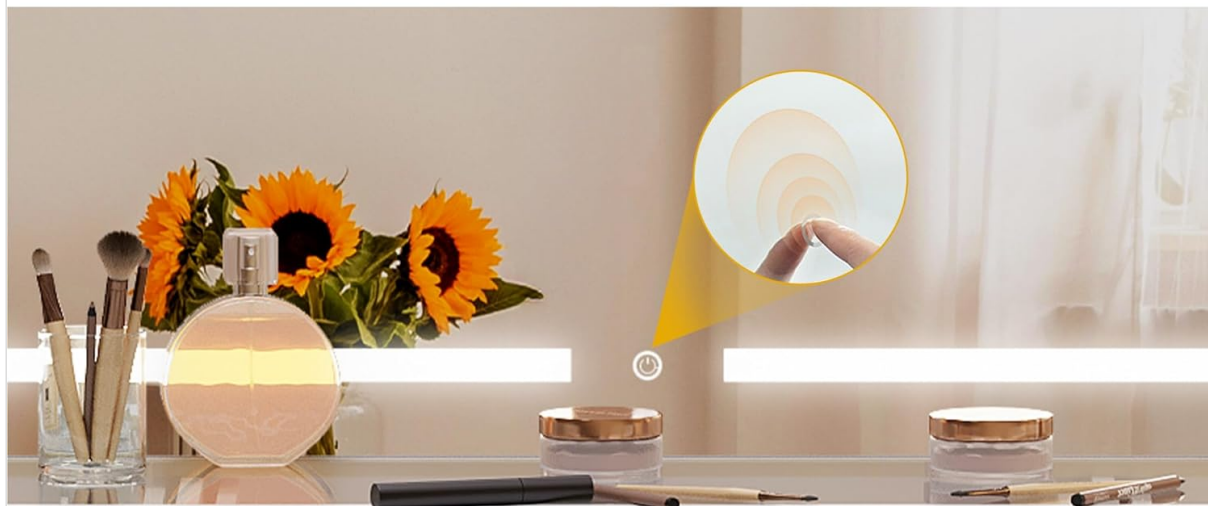
- **Power On/Off:** Lightly touch the power icon (usually a circle or button symbol) on the mirror surface to turn the lights on or off.
- **Adjust Brightness:** Press and hold the power icon to continuously adjust the brightness level. Release when the desired brightness is achieved.
- **Change Color Temperature:** Tap the color temperature icon (often a 'M' or sun symbol) to cycle through different light settings: Warm White, Cool White, and Warm Yellow.



Warm White

Cool White

Warm Yellow



## LED VANITY MIRROR

Long press to adjust brightness

Image 5.1: Visual representation of the three adjustable light color temperatures: Warm White, Cool White, and Warm Yellow, available on the LED mirror.

### 5.2 Integrated Power Outlet and USB Ports

The vanity desk is equipped with a built-in power station for convenience.

- **AC Outlets:** Use the two standard 125V/12A AC outlets to power hair dryers, curling irons, or other small appliances.
- **USB Ports:** Use the two 5V/2A USB ports to charge mobile phones, tablets, or other USB-powered devices.
- **Hair Dryer Cradle:** Utilize the dedicated cradle for convenient storage of your hair dryer when not in use.



## ATTACHED SOCKET



125V/12A  
(2 AC Outlets)



5V/2A  
(2 USB Ports)



4.7 Feet  
(Power Cord)

Image 5.2: Close-up view of the integrated power station, showing two AC outlets, two USB ports, and the hair dryer cradle.

### 5.3 Drawer Organization

The vanity features 11 drawers designed for organized storage of cosmetics, jewelry, and styling tools.

- Utilize the various drawer sizes to categorize and store items efficiently.
- Avoid placing excessively heavy items in drawers to ensure smooth operation and prevent damage.



# LARGE STORAGE

Large storage space, suitable for daily cosmetics placement and storage

Image 5.3: The vanity desk with multiple drawers open, illustrating the ample storage space for various items.

## 6. MAINTENANCE AND CARE

Proper care will extend the life and appearance of your vanity desk.

- **Cleaning:** Wipe surfaces with a soft, damp cloth. Avoid abrasive cleaners, harsh chemicals, or solvents that may damage the finish.
- **Mirror Care:** Clean the mirror surface with a glass cleaner and a lint-free cloth. Do not spray cleaner directly onto the mirror; apply it to the cloth first.
- **Spills:** Immediately wipe up any spills to prevent staining or damage to the engineered wood.
- **Hardware:** Periodically check all screws and fasteners to ensure they remain tight. Re-tighten if necessary.
- **Placement:** Avoid placing the vanity in direct sunlight or near heat sources, which can cause fading or warping.

## 7. TROUBLESHOOTING

Refer to the table below for common issues and their solutions.

<b>Problem</b>	<b>Possible Cause</b>	<b>Solution</b>
LED Mirror lights do not turn on.	Power cord is not plugged in or loose connection. Power outlet is not active. Touch sensor malfunction.	Ensure the power cord is securely plugged into both the vanity and a working wall outlet. Test the wall outlet with another device. Gently clean the touch sensor area. If problem persists, contact customer support.
Power outlets/USB ports are not working.	Vanity power cord is not plugged in. Device is not properly connected. Overload/Circuit breaker tripped.	Verify the vanity's main power cord is securely plugged in. Ensure devices are fully inserted into the outlets/ports. Unplug devices, wait a few minutes, and try again. Avoid plugging in high-power devices simultaneously.
Drawers are stiff or do not slide smoothly.	Drawer runners are misaligned or damaged. Drawers are overloaded. Obstruction in the drawer track.	Check alignment of drawer runners and re-tighten screws if loose. Reduce the weight in the drawer. Remove the drawer and inspect the track for any debris or obstructions.

## 8. SPECIFICATIONS

Key technical specifications for the DWVO Makeup Vanity:

Feature	Detail
Model Number	MADWVraar3
ASIN	B0FNMSYWS7
UPC	199449601791
Overall Product Dimensions (L x W x H)	46" x 15.7" x 55.9" (117cm x 40cm x 142cm)
Mirror Dimensions (W x H)	46" x 24.4" (117cm x 62cm)
Material	Engineered Wood
Color	Ivory White
Item Weight	121.8 pounds (55.25 kg)
Power Outlet Specifications	2 x 125V/12A AC Outlets, 2 x 5V/2A USB Ports
Power Cord Length	4.7 feet
Assembly Required	Yes

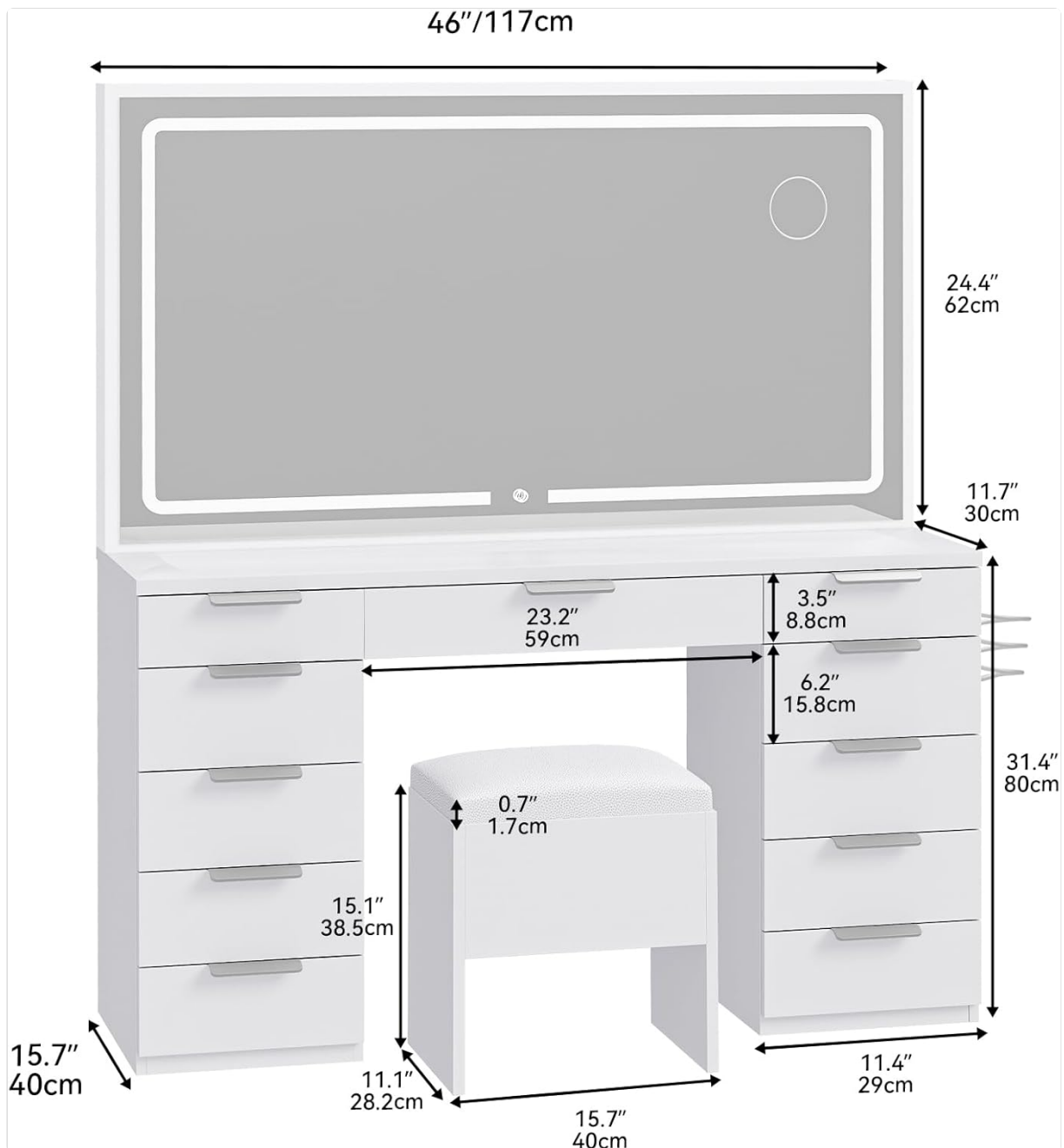


Image 8.1: Detailed diagram showing the dimensions of the DWVO Makeup Vanity, including the mirror, desk, and stool.

## 9. WARRANTY AND CUSTOMER SUPPORT

DWVO stands behind the quality of its products. For warranty information, technical assistance, or to report missing/damaged parts, please contact DWVO customer support through the retailer where the product was purchased or visit the official DWVO website. Please have your model number (MADWVraar3) and ASIN (B0FNMSYWS7) ready when contacting support.

*Note: Warranty terms and conditions may vary. Refer to your purchase documentation for specific details.*