



[Manuals.plus](#) /

> [LOUVIXA](#) /

> LOUVIXA Double Tilt Out Trash Cabinet Instruction Manual, Model B0FNMJVDRF

## LOUVIXA B0FNMJVDRF

# LOUVIXA Double Tilt Out Trash Cabinet Instruction Manual

Model: B0FNMJVDRF

## PRODUCT OVERVIEW

This instruction manual provides detailed guidance for the assembly, operation, and maintenance of your LOUVIXA Double Tilt Out Trash Cabinet. Designed for kitchen and living spaces, this cabinet offers concealed waste storage, odor control, and additional storage solutions.

The cabinet features a sturdy engineered wood construction, an anti-tipping design for safety, and an integrated deodorization and purification system. It is designed to accommodate two 10-13 gallon trash bins and includes two drawers and an adjustable shelf for versatile storage.



Image: The LOUVIXA Double Tilt Out Trash Cabinet in a kitchen environment.

## SAFETY INFORMATION

- Always follow assembly instructions carefully.
- Ensure all hardware is securely fastened before use.
- Utilize the provided anti-tipping devices to secure the cabinet to a wall, especially in households with children or pets.
- Do not overload drawers or shelves.
- Keep small parts away from children during assembly.

## SETUP AND ASSEMBLY

Your LOUVIXA Double Tilt Out Trash Cabinet comes with labeled components and a detailed installation instruction manual to facilitate assembly. A Phillips screwdriver and a hammer are required for assembly (not included).

It is recommended to have two people for lifting and moving the packaged cabinet due to its weight (approximately 62.9 pounds).

### Anti-Tipping Device Installation

To enhance stability and prevent accidental tipping, install the provided anti-tipping hardware. This typically involves screwing a bracket to the back of the cabinet and securing it to a wall stud using the provided strap or cable. Refer to the specific instructions in your assembly manual for detailed steps.



Image: Anti-tipping device installation diagram. Secure the cabinet to the wall to prevent tipping, especially with children present.

## OPERATING INSTRUCTIONS

### Tilt-Out Trash Bin Access

The cabinet features two tilt-out compartments designed to hold 10-13 gallon trash bins. To access a bin, gently pull the handle on the front panel. The panel will tilt forward, allowing easy removal and replacement of the trash bin. Push the panel back into place until it is securely closed.



Image: The tilt-out mechanism in action, showing a trash bin inside the cabinet.

## Deodorization and Purification Function

This cabinet is equipped with a deodorization and purification system that utilizes negative ions to eliminate odors and harmful substances. The control panel for this function is located on the top front edge of the cabinet, above the tilt-out bins. Refer to the specific instructions in your assembly manual for details on activating and managing this feature.

# OZONE AND DEODORIZATION FUNCTION



Get Rid of Odor



Air Purification



Negative Ions

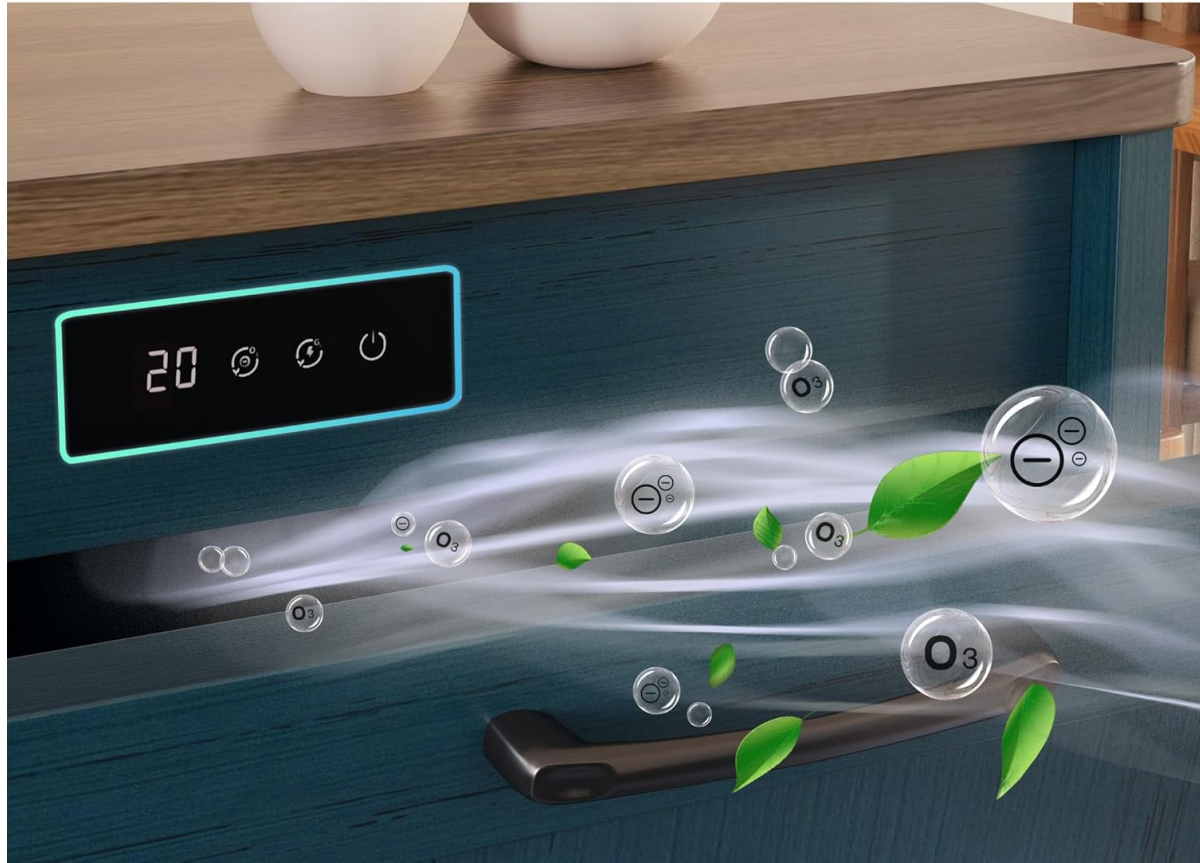


Image: Detail of the deodorization and purification control panel.

## Storage Compartments

The cabinet includes two drawers and an adjustable shelf behind a hinged door. The adjustable shelf allows for customization of storage space to accommodate various items such as cleaning supplies, pet food, or kitchen essentials. To adjust the shelf, remove the pegs supporting it, reposition them to the desired height, and place the shelf back on the pegs.

# ADJUSTABLE STORAGE CABINET



Image: Adjustable storage cabinet showing shelf adjustment.

## MAINTENANCE

### Cleaning

To clean the cabinet, wipe surfaces with a soft, damp cloth. Avoid using abrasive cleaners or harsh chemicals, as these may damage the finish. For the interior of the tilt-out bins, remove the trash cans and clean the interior surfaces as needed.

### Odor Control System Maintenance

Periodically check the deodorization and purification system for optimal performance. Ensure the unit is clean and free from obstructions. Refer to the specific instructions in your assembly manual for any maintenance requirements related to the odor control system.

## TROUBLESHOOTING

- **Difficulty with Assembly:** Ensure all components are correctly identified using the labeled parts and refer to the detailed installation instructions. If issues persist, double-check the orientation of panels and hardware.
- **Cabinet Instability:** Verify that all screws and fasteners are tightened. Ensure the anti-tipping device is

properly installed and anchored to a wall stud.

- **Odors Persist:** Confirm the deodorization and purification system is active. Ensure trash bins are regularly emptied and cleaned. Check for any spills or debris within the cabinet that may be contributing to odors.
- **Tilt-Out Mechanism Not Smooth:** Check for any obstructions in the tilt-out mechanism. Ensure the trash bins are correctly positioned and not interfering with the movement.

## SPECIFICATIONS

|                               |   |
|-------------------------------|---|
| <b>Brand</b>                  | LOUVIXA   |
| <b>Model Number</b>           | B0FNMJVDRF  |
| <b>Capacity</b>               | 10-13 Gallons (per bin)                           |
| <b>Color</b>                  | Blue  |
| <b>Opening Mechanism</b>      | Tilt-Out  |
| <b>Material</b>               | Engineered Wood                                   |
| <b>Recommended Uses</b>       | Kitchen, Dining Room, Laundry Room                |
| <b>Special Feature</b>        | Sturdy, Deodorization and Purification, Dog Proof |
| <b>Shape</b>                  | Rectangular                                       |
| <b>Finish Type</b>            | Painted   |
| <b>Item Weight</b>            | 62.9 Pounds                                       |
| <b>Dimensions (L x W x H)</b> | 39.3"L x 13.1"W x 35.6"H                          |
| <b>Included Components</b>    | Installation Instruction                          |

# PRODUCT DIMENSION

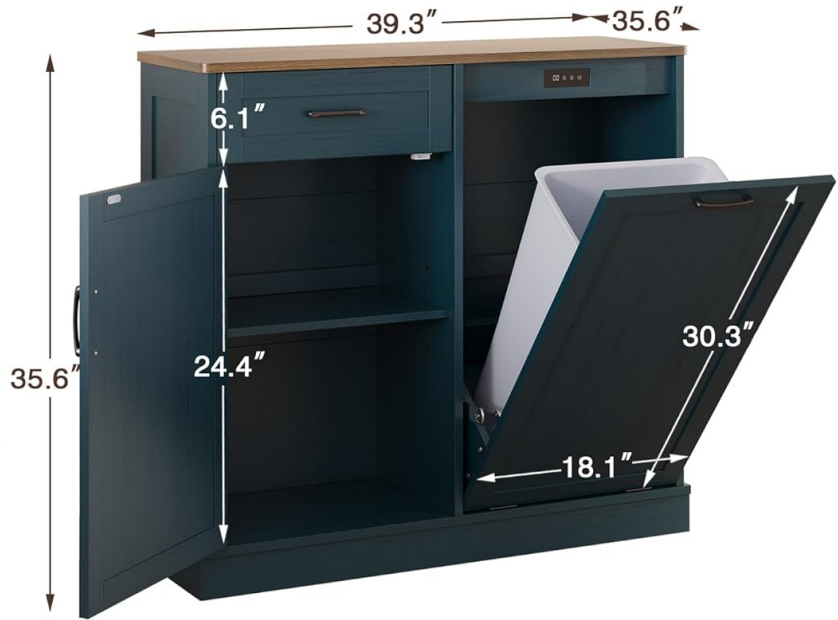
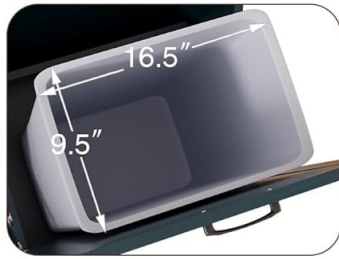
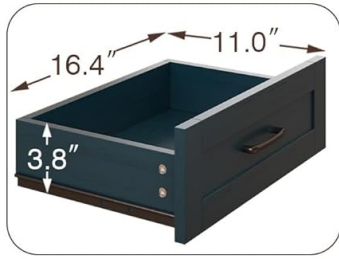
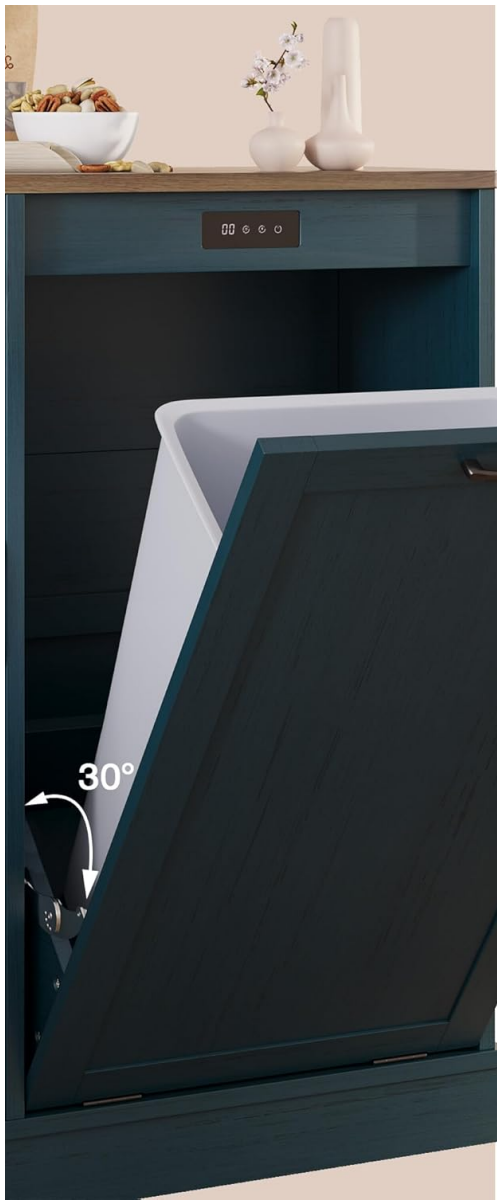


Image: Product dimension diagram.



## Nearly Fits 10-13 Gallon Trash Can



H < 26.8"

L < 16.5"

D < 9.5"



Package Does **NOT** Include Trash Can!



30°

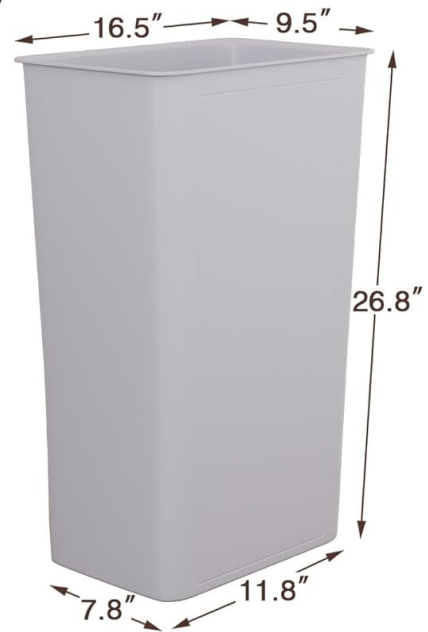


Image: Compatible trash can dimensions. Note: Trash cans are not included.

## WARRANTY AND SUPPORT

For any questions, concerns, or support needs regarding your LOUVIXA Double Tilt Out Trash Cabinet, please contact LOUVIXA customer service. The product typically includes a 30-day easy return policy. Refer to your purchase documentation for specific warranty details and contact information.

You can visit the LOUVIXA Store on Amazon for more information: [LOUVIXA Store](#)