



Manuals.plus /

› Telbum /

› Telbum DJ Lights Stand Professional Stage Lights Package - 120W LED Par Gigbar Instruction Manual

Telbum LCB80

Telbum DJ Lights Stand Professional Stage Lights Package - 120W LED Par Gigbar Instruction Manual

Model: LCB80

INTRODUCTION

This manual provides detailed instructions for the safe and efficient operation of your Telbum DJ Lights Stand Professional Stage Lights Package. This all-in-one lighting solution features 4 compact PAR lights with 4-in-1 RGBW 3x8W LEDs, designed for versatile applications in various event settings.

WHAT'S IN THE BOX

- 1x Stage Light Bar with Carry Bag
- 1x Lighting Stand with Carry Bag
- 1x Power Cord
- 1x Remote Control
- 1x User Manual (this document)



Image: The complete Telbum DJ Lights Stand package, showing the light bar, tripod stand, remote control, and two carry bags for transport.

SETUP INSTRUCTIONS

1. **Unfold the Tripod Stand:** Unscrew the knob on the tripod to unfold its legs. Ensure the legs are fully extended for stability.
2. **Adjust Stand Height:** Screw the knob to insert the safety pin into the desired height hole on the main pole. For additional height, install the 27-inch extension bar. Secure it with the knob and safety pin. The stand can reach a maximum height of 90 inches (2.2 meters).

PRODUCT PARAMETER

Features a two-section stand including a triangular base and an extension pole, reaching up to 2.2m (7.2 feet) for optimal coverage.

Net Weight:

1.8kg/4lb

Load Bearing:

4.5kg/10lb

Max Height
87"/220cm

Extension Pole Height
27.6"/70cm

Storage Height
31.5"/81cm

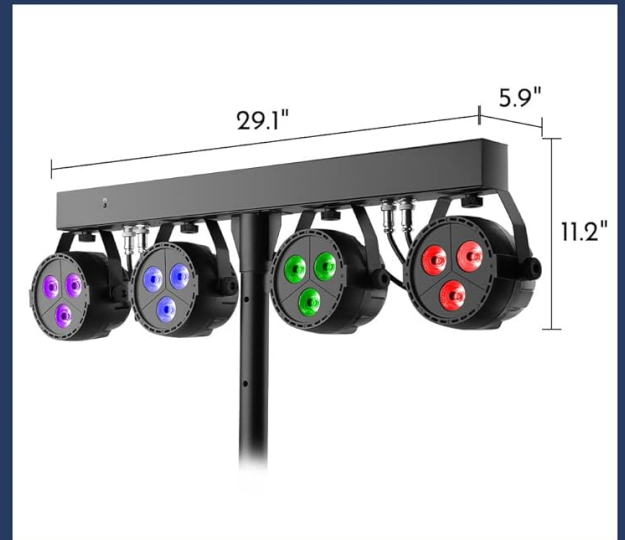


Image: Detailed product parameters, including the stand's maximum height of 87 inches (220cm) and the light bar dimensions (29.1" x 11.2").

- 3. Install Lighting Bar:** Carefully place the lighting bar onto the top of the extended stand pole. Secure it by tightening the knob on the lighting bar that connects to the stand.

User-friendly Control Panel

With DMX & standalone mode
5/8/20 Channel selectable



Image: Close-up of the light bar's control panel, highlighting the DMX ports, power input, and menu buttons.

- 4. Connect Power:** Plug the provided power cord into the "Power" input on the back of the lighting bar and then into a suitable power outlet (AC100-240V, 50/60Hz).

Your browser does not support the video tag.

Video: A demonstration of unfolding the tripod stand, extending its height, and installing the light bar. This video also shows various lighting effects.

OPERATING INSTRUCTIONS

Control Panel

The control panel on the back of the light bar features an LED display and buttons (MENU, UP, DOWN, ENTER) for mode selection and parameter adjustment.

Remote Control

The included IR remote control provides convenient access to various functions.

REMOTE

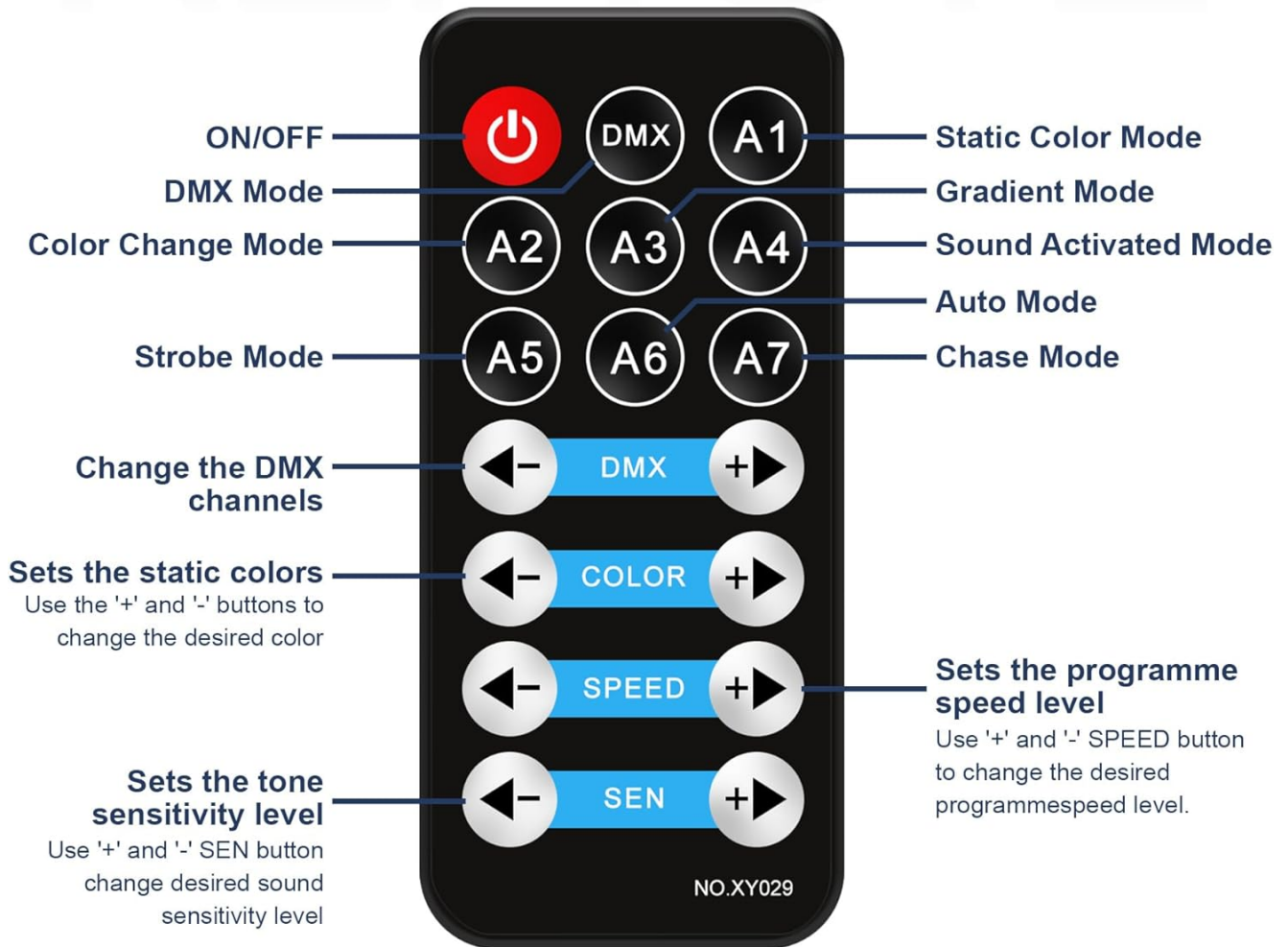


Image: The remote control, detailing buttons for various lighting modes and adjustments like DMX channels, color, speed, and sound sensitivity.

- **ON/OFF**: Power on or off the unit.
- **DMX Mode (DMX button)**: Activates DMX control. Use '+' and '-' to change DMX channels.
- **Static Color Mode (A1)**: Select a single static color.
- **Gradient Mode (A2)**: Smooth transitions between colors.
- **Color Change Mode (A3)**: Instant color changes.
- **Sound Activated Mode (A4)**: Lights react to sound. To access sound active modes via the control panel, press "MENU", use "UP" and "DOWN" to show A4.01, then "ENTER" to choose between A4.01-A4.03. Press "ENTER" to confirm. Press "MENU" to exit.
- **Auto Mode (A5)**: Cycles through built-in automatic programs.
- **Chase Mode (A6)**: Lights chase each other.
- **Strobe Mode (A7)**: Flashing light effect.
- **Speed**: Adjust the speed of dynamic effects using '+' and '-'.
- **SEN (Sensitivity)**: Adjust sound sensitivity in sound-activated mode using '+' and '-'.

DMX512 Control

The unit supports DMX512 control with 5, 8, or 20 channel modes. To access DMX address mode via the control panel, press "MENU", use "UP" and "DOWN" to show d001, then "ENTER" to set the DMX address. Press "ENTER" to confirm.

SPECIFICATION	
Power supply: AC100-240V, 50/60Hz	IP rate: IP20
Light source: (4) 3x8W LED RGBW Pars	Lamp rated life: >50000 Hours
Power consumption: 120W	Beam angle: 35 degree
Control: IR Remote, DMX512 control, Auto Run, Master/Slave, Sound Active	Dimming: 0-100%
Channel: 05/08/20 channels	Package Dimensions: 86*41*20cm/33*16*7inch
Working temperature: -10~40°C	Package Weight: 7.5kg/17lb

Image: The light bar connected to a DMX controller, demonstrating its DMX512 and Master-Slave capabilities.

Master-Slave Function

Connect multiple units using DMX cables for synchronized operation. Set one unit as the master and others as slaves to create coordinated lighting displays.

Effortless Control, Instant Party!

Simply pick a lighting mode with the remote — one click gets the show started! No complicated setup. Perfect for when you need awesome lights fast.



Image: The light bar on its stand, flanked by speakers, demonstrating the sound-activated auto-sync to music feature.

DYNAMIC LIGHTING EFFECTS

The Telbum DJ Lights Stand offers a variety of effects:

- **RGBW Color Mixing:** Achieve a wide spectrum of colors.
- **Fade:** Smooth transitions between colors.
- **Jump:** Instant color changes.
- **Chase:** Sequential lighting patterns.
- **Strobe:** Adjustable flashing speed.
- **Static Color:** Hold a single color.
- **Smooth Linear Dimming:** 0-100% dimming for precise brightness control.

COMPLETE PROFESSIONAL STAGE LIGHTING SYSTEM

- Bright & Vivid
- Tall & Sturdy
- Beginner-Friendly
- Quick Setup, Easy Transport
- Auto-Sync to Music or DMX



Image: Examples of RGBW color wash effects, demonstrating the range of colors and blends achievable with the lights.

MAINTENANCE

- **Cleaning:** Regularly clean the lenses and exterior with a soft, dry cloth to maintain optimal light output and appearance. Avoid using harsh chemicals.
- **Inspection:** Periodically check all cables, connections, and mounting hardware for any signs of wear or damage. Replace any damaged components immediately.
- **Storage:** When not in use, store the unit in its provided carry bags in a cool, dry place to protect it from dust and moisture.

TROUBLESHOOTING

- **No Power:** Ensure the power cord is securely connected to both the unit and a working power outlet. Check the power switch on the unit.
- **Lights Not Responding to Remote:** Check if the remote control's battery needs replacement. Ensure there are no obstructions between the remote and the unit's IR receiver.
- **Lights Not Responding to DMX:** Verify DMX cable connections. Ensure the DMX address is correctly set on the unit and matches your DMX controller. Check DMX channel modes.
- **Sound Activated Mode Not Working:** Adjust the sound sensitivity (SEN) on the remote or control panel. Ensure there is sufficient sound for the microphone to pick up.

SPECIFICATIONS

Feature	Detail
Brand	Telbum
Model Name	PL-31H (LCB80)
Light Type	LED
Wattage	120 watts
Light Source	(4) 3x8W LED RGBW Pars
Control Methods	IR Remote, DMX512, Auto Run, Master/Slave, Sound Active
DMX Channels	5/8/20 channels
Dimming	0-100% Linear
Beam Angle	35 degrees
Power Supply	AC100-240V, 50/60Hz
IP Rate	IP20
Lamp Rated Life	>50000 Hours
Item Weight	17.46 pounds (7.92 kg)
Product Dimensions (Light Bar)	33 x 16 x 7 inches (83.8 x 40.6 x 17.8 cm)
Max Stand Height	7.2 feet (2.2 meters)
Working Temperature	-10 to 40°C

WARRANTY AND SUPPORT

For warranty information and technical support, please refer to the contact details provided with your purchase or visit the official Telbum website. Keep your purchase receipt for warranty claims.