



Manuals.plus /

› HOOBRO /

› HOOBRO Cat Tree with Litter Box Enclosure (Model WH82MZ03) User Manual

HOOBRO WH82MZ03

HOOBRO Cat Tree with Litter Box Enclosure (Model WH82MZ03) User Manual

Brand: HOOBRO | Model: WH82MZ03

1. INTRODUCTION AND PRODUCT OVERVIEW

The HOOBRO Cat Tree with Litter Box Enclosure, Model WH82MZ03, is a multi-functional furniture piece designed to provide a comfortable and stimulating environment for your cat while seamlessly integrating into your home decor. This unit combines a hidden litter box space, a cozy resting spot, a double-layer cat house, a sisal scratching post, and a dedicated feeding area with stainless steel bowls.



Image 1.1: The HOOBRO Cat Tree, highlighting its multi-functional design for natural feline behaviors like playing, jumping, and exploring.

Key Features:

- **Stylish Design:** Features a blend of cloud white and walnut finishes with an elegantly curved silhouette and decorative door accents.
- **Multi-Functional:** Provides a hidden litter box space, a cozy resting spot, a double-layer cat house, and a sisal scratching post.
- **Dedicated Dining Area:** Includes two elevated stainless steel food bowls for undisturbed feeding.
- **Robust Construction:** Crafted from high-quality particleboard for durability and stability, with anti-tip devices for safety.
- **Easy Assembly:** Comes with clearly numbered parts, an illustrated guide, and all necessary tools.

2. SAFETY INFORMATION

Please read and understand all safety instructions before assembly and use. Failure to follow these instructions may result in injury or damage to the product.

- Always secure the cat tree to the wall using the provided anti-tip devices to prevent tipping.
- Keep the cat tree away from children's reach to prevent accidents.
- Exercise caution with sharp edges during assembly and maintenance.
- Ensure all screws and fasteners are tightened securely before use and check periodically for looseness.
- Do not allow children to climb on or play inside the cat tree.
- Place the cat tree on a flat, stable surface.

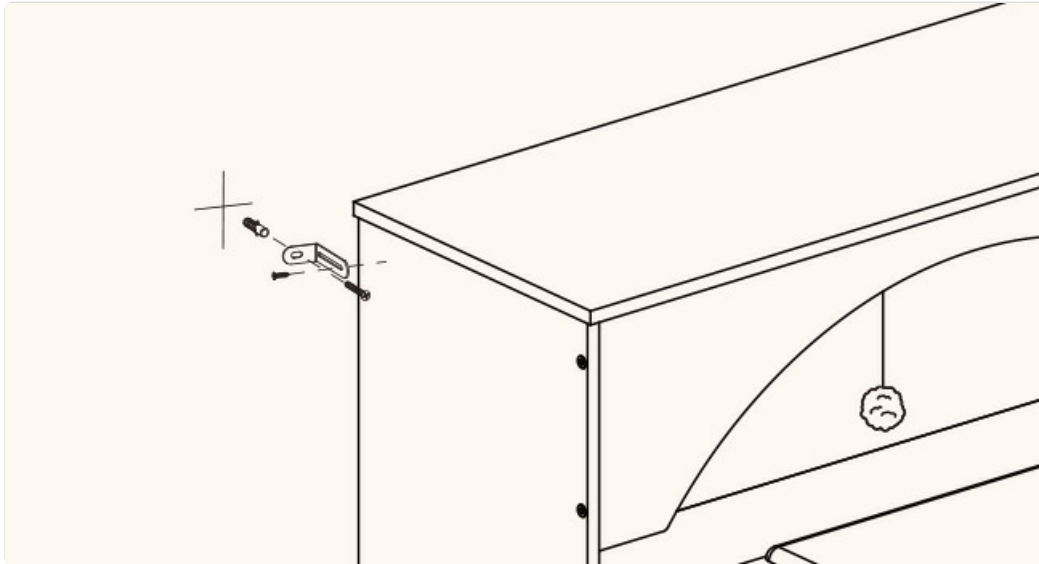


Image 2.1: Illustration of the anti-tip design, demonstrating how to securely fasten the cat tree to the wall for enhanced stability and safety.

3. PACKAGE CONTENTS

Before beginning assembly, please verify that all parts listed below are present and undamaged. If any parts are missing or damaged, please contact customer support.

- All necessary particleboard panels (numbered for easy identification)
- Sisal scratching post(s)
- Plush cushion (if applicable)
- Stainless steel food bowls (2)
- Dangling ball toy
- Assembly hardware (screws, dowels, etc.)
- Anti-tip devices
- Illustrated assembly guide
- Required assembly tools (e.g., Allen wrench)

4. ASSEMBLY INSTRUCTIONS

Follow the step-by-step instructions provided in the illustrated assembly guide included with your product. Ensure you have ample space and all components before starting. It is recommended to assemble the unit on a soft, clean surface to prevent scratches.

1. Unpack all components and lay them out. Verify against the package contents list.
2. Identify each part using the numbered labels.
3. Begin by assembling the base unit, which includes the litter box enclosure.
4. Attach the side panels and back panel to the base.
5. Install the internal shelves and partitions for the cat house and litter box area.
6. Mount the sisal scratching post in its designated position.

7. Assemble the upper cat house structure, including the arched top design.
8. Attach the dangling ball toy.
9. Insert the stainless steel food bowls into their wooden stand and place them on the designated dining area.
10. Finally, install the anti-tip devices to secure the cat tree to a wall.

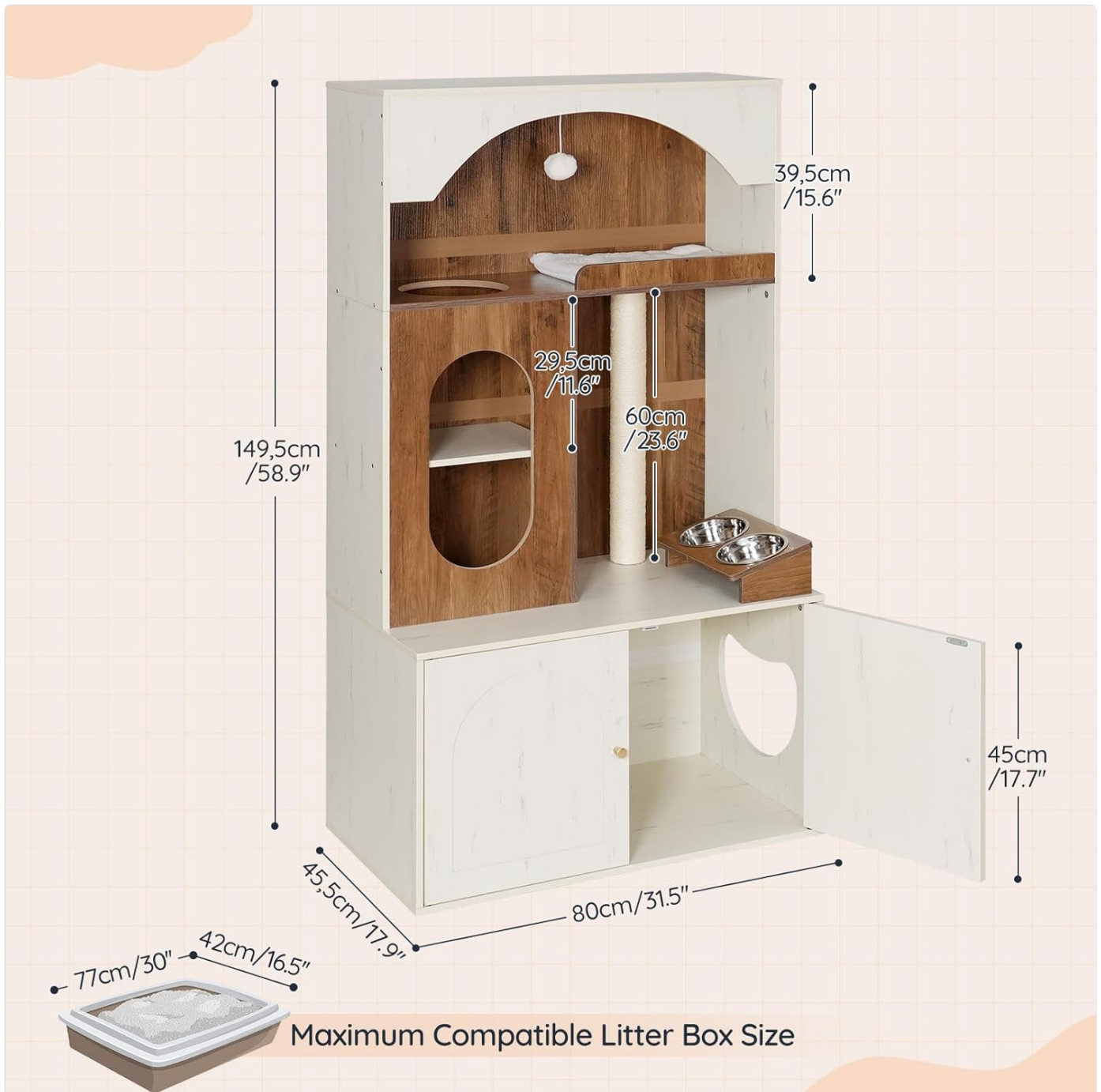


Image 4.1: An exploded view diagram illustrating the various components and dimensions of the HOOBRO Cat Tree, including the maximum compatible litter box size.

Your browser does not support the video tag.

Video 4.1: An overview video demonstrating the features and assembly process of the HOOBRO Cat Tree. This video provides a visual guide to the product's functionality and how its various parts come together.

5. OPERATING INSTRUCTIONS

5.1 Litter Box Enclosure

The bottom compartment is designed to discreetly house a standard litter box. Open the cabinet doors to place or remove the litter

box for cleaning. The side entry allows your cat private access.



Image 5.1: The cat litter enclosure, designed to hide the litter box and minimize mess and odor, shown with a cat using it. Above it is the cat house, offering a private, secure space.

5.2 Cat House and Resting Areas

The upper section features a double-layer cat house and various platforms for your cat to rest, observe, and play. A plush cushion may be placed in the designated resting spots for added comfort.



Image 5.2: Detailed view of the cat tree's features, including a plush cushion for resting, a sisal scratching post, an arched design, and a cat house interior.

5.3 Feeding Station

The elevated feeding station with two stainless steel bowls provides a comfortable dining height for your cat. Fill one bowl with dry food and the other with water. The bowls are removable for easy cleaning.

Stainless Steel Bowls

Effortless cleaning and long-lasting use.



Image 5.3: Close-up of the stainless steel bowls, designed for effortless cleaning and long-lasting use, with a cat actively using the feeding station.

5.4 Scratching Post and Dangling Ball

Encourage your cat to use the sisal-wrapped scratching post to satisfy their natural urge to scratch, protecting your furniture. The dangling ball toy provides entertainment and stimulates hunting instincts.



Image 5.4: The dangling ball feature, designed to stimulate your cat's hunting instinct and provide engaging play.

6. MAINTENANCE

Regular maintenance will ensure the longevity and hygiene of your HOOBRO Cat Tree.

- **Cleaning the Litter Box Enclosure:** Regularly clean the litter box and the interior of the enclosure. Wipe down surfaces with a pet-safe cleaner.
- **Cleaning Food Bowls:** The stainless steel bowls are removable and dishwasher-safe for easy cleaning. Wash regularly to maintain hygiene.
- **Surface Cleaning:** Wipe down all particleboard surfaces with a damp cloth. Avoid harsh chemicals that could damage the finish or be harmful to your pet.
- **Sisal Post Care:** The sisal scratching post is designed for durability. If it becomes heavily worn, consider replacing it or encouraging your cat to use other scratching surfaces.
- **Cushion Care:** If a plush cushion is included, follow its specific washing instructions. Typically, spot cleaning or gentle machine wash is recommended.
- **Hardware Check:** Periodically check all screws and fasteners to ensure they remain tight. Retighten as necessary to maintain stability.

7. TROUBLESHOOTING

If you encounter any issues with your HOOBRO Cat Tree, please refer to the following common solutions:

- **Unit feels wobbly:** Ensure all screws are tightened. Verify that the anti-tip devices are correctly installed and secured to the wall. Place the unit on a level surface.
- **Cat not using scratching post:** Try enticing your cat with catnip on the sisal post. Gently guide their paws to the post. Ensure the post is stable and at a comfortable height.
- **Cat not using litter box enclosure:** Some cats may need time to adjust to a new litter box location or enclosure. Ensure the litter box is clean and accessible. You may temporarily leave the doors open until your cat is comfortable.
- **Missing parts during assembly:** Double-check the packaging and compare with the package contents list. If parts are genuinely missing, contact HOOBRO customer support.

8. SPECIFICATIONS

| Feature | Detail |
|------------------------|---|
| Brand | HOOBRO |
| Model Number | WH82MZ03 |
| Color | White and Walnut |
| Dimensions (L x W x H) | 31.5"L x 17.9"W x 58.9"H (80cm x 45.5cm x 149.5cm) |
| Item Weight | 65 Pounds (approx. 29.5 kg) |
| Material | Particleboard, Sisal, Plush, Stainless Steel |
| Assembly Required | Yes |
| Included Components | Cat Tree Structure, Food Bowls, Dangling Ball, Anti-tip devices |

9. WARRANTY AND CUSTOMER SUPPORT

For any questions, concerns, or assistance with your HOOBRO Cat Tree, please contact HOOBRO customer support. Refer to your purchase documentation for specific warranty details and contact information.

You can often find support information on the official HOOBRO website or through the retailer where the product was purchased.