

Manuals+

[Q & A](#) | [Deep Search](#) | [Upload](#)

manuals.plus /

› [Realdio](#) /

› [Realdio 2+64GB Android Car Radio User Manual for Dodge, Chrysler, and Jeep Vehicles](#)

Realdio A3809A4MI2-CA64

Realdio 2+64GB Android Car Radio User Manual

Model: A3809A4MI2-CA64

[Compatibility](#)

[Setup](#)

[Operating](#)

[Maintenance](#)

[Troubleshooting](#)

[Specifications](#)

[Warranty & Support](#)

INTRODUCTION

This manual provides detailed instructions for the installation, operation, and maintenance of your Realdio 2+64GB Android Car Radio. Please read this manual thoroughly before using the product to ensure proper function and safety. This unit is designed to enhance your driving experience with features such as CarPlay, Android Auto, GPS navigation, Bluetooth connectivity, and FM/RDS radio.

VEHICLE COMPATIBILITY

This Android car radio is compatible with various Jeep, Dodge, and Chrysler models. Please verify your vehicle's dashboard configuration against the images provided to ensure proper fitment.

- Chrysler 300C: 2004-2008
- Chrysler PT Cruiser: 2007-2008
- Dodge RAM 1500: from 2006
- Dodge RAM 2500: from 2008
- Dodge Charger: 2006-2007
- Dodge Magnum: 2006
- Jeep Commander: 2006-2007
- Jeep Patriot: 2008
- Jeep Cherokee: 2007
- Jeep Grand Cherokee: 2005-2007
- Jeep Compass: 2007-2008

For Chrysler 300C 2004-2008

For Jeep Commander 2006-2007

For Chrysler PT Cruiser 2007-2008

For Jeep Patriot 2008

For Dodge RAM 2500 from 2008

For Jeep Cherokee 2007

For Dodge RAM 1500 from 2006

For Jeep Grand Cherokee 2005-2007

For Dodge Charger 2006-2007

For Jeep Compass 2007-2008

For Dodge Magnum 2006

For Jeep Patriot 2007-2008

Can be installed



Cannot be installed



Figure 1: Dashboard compatibility examples. The image on the left shows a compatible dashboard with a standard radio opening, while the image on the right shows an incompatible dashboard with integrated controls.

SETUP AND INSTALLATION

Package Contents

Before beginning installation, ensure all components are present:

- 1 x Car Radio Unit
- 1 x Power Cable
- 1 x RCA Cable
- 1 x Rear Camera Input Cable
- 2 x USB Cables
- 1 x Original USB Cable
- 1 x Radio Antenna
- 1 x GPS Antenna

- 1 x Canbus Decoder (if applicable)
- 1 x Users Manual
- 1 x AHD Rear Camera (included)



Figure 2: Contents of the product package, including the head unit, cables, antennas, and rear camera.

Wiring Diagram

Refer to the wiring diagram for correct connections. Ensure all cables are securely connected to prevent malfunctions.

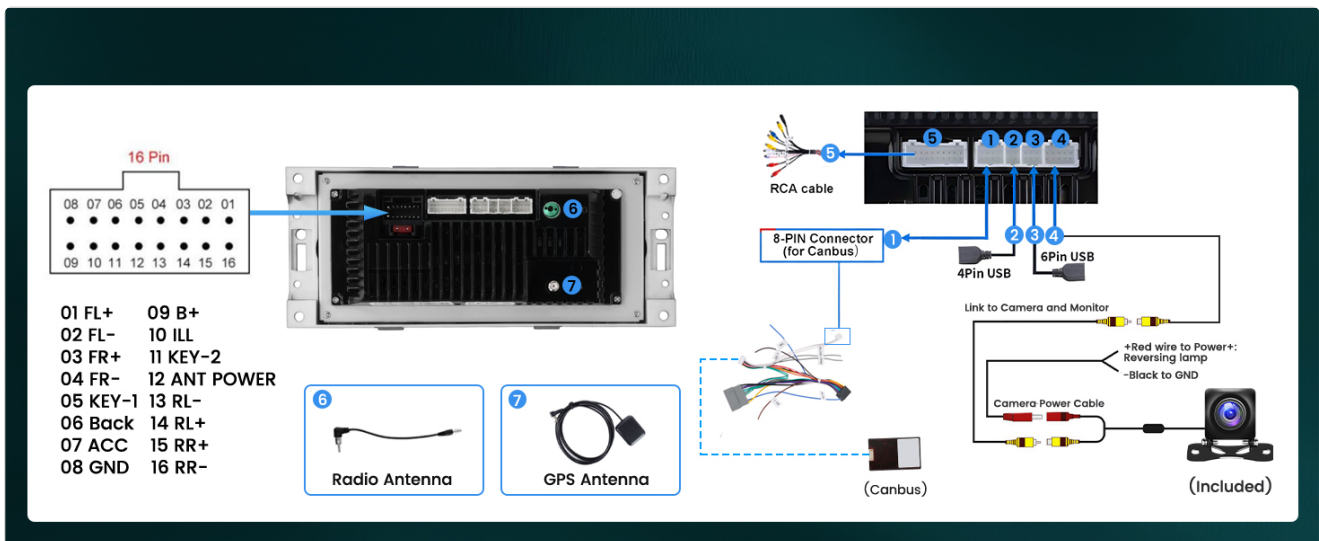


Figure 3: Wiring diagram illustrating connections for power, RCA, USB, radio antenna, GPS antenna, Canbus, and rear camera input.

Steering Wheel Control (SWC)

The unit supports original steering wheel controls. Configuration depends on whether your vehicle uses a CANBUS decoder.

- **Without CANBUS Decoder:** Connect the steering wheel control wires (Key1/Key2) in the power cable to the corresponding port or wire of your original car. Then, navigate to the "SteeringWheelKey" manual match setting to activate the button functions.
- **With CANBUS Decoder:** Connect the CANBUS decoder before powering on the machine. Go to *Apps > Settings > Factory Settings (password: 1234) > CAN Settings*. Select the brand of the CANBUS decoder and then the matching model and year according to your vehicle's specifications.

Steering Wheel Control



Without CANBUS Decoder:

Please connect the plugs or the steering wheel control wires(Key1/Key2) in the power cable to the corresponding port or wire of your original car, and then go to "SteeringWheelKey" manual match to activate the button function.

Contain CANBUS Decoder:

Please connect the canbus before powering on the machine, and then follow this path (Apps - Settings - Factory Settings(1234) - CAN Settings) to make SWC work properly. First select the brand of the canbus decoder, then select the matching model and year according to the actual situation.

Figure 4: Visual guide for connecting and configuring steering wheel controls.

OPERATING INSTRUCTIONS

CarPlay & Android Auto & Mirror Link

The car stereo supports both wireless and wired connections for CarPlay and Android Auto, allowing seamless integration with your smartphone. Mirror Link functionality is also available.

- **CarPlay/Android Auto:** Connect your phone via Bluetooth for wireless access or via USB for wired connection. This enables voice assistant control for calls, navigation, music playback, and app management.
- **Mirror Link:** Project your mobile phone's screen content (1080P videos, high-definition pictures) onto the head unit's display. This feature supports both WiFi (for Android and iOS) and USB (for Android) connections.

Wireless Carplay & Android Auto



Figure 5: Display of Wireless CarPlay and Android Auto functionality with various app icons.

Backup Camera & Reversing Input

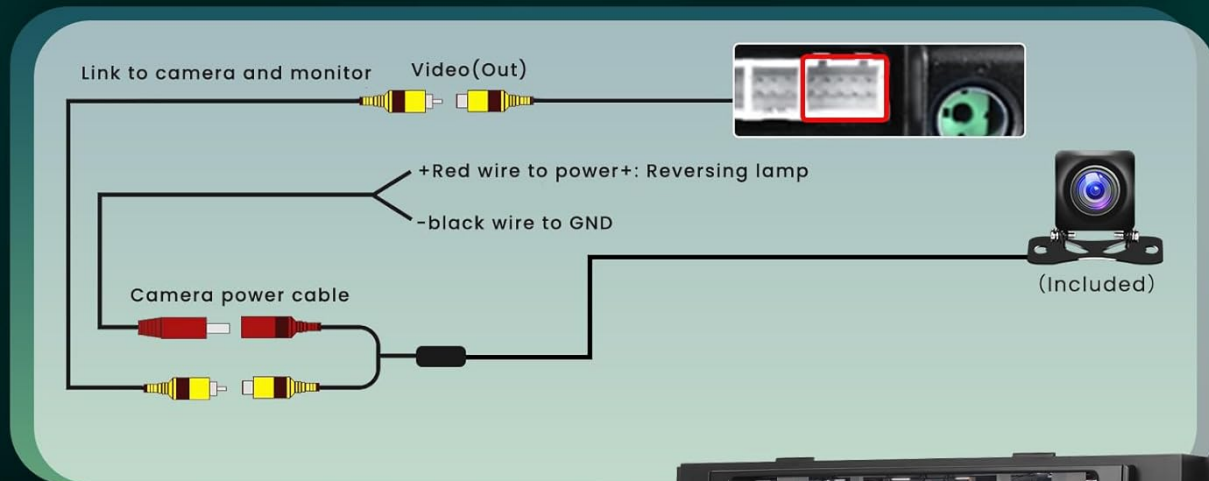


Figure 6: Illustration of Mirror Link for screen mirroring and Split Screen mode for multitasking.

GPS Navigation & WiFi Connection

The unit features built-in offline maps for North America. For real-time traffic and updated maps, connect the unit to a WiFi network.

- **Offline Maps:** Pre-installed maps allow navigation without an internet connection.
- **Online Maps:** Connect to a WiFi hotspot (e.g., from your smartphone) to access online navigation services and download additional apps from the application store.

Adaptable Vehicle



Figure 7: The head unit connected to WiFi, displaying various online applications and navigation.

Bluetooth & FM/RDS Radio

Enjoy hands-free communication and diverse audio options.

- **Bluetooth:** Supports phonebook syncing, hands-free calling via the built-in microphone, and audio streaming from your smartphone.
- **FM/RDS Radio:** Tune into FM radio stations and receive RDS (Radio Data System) information for station names, traffic updates, and news broadcasts.



Figure 8: Bluetooth interface showing phone calls and music streaming capabilities.



Figure 9: FM/RDS radio display with frequency and station information.

AHD Reversing Camera

The included AHD reversing camera provides a clear view behind your vehicle, making parking and reversing safer and more convenient. The camera automatically activates when the vehicle is shifted into reverse.

Mirror Link & Split Screen



Figure 10: Connection diagram for the AHD reversing camera, showing video input and power connections.

User Interface (UI) Themes

Personalize your experience with 28 different UI themes available for selection. Navigate to the display settings to choose your preferred theme.



Figure 11: Examples of different user interface themes available on the car radio.

MAINTENANCE

- **Screen Cleaning:** Use a soft, lint-free cloth to clean the touchscreen. For stubborn smudges, slightly dampen the cloth with water or a screen-safe cleaner. Avoid abrasive materials or harsh chemicals.
- **Software Updates:** Periodically check for software updates through the system settings or the manufacturer's website to ensure optimal performance and access to new features.
- **General Care:** Avoid exposing the unit to extreme temperatures, direct sunlight for prolonged periods, or excessive moisture. Ensure proper ventilation around the unit.

TROUBLESHOOTING

Issue	Possible Cause	Solution
Unit does not power on	Loose power connection, blown fuse, vehicle battery issue.	Check power cable connections. Inspect vehicle fuses. Verify vehicle battery charge.
Screen freezes or becomes unresponsive	Software glitch, temporary system overload.	Perform a soft reset by pressing the reset button (if available) or by disconnecting the power for a few minutes and reconnecting. If persistent, check for software updates.
No sound	Volume too low, incorrect audio source, loose speaker wires.	Increase volume. Select correct audio source. Check speaker wire connections.
GPS signal lost or inaccurate	GPS antenna obstruction, poor satellite reception.	Ensure GPS antenna is properly installed and has a clear view of the sky. Move to an open area.
Bluetooth connection issues	Device not paired, Bluetooth off, interference.	Ensure Bluetooth is enabled on both devices. Re-pair the device. Move closer to the unit.

SPECIFICATIONS

- **Model:** Realdio-A3809A4MI2-CA64
- **Operating System:** Android
- **Display Size:** 6.2 Inches
- **Memory:** 2GB RAM + 64GB Internal Storage
- **Connectivity:** Bluetooth, Wi-Fi
- **Special Features:** Touchscreen, CarPlay, Android Auto, Mirror Link, GPS Navigation (North America maps), FM/RDS Radio, AHD Reversing Camera Input, Steering Wheel Control (SWC)
- **Audio Output Mode:** Stereo
- **Mounting Type:** Dashboard Mount
- **Product Dimensions:** 28 x 21 x 10.5 cm
- **Weight:** 1.16 kg
- **Manufacturer:** Realdio
- **Country of Origin:** China

WARRANTY AND SUPPORT

Warranty Information

This Realdio car radio comes with a **24-month warranty** from the date of purchase. This warranty covers manufacturing defects and ensures online consultation support with a response within 24 hours.

Customer Support

For technical assistance, troubleshooting, or warranty claims, please contact Realdio customer support. You can typically find contact information on the seller's page or through the included documentation. Please have your model number (A3809A4MI2-CA64) and purchase details ready when contacting support.