

Manuals+

[Q & A](#) | [Deep Search](#) | [Upload](#)

[manuals.plus](#) /

› [Nordivale](#) /

› [Nordivale 70-inch Fireplace TV Stand with 3-Sided Glass Electric Fireplace Instruction Manual](#)

Nordivale TS418WH01A-HD+H20028BK01A-GM

Nordivale 70-inch Fireplace TV Stand Instruction Manual

Model: TS418WH01A-HD+H20028BK01A-GM

1. INTRODUCTION

Thank you for choosing the Nordivale 70-inch Fireplace TV Stand. This entertainment center combines functional storage with the ambiance of a 3-sided glass electric fireplace and integrated LED lighting. This manual provides essential information for safe assembly, operation, and maintenance of your new TV stand. Please read all instructions carefully before beginning assembly or use.



Image 1: The Nordivale 70-inch Fireplace TV Stand in a living room setting, featuring a television, the electric fireplace, and storage compartments with glass doors and internal lighting.

2. SAFETY INFORMATION

Important Safety Instructions:

- Avoid placing flammable materials near the fireplace. Maintain a safe distance from curtains, bedding, and other combustible items.
- Ensure the TV stand is securely anchored to the wall to prevent tip-overs, especially in households with children or pets. Wall anchoring hardware may be included or purchased separately.
- Be cautious of sharp edges and glass shelves during assembly and use. Handle glass components with care to prevent breakage and injury.
- Do not overload the TV stand. Adhere to the specified weight capacities for the tabletop and shelves.
- Always unplug the electric fireplace from the power outlet before cleaning, performing maintenance, or if it will be unused for an extended period.

- Do not operate the fireplace with a damaged cord or plug, or if the heater malfunctions or has been dropped or damaged in any manner.
- Keep the power cord away from heated surfaces.

3. PACKAGE CONTENTS

Before assembly, verify that all components listed below are present and undamaged. If any parts are missing or damaged, please contact customer support.

- TV Stand Panels (various sizes)
- Electric Fireplace Insert (36-inch, 3-sided glass)
- Hardware Pack (screws, dowels, cam locks, etc.)
- Adjustable Shelves (for cabinets)
- LED Light Strips and Remote Control
- Illustrated Instruction Manual
- Anti-tip Hardware

70 Inch Fireplace TV Stand



Tabletop weight capacity
330 Lbs

Shelves weight capacity
33 Lbs

Size
70"W × 13.4"D × 32.4"H



Shipped in **two** boxes, may be shipped separately



Image 2: A detailed diagram illustrating the dimensions of the 70-inch TV stand, including width, depth, and height, along with weight capacities for the tabletop and shelves. It also indicates that the product ships in two boxes.

4. ASSEMBLY INSTRUCTIONS

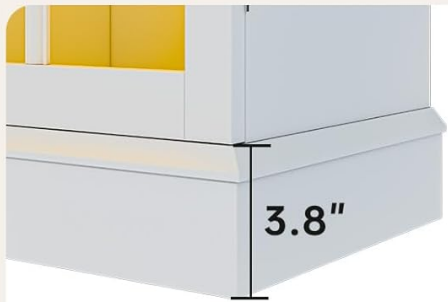
Assembly of the Nordivale Fireplace TV Stand requires two adults. Follow the step-by-step instructions provided in the separate illustrated manual. All hardware and parts are clearly numbered for easy identification.

1. **Prepare the Area:** Clear a spacious, clean, and flat surface for assembly. Lay out all components and hardware.
2. **Assemble the Base:** Construct the main base frame of the TV stand. The 3.8-inch high wooden base provides stability.
3. **Install Side Cabinets:** Attach the side cabinet panels, ensuring all connections are secure.
4. **Insert Adjustable Shelves:** Place the adjustable shelves into the desired positions within the cabinets.
5. **Install Electric Fireplace:** Carefully slide the electric fireplace insert into the central opening. Ensure it is

properly seated and secured according to its specific instructions.

6. **Attach Doors and Drawers:** Install the cabinet doors and drawers. Adjust hinges as needed for proper alignment.
7. **Apply LED Light Strips:** Adhere the LED light strips to the designated areas within the glass cabinets.
8. **Final Checks:** Verify all screws are tightened and the stand is stable. Attach anti-tip hardware to the wall for added safety.

70" Farmhouse Fireplace TV Stand



SOLID AND STABLE BASE

The 3.8-inch high wooden base ensures stability and no wobbling

HIGH-GRADE MDF

The board is thickened and upgraded, with waterproof and scratch-resistant functions



ADJUSTABLE SHELVES

Adjustable shelves for flexible and customizable storage

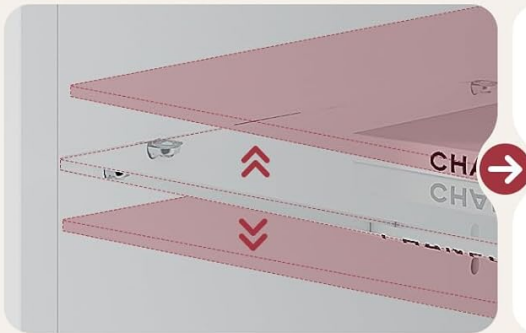


Image 3: An illustration highlighting key construction features: a solid and stable 3.8-inch high wooden base, high-grade MDF material with waterproof and scratch-resistant functions, and adjustable shelves for flexible storage.

5. OPERATING INSTRUCTIONS

5.1 Electric Fireplace Operation

The electric fireplace can be controlled via the unit's panel or the included remote control.

- **Power On/Off:** Press the power button to turn the fireplace on or off.
- **Flame Brightness:** Adjust the flame brightness through 5 settings to suit your preference.
- **Flame Colors:** Select from 12 different flame colors to create various moods.
- **Heating Function:** The fireplace provides auxiliary heating for spaces up to 400 square feet. It offers two heat modes (1000W/1500W). The heating function can be operated independently from the flame effect.
- **Temperature Control:** Set the desired temperature between 60°F and 99°F.
- **Timer Function:** Utilize the timer to set operation duration from 0.5 to 9 hours.
- **Overheat Protection:** The unit is equipped with overheat protection for safety.

36 INCH PANORAMIC FIREPLACE

5000 BTU can provide auxiliary heating for a 400 square feet space




1000W/1500W
 2 Heat Modes


0.5H-9H
 Timer Function


60°F-99°F
 Temperature


 Thermal Overload
 Protection


 ETL
 Certificated

Temperature
 60°F ————— 99°F

2 Heat Modes
 · 1000W ————— · 1500W

Timer Function
 0.5H ————— 9H

Image 4: A visual representation of the 36-inch panoramic electric fireplace, highlighting its 5000 BTU heating capacity for a 400 square foot space, two heat modes (1000W/1500W), timer function (0.5-9H), and adjustable temperature range (60°F-99°F). Safety features like thermal overload protection and ETL certification are also noted.

PANORAMIC FIREPLACE



5-LEVEL FLAME BRIGHTNESS



12 FLAME COLORS



Image 5: A graphic detailing the customization options for the panoramic fireplace, including 5 levels of flame brightness from dim to bright, and a selection of 12 distinct flame colors.

5.2 LED Light Strip Operation

The integrated LED light strips in the glass cabinets can be customized using the provided remote control.

- **Power On/Off:** Use the remote to turn the LED lights on or off.
- **Color Selection:** Choose from 12 different LED colors to match your room's ambiance.
- **Brightness Adjustment:** Adjust the brightness of the LED lights.



MULTI-COLOR LED LIGHT STRIP

Customize your space with backlights and realistic flame



Image 6: An illustration demonstrating the multi-color LED light strip feature, showing a spectrum of available colors and the accompanying remote control for customization. Examples of the TV stand with different LED backlight colors are also displayed.

6. CARE AND MAINTENANCE

- **Cleaning the Stand:** Wipe the surfaces of the TV stand with a soft, damp cloth. Avoid harsh chemicals or abrasive cleaners that could damage the engineered wood (PB and MDF) finish.
- **Cleaning the Fireplace Glass:** Use a glass cleaner specifically designed for fireplace glass. Spray onto a cloth, then wipe the glass. Do not spray directly onto the unit.
- **Dusting:** Regularly dust all surfaces, including the interior of the cabinets and the fireplace insert, to prevent buildup.
- **Inspection:** Periodically check all connections and hardware to ensure they remain tight. Retighten if necessary.
- **Protection:** The high-grade MDF is designed to be waterproof and scratch-resistant, but it is still advisable to use coasters under beverages and avoid placing hot items directly on the surface.

7. TROUBLESHOOTING

If you encounter any issues with your Nordivale Fireplace TV Stand, please refer to the following common solutions:

Problem	Possible Cause	Solution
Fireplace not turning on	No power, power cord not plugged in, circuit breaker tripped, unit overheated.	Ensure power cord is securely plugged into a working outlet. Check household circuit breaker. Allow unit to cool down if overheat protection was activated.
No heat output	Heating function not activated, temperature setting too low.	Activate heating function via control panel or remote. Increase desired temperature setting.
LED lights not working	LED power not on, remote battery low.	Ensure LED power is on. Replace remote control batteries.
Stand is wobbly	Loose connections, uneven floor.	Check and tighten all assembly screws. Ensure the stand is on a level surface. Use shims if necessary.

If the problem persists after attempting these solutions, please contact Nordivale customer support for further assistance.

8. SPECIFICATIONS

Feature	Detail
Model Number	TS418WH01A-HD+H20028BK01A-GM
Product Dimensions (L x W x H)	70 x 13.4 x 32.4 inches
Item Weight	121.9 pounds
Material	Engineered Wood (Particle Board, MDF)
Color	White
Fireplace Size	36 inches (3-sided glass display)
Heating Area	Up to 400 square feet
Temperature Range	60°F to 99°F
Timer Function	0.5 to 9 hours
Flame Brightness Settings	5 levels

Feature	Detail
Flame Colors	12 options
LED Backlight Colors	12 options
Tabletop Weight Capacity	331 pounds
Shelf Weight Capacity	33 pounds (each glass shelf)
TV Size Compatibility	Up to 80 inches



Image 7: An illustration demonstrating the TV stand's compatibility with televisions of various sizes, indicating it can accommodate TVs up to 80 inches.

9. WARRANTY AND SUPPORT

The Nordivale 70-inch Fireplace TV Stand comes with a **one-year warranty** from the date of purchase. This

warranty covers manufacturing defects and ensures a better user experience.

For warranty claims, missing parts, damaged components, or any questions regarding assembly or operation, please contact Nordivale customer support. Refer to your purchase documentation for specific contact details or visit the official Nordivale website.