

Manuals+

[Q & A](#) | [Deep Search](#) | [Upload](#)

[manuals.plus](#) /

› [PETEPELA](#) /

› [PETEPELA 56.3-Inch Mushroom Cat Tree Tower User Manual](#)

PETEPELA AM11-3-AMT0110BN

PETEPELA 56.3-Inch Mushroom Cat Tree Tower User Manual

Model: AM11-3-AMT0110BN | Brand: PETEPELA

INTRODUCTION

Thank you for choosing the PETEPELA 56.3-Inch Mushroom Cat Tree Tower. This multi-level cat tree is designed to provide a stimulating and comfortable environment for your feline companions. It features a spacious cat condo, a large hammock, plush perches, and a unique mushroom-shaped scratching board, offering various options for play, rest, and exercise.



Image: The PETEPELA Mushroom Cat Tree Tower, showcasing its various levels and features.

SAFETY INFORMATION

- Ensure all components are securely fastened during assembly to prevent instability.

- Utilize the included anti-tip kit to anchor the cat tree to a wall, especially in households with active cats or small children, to enhance stability and prevent accidental tipping.
- Regularly inspect the cat tree for any loose parts, wear, or damage. Tighten screws and replace worn components as necessary.
- Place the cat tree on a flat, stable surface.
- Keep small children away from the cat tree during cat play to avoid injury.



Image: Illustration demonstrating the use of an anti-tip kit to secure the cat tree to a wall.

PACKAGE CONTENTS

Before assembly, please verify that all the following components are present:

- Base Plate
- Various Platforms and Perches (including top perch, mushroom platform)
- Cat Condo
- Large Hammock

- Sisal-Wrapped Scratching Posts
- Mushroom-Shaped Scratching Board (removable)
- Dangling Pom-Poms
- Assembly Hardware Pack (screws, bolts, Allen wrench)
- Anti-Tip Kit
- Illustrated Assembly Manual

SETUP INSTRUCTIONS

Follow these steps to assemble your PETEPELA Cat Tree Tower. An illustrated manual is included in your package for detailed guidance.

1. **Unpack Components:** Carefully remove all parts from the packaging and lay them out on a clean, flat surface. Verify all components against the package contents list.
2. **Attach Base Posts:** Secure the lowest scratching posts to the base plate using the provided hardware.
3. **Install Lower Platforms:** Attach the first level of platforms to the base posts.
4. **Assemble Cat Condo:** Construct the cat condo and attach it to the designated platform.
5. **Install Hammock and Mushroom Platform:** Secure the large hammock and the mushroom-shaped platform to their respective posts and platforms.
6. **Attach Upper Posts and Perches:** Continue assembling the upper scratching posts and platforms, including the cozy plush top perch.
7. **Add Accessories:** Attach the dangling pom-poms and the removable mushroom-shaped scratching board.
8. **Secure with Anti-Tip Kit:** Once fully assembled, position the cat tree in its desired location. Use the anti-tip kit to secure the top of the tree to a nearby wall stud for maximum stability.
9. **Final Check:** Ensure all screws are tightened and the structure is stable before allowing your cats to use it.

Your browser does not support the video tag.

Video: Official PETEPELA video showcasing the assembled Mushroom Cat Tree and its features.

OPERATING THE CAT TREE

The PETEPELA Cat Tree Tower offers multiple functionalities for your cat's enjoyment:

- **Scratching Posts:** The sisal-wrapped posts and the mushroom-shaped scratching board provide designated areas for your cat to sharpen their claws, helping to protect your furniture.
- **Cat Condo:** The enclosed cat condo offers a private and secure space for your cat to rest, sleep, or observe their surroundings.
- **Hammock:** The extra-large hammock is designed for comfortable lounging and napping, accommodating even larger cats.
- **Plush Perches:** Multiple platforms and the top perch allow your cat to climb, jump, and survey their territory from different heights. The top perch features a raised rim for added comfort.
- **Dangling Toys:** The attached pom-poms encourage playful interaction and exercise.



Super Large Perch & Hammock

Especially friendly to maine coon



Image: Close-up view of the large soft top perch and the super large hammock, highlighting their dimensions and suitability for cats.



Mushroom Design

Make your feline jump and paly like Mario!



Image: Cats interacting with the mushroom-shaped scratching board and a dangling pom-pom toy.

Multi-Functional Cat Play House



Image: Cats utilizing the sisal scratching post, the cat condo, and playing with a toy.

Multi-Level Fun

Designed for 2-3 large cats easily climb up and down



Image: A visual representation of cats navigating and enjoying the multi-level structure of the cat tree.

MAINTENANCE

Proper maintenance will extend the life of your cat tree:

- **Cleaning:** Hand wash only with mild soap and water. Avoid machine washing.
- **Drying:** Keep the cat tree in a dry place when not in use and allow it to air dry completely after cleaning.
- **Regular Inspection:** Periodically check all screws and connections to ensure they remain tight. Inspect sisal posts for excessive wear and replace if necessary to maintain scratching effectiveness.
- **Vacuuming:** Regularly vacuum the plush surfaces to remove loose fur and dust.

TROUBLESHOOTING

Issue	Possible Solution
-------	-------------------

Issue	Possible Solution
Cat tree is wobbly	Ensure all screws are tightened. Verify the cat tree is on a flat, even surface. Use the anti-tip kit to secure it to a wall.
Cats not using scratching posts	Try sprinkling catnip on the sisal posts or the mushroom scratching board. Demonstrate scratching by gently dragging your cat's paws on the surface.
Dangling toys are broken	The product includes a replacement pom-pom. Attach the new toy to the designated hanging point.
Cat condo or hammock seems too small	Refer to the specifications section for dimensions. While designed for various sizes, individual cat preferences may vary.

SPECIFICATIONS

- **Model Name:** AM11-3-AMT0110BN
- **Product Dimensions (LxWxH):** 21.6 x 17.7 x 56.3 inches
- **Material:** Cardboard, Engineered Wood, Metal, Sisal, Soft Plush Fabric
- **Color:** Mushroom Brown
- **Target Audience:** House-cats (All Life Stages, All Breed Sizes)
- **Specific Uses:** Indoor
- **Included Components:** Cat tree, assembly hardware, anti-tip kit

SIZE

Ideal For
Multi-Cat Household

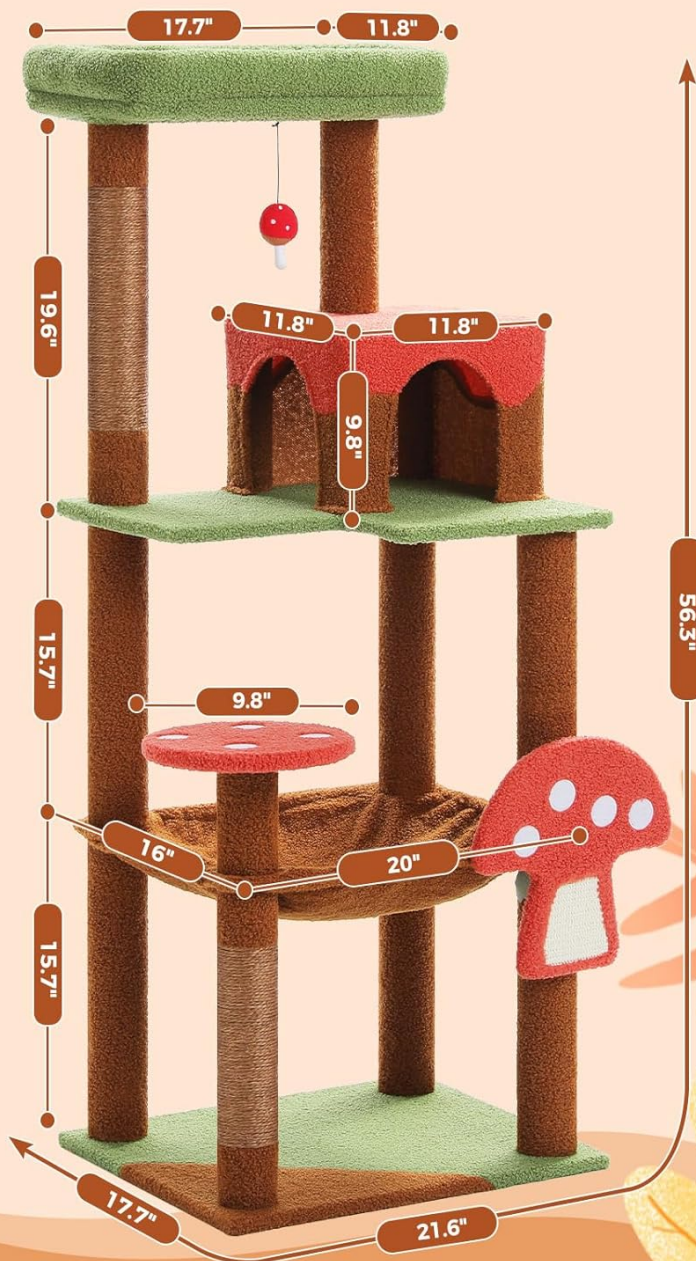
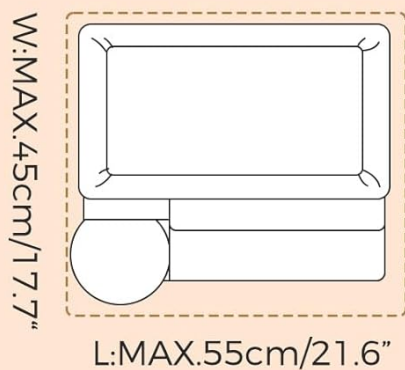


Image: Dimensional drawing of the cat tree, indicating various measurements.

WARRANTY

This PETEPELA Cat Tree Tower comes with a **1-year warranty** from the date of purchase. This warranty covers manufacturing defects and material flaws under normal use. Please retain your proof of purchase for any warranty claims.

SUPPORT

For any questions, concerns, or assistance with your PETEPELA Cat Tree Tower, please refer to the contact information provided in your product packaging or visit the official PETEPELA brand store on Amazon:

[PETEPELA Amazon Store](#)

Our customer service team is available to help you both before and after your purchase.

© 2025 PETEPELA. All rights reserved.