

## FOXWELL RT1000

# FOXWELL Master Cylinder Bleeder Adapter RT1000 User Manual

Model: RT1000

## INTRODUCTION

---

The FOXWELL Master Cylinder Bleeder Adapter RT1000 is designed to facilitate the brake fluid exchange process in compatible Mazda and Ford vehicles. This adapter ensures a secure connection to the master cylinder reservoir, preventing leaks during brake system bleeding or fluid replacement. Constructed from durable aluminum with effective sealing components, it provides a reliable solution for automotive maintenance tasks.

## PRODUCT FEATURES

---

- **Wide Compatibility:** Specifically designed for various Mazda and Ford vehicles, including models like Mazda2, Mazda3, Mazda6, MX-5 Miata, CX-3, CX-30, CX-5, CX-9, CX-50, CX-90, CX-70, Ford Focus, Ford Mondeo, Ford Maverick, Ford Kuga, Ford Transit, Ford Expedition, Ford Explorer, Ford Mustang, Ford Edge, Ford Escape, Ford Bronco, Ford Bronco Sport, Ford Bronco Raptor, and Ford Ranger. *Always verify fitment with your vehicle's master cylinder reservoir before use.*
- **Durable Construction:** Manufactured from high-quality aluminum, silver-plated for enhanced wear, rust, and corrosion resistance, ensuring longevity and a professional appearance.
- **Secure Sealing:** Equipped with internal rubber rings that provide excellent sealing properties, preventing brake fluid leaks during operation.
- **System Integration:** Fully compatible with the FOXWELL RT1000 brake bleeder exchanger, streamlining the process of removing old brake fluid and refilling the system.

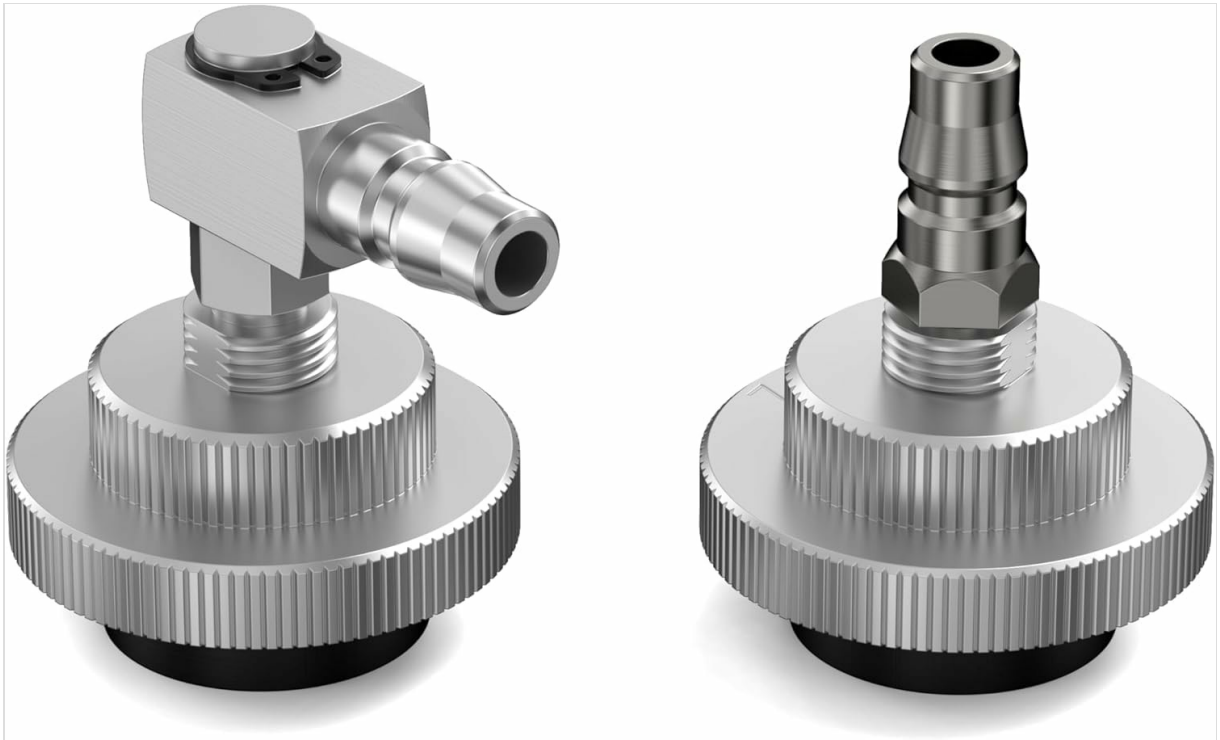


Image: The FOXWELL Master Cylinder Bleeder Adapter, highlighting its aluminum alloy construction and the internal rubber ring designed for effective sealing and leak prevention.



## Compatible With

Mazda3, Mazda6, MX-5 Miata, CX-3, CX-30, CX-5, CX-9, CX-50, CX-90, CX-70, Ford Focus, Ford Mondeo, Ford Kuga, Ford Transit, Ford Expedition, Ford Explorer, Ford Mustang, Mach-E, Ford Edge, Ford Escape, Ford Bronco, Ford Bronco Sport, Ford Bronco Raptor, etc.



Image: A visual representation of the extensive compatibility list for the FOXWELL Master Cylinder Bleeder Adapter, covering various Mazda and Ford vehicle models.

## SETUP

Before beginning the brake fluid exchange process, ensure your vehicle is on a level surface and the engine is off. Gather all necessary tools, including the FOXWELL Master Cylinder Bleeder Adapter, a brake fluid exchanger (such as the FOXWELL RT1000), and new brake fluid.

1. Locate the master cylinder reservoir in your vehicle.
2. Remove the existing cap from the master cylinder reservoir.
3. Select the appropriate FOXWELL adapter (straight or 90-degree) that best fits your master cylinder reservoir opening.
4. Carefully screw the adapter onto the master cylinder reservoir until it is hand-tight and securely seated. Ensure the internal rubber rings create a tight seal to prevent any fluid leakage.

# Connect The Filling Hose To The Brake Fluid Cylinder Via The Adapter



Image: The FOXWELL Master Cylinder Bleeder Adapter securely connected to a vehicle's brake fluid cylinder, with a filling hose attached, ready for brake fluid exchange.

## OPERATING INSTRUCTIONS

Follow these steps to use the FOXWELL Master Cylinder Bleeder Adapter for brake fluid exchange:

1. **Step 1: Connect the Adapter to the Filling Hose.** Attach the filling hose from your brake fluid exchanger to the nipple on the FOXWELL Master Cylinder Bleeder Adapter. Ensure a snug and secure connection.
2. **Step 2: Initiate Fluid Flow.** If using a powered brake bleeder, turn on the switch and observe the brake fluid as it begins to flow from the exchanger into the master cylinder reservoir. Monitor the fluid level and pressure according to your brake bleeder's instructions.
3. **Step 3: Connect to Brake Fluid Cylinder.** The adapter is now connected to the brake fluid cylinder via the filling hose, allowing for efficient removal of old fluid and introduction of new fluid throughout the brake system. Proceed with the bleeding procedure as recommended by your vehicle manufacturer and brake bleeder system.

# EASY TO OPERATE

This adapter is designed to make it easy to remove and refill brake system fluid.

## STEP 1

Connect the adapter to the filling hose



## STEP 2

Turn on the switch and observe till the brake fluid to flow out



## STEP 3

Connect the filling hose to the brake fluid cylinder via the adapter



Image: A step-by-step guide illustrating the easy operation of the FOXWELL Master Cylinder Bleeder Adapter, from connecting the hose to initiating fluid exchange.

## MAINTENANCE

---

Proper maintenance of your FOXWELL Master Cylinder Bleeder Adapter will ensure its longevity and reliable performance:

- **Cleaning:** After each use, disconnect the adapter and rinse it thoroughly with a mild dish soap solution. This helps remove any residual brake fluid, which can be corrosive.
- **Rinsing:** Follow the soap wash with a thorough rinse using clean water to remove all soap residue.
- **Drying:** Completely dry the adapter using compressed air or allow it to air dry in a clean, dry environment. Ensure no moisture remains, as moisture is detrimental to brake system components and the adapter itself.
- **Storage:** Store the adapter in a clean, dry place, away from direct sunlight and extreme temperatures.
- **Inspection:** Periodically inspect the rubber rings for any signs of wear, cracking, or damage. Replace if necessary to maintain optimal sealing performance.

## TROUBLESHOOTING

---

Problem	Possible Cause	Solution
Brake fluid leakage from adapter connection.	Adapter not securely tightened; damaged or worn rubber rings; incorrect adapter size for reservoir.	Ensure adapter is tightly screwed onto the reservoir. Inspect rubber rings for damage and replace if necessary. Verify the adapter is the correct size for your vehicle's master cylinder reservoir.
Difficulty connecting adapter to reservoir.	Incorrect adapter type or size; debris in reservoir threads.	Confirm the adapter is compatible with your specific Mazda or Ford model. Clean any debris from the reservoir threads before attempting to attach the adapter.
Ineffective brake fluid exchange.	Poor seal at adapter; issues with the brake bleeder exchanger itself.	Check adapter seal as described above. Refer to the instruction manual for your brake fluid exchanger for troubleshooting its operation.

## SPECIFICATIONS

---

- **Model:** RT1000
- **Brand:** FOXWELL
- **Material:** High-quality Aluminum
- **Item Weight:** 50 g
- **Parcel Dimensions:** 14.99 x 7.98 x 3.99 cm
- **Compatibility:** Designed for various Mazda and Ford vehicles (refer to compatibility list in Product Features).

## SUPPORT

---

For any questions regarding the use, compatibility, or maintenance of your FOXWELL Master Cylinder Bleeder Adapter, please contact FOXWELL customer support. As a manufacturer and brand owner of professional automotive tools, FOXWELL is committed to providing comprehensive guidance and solutions to ensure the best user experience.

Please refer to the official FOXWELL website or your purchase documentation for specific contact information.