



Manuals.plus /

› SogesHome /

› SogesHome 3-Piece Bar Table Set Instruction Manual - Model 10CZSMDX-Z813FG

SogesHome 10CZSMDX-Z813FG

SogesHome 3-Piece Bar Table Set Instruction Manual

Model: 10CZSMDX-Z813FG | Brand: SogesHome

1. INTRODUCTION

Thank you for choosing the SogesHome 3-Piece Bar Table Set. This manual provides essential information for the safe assembly, operation, and maintenance of your new furniture. Please read these instructions carefully before beginning assembly and retain them for future reference.

This set includes one bar table with integrated 3-tier storage shelves and two matching stools, designed for small spaces and versatile use in kitchens, dining areas, or home pubs.

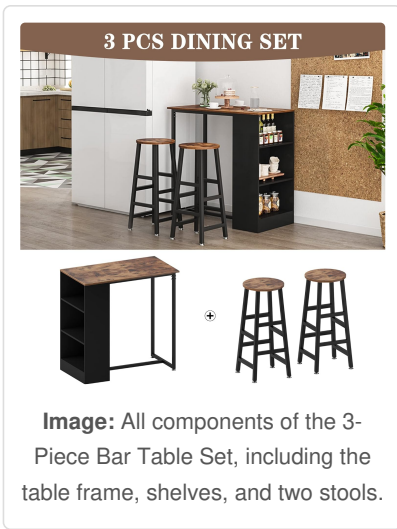
2. SAFETY INFORMATION

WARNING: Failure to follow these safety instructions may result in injury or damage to the product.

- Exercise caution around sharp edges during assembly and use.
- Follow all assembly instructions precisely to prevent injuries and ensure structural integrity.
- Do not exceed the maximum weight limit of 28 kilograms (61.7 lbs) for the table.
- Ensure all screws and fasteners are securely tightened before use. Periodically check and re-tighten as needed.
- Keep small parts away from children during assembly to prevent choking hazards.
- Place the table on a level surface to prevent wobbling and instability.

3. PACKAGE CONTENTS

Before assembly, verify that all components listed below are present and undamaged. If any parts are missing or damaged, please contact customer service immediately.



The package typically includes:

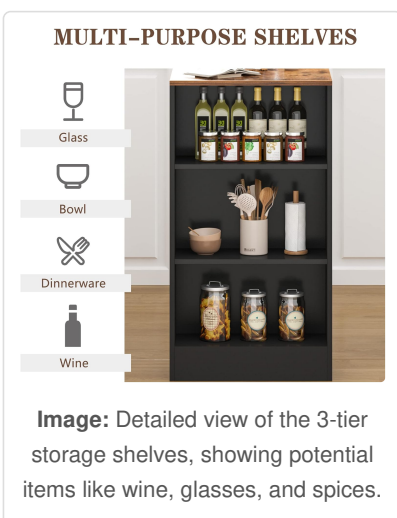
- Bar Table Top
- Table Frame Components
- 3-Tier Storage Shelf Components
- Two Stools (Seats and Leg Frames)
- Assembly Hardware (screws, bolts, Allen wrench)
- Instruction Manual

4. SETUP AND ASSEMBLY INSTRUCTIONS

Assembly is designed to be straightforward. Please follow the steps below. It is recommended to assemble the unit on a soft, clean surface to prevent scratches.

Step 1: Assemble the Storage Unit

Begin by assembling the 3-tier storage shelves. Attach the side panels to the shelf boards using the provided screws. Ensure all connections are firm.



Step 2: Assemble the Table Frame

Connect the metal frame components for the bar table. Ensure the long support bars are correctly oriented. Do not fully tighten screws until all parts are loosely assembled.

Step 3: Attach Tabletop and Storage Unit

Carefully place the table top onto the assembled table frame. Secure it with the designated screws. Then, attach the assembled 3-tier storage unit to the side of the table frame, aligning the pre-drilled holes.



Image: The assembled bar table set with two stools, showcasing its compact design in a kitchen.

Step 4: Assemble the Stools

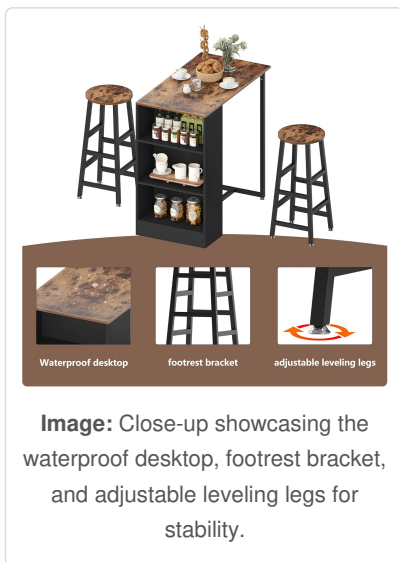
For each stool, attach the seat to the leg frame using the provided hardware. Ensure the footrest brackets are correctly positioned and secured. Once all parts are assembled, fully tighten all screws on the table and stools.



Image: Another view of the bar table set, highlighting the two stools and the table's design.

Step 5: Adjust Leveling Legs

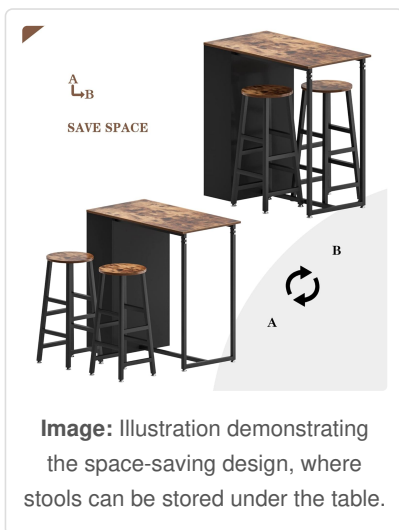
The table is equipped with adjustable leveling legs. Turn these legs to ensure the table is stable and level on uneven floors, preventing wobbling.



5. OPERATING INSTRUCTIONS

The SogesHome 3-Piece Bar Table Set is designed for versatile use:

- **Dining Area:** Use the table and two stools for meals, snacks, or coffee breaks.
- **Workstation:** The table can serve as a compact desk for laptops or other work-related tasks.
- **Storage:** Utilize the 3-tier side shelves to store kitchen essentials such as wines, glasses, pepper jars, tableware, cookbooks, or small appliances.
- **Space-Saving:** The stools are designed to tuck neatly under the table when not in use, maximizing space in smaller living areas.



6. MAINTENANCE

To ensure the longevity and appearance of your bar table set, follow these maintenance guidelines:

- **Cleaning:** Wipe surfaces with a soft, damp cloth. Avoid harsh chemicals or abrasive cleaners, which can damage the finish.
- **Spills:** Clean up spills immediately to prevent staining, especially on the particle wood surfaces.
- **Tighten Fasteners:** Periodically check all screws and bolts and re-tighten them as necessary to maintain stability.
- **Avoid Excessive Heat/Moisture:** Do not place hot items directly on the table surface without protection.

Avoid prolonged exposure to moisture.

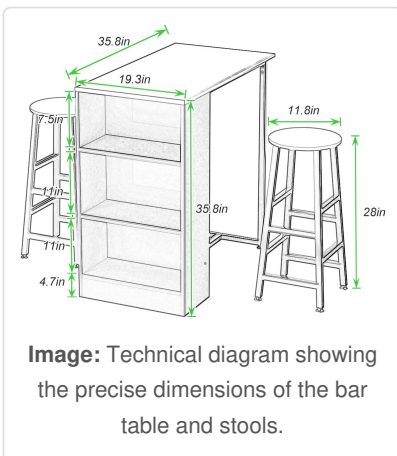
7. TROUBLESHOOTING

If you encounter any issues with your SogesHome Bar Table Set, refer to the following common solutions:

- **Wobbly Table/Stools:** Ensure all assembly screws are fully tightened. Adjust the leveling feet on the table to compensate for uneven floors.
- **Difficulty during Assembly:** Double-check the instruction manual for correct part orientation and screw placement. Sometimes, a slight adjustment in how parts are aligned before tightening can resolve issues. If a part seems to not fit, re-evaluate the step.
- **Missing Parts:** If any parts were missing upon arrival, contact customer service for replacements.

8. SPECIFICATIONS

Feature	Detail
Model Number	10CZSMDX-Z813FG
Brand	SogesHome
Table Dimensions (L x W x H)	35.8 x 19.3 x 35.8 inches (90.9 x 49 x 90.9 cm)
Stool Dimensions (D x H)	11.8 x 28 inches
Item Weight	28 kg (61.7 lbs)
Material	E1 Standard Particle Wood (Panel), Metal Frame
Color	Vintage Black2
Assembly Required	Yes



9. WARRANTY AND SUPPORT

SogesHome is committed to providing quality products. For any issues, questions, or concerns regarding your 3-Piece Bar Table Set, please contact our customer service team. We are available to assist you with assembly, missing parts, or any other product-related inquiries.

Please refer to your purchase documentation for specific warranty details and contact information.

