

Manuals+

[Q & A](#) | [Deep Search](#) | [Upload](#)

Manuals.plus /

› [Panda Plus](#) /

› Panda Plus Motorized Electric Ceiling TV Mount AMG-T6MX Instruction Manual

Panda Plus AMG-T6MX

Panda Plus Motorized Electric Ceiling TV Mount AMG-T6MX Instruction Manual

1. INTRODUCTION

This manual provides detailed instructions for the installation, operation, and maintenance of your Panda Plus AMG-T6MX Motorized Electric Ceiling TV Mount. Designed for televisions ranging from 37 to 75 inches, this mount offers motorized rotation and tilt, controlled via a dedicated application or the included RF remote control. It also integrates with smart home systems like Alexa and Google Assistant for enhanced convenience. Please read this manual thoroughly before installation and use to ensure safe and optimal performance.

2. SAFETY INFORMATION

Important Safety Instructions:

- Ensure the mounting surface (ceiling) can safely support the combined weight of the mount and your television. Consult a professional if unsure.
- Do not exceed the maximum weight capacity of 45 kg (99 lbs).
- Verify that the VESA pattern of your TV is compatible with the mount.
- Follow all installation steps precisely. Improper installation can lead to equipment damage or personal injury.
- Keep children and pets away from the installation area.
- Disconnect power before performing any maintenance or adjustments.
- Avoid placing objects in the path of the TV's movement to prevent collisions. The mount features an automatic rebound function in case of collision.

3. PACKAGE CONTENTS

Before beginning installation, please verify that all components listed below are present and undamaged:

- 1x Panda Plus AMG-T6MX Motorized Electric Ceiling TV Mount
- 1x RF Remote Control
- 1x Power Cable (3m)
- Screws, brackets, and installation accessories

- Instruction Manual (this document)

4. SPECIFICATIONS

Brand	Panda Plus
Model	AMG-T6MX
Material	Steel, Aluminum, Plastic
Supported TV Sizes	37" to 75" (flat or curved)
Maximum Weight Capacity	45 kg (99 lbs)
VESA Compatibility	200x100, 200x200, 300x200, 400x200, 300x300, 400x300, 600x200, 400x400, 600x300, 600x400 mm
Tilt Angle	0° to -75°
Rotation Angle	+90° to -90°
Screen Level Adjustment	+2° to -2°
Power Input	AC 100-240V
Power Output	DC 29V
Connectivity	Wi-Fi (2.4GHz), App (Panda Plus, Tuya, Smart Life), RF Remote Control
Smart Home Integration	Alexa, Google Assistant
Dimensions (folded)	759 x 664 x 503 mm (29.9" x 26.1" x 19.8")
Product Weight	15.5 kg
Certifications	CE, FCC, RoHS, ANATEL: 07870-24-13626



Figure 4.1: The Panda Plus Motorized Electric Ceiling TV Mount in a bedroom setting, demonstrating its discreet integration and smart home features.

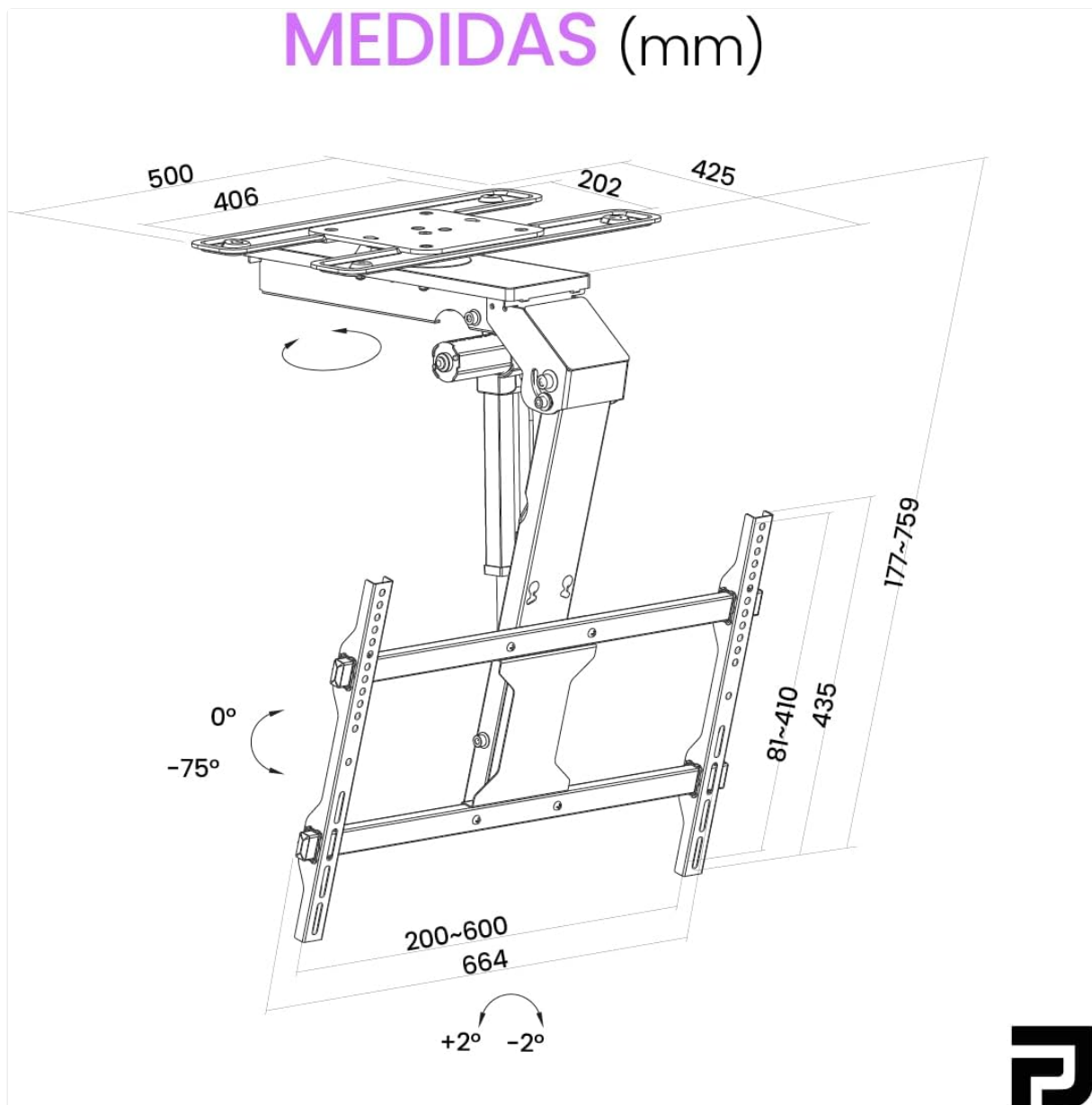


Figure 4.2: Dimensional drawing of the AMG-T6MX mount, illustrating key measurements and adjustable angles.

5. SETUP AND INSTALLATION

Proper installation is crucial for the safety and functionality of your motorized TV mount. Please follow these steps carefully. It is recommended to have two people for installation.

5.1 Pre-Installation Checks

- Identify the exact mounting location on your ceiling. Ensure it is structurally sound and can support the weight.
- Confirm your TV's size (37-75 inches) and weight (up to 45kg) are within the mount's specifications.
- Check your TV's VESA mounting pattern for compatibility.
- Gather all necessary tools (drill, screwdriver, measuring tape, pencil, level).

5.2 Mounting the Ceiling Plate

1. Use the provided template (if applicable) or measure and mark the drilling points on the ceiling. Ensure the marks align with the ceiling joists or a reinforced area.
2. Drill pilot holes to the specified depth (e.g., 5.5 cm as shown in the video).
3. Secure the ceiling plate to the ceiling using the appropriate screws and washers. Tighten all screws firmly.

Automação completa



Figure 5.1: Control options for the mount, including the mobile application and RF remote control.

5.3 Assembling the TV Bracket

1. Attach the horizontal support bars to the main bracket using the provided screws and tools.
2. Secure the vertical TV mounting arms to the horizontal bars, ensuring they match your TV's VESA pattern.



Figure 5.2: The mount's compatibility with TV sizes from 37 to 75 inches.

5.4 Attaching the TV to the Mount

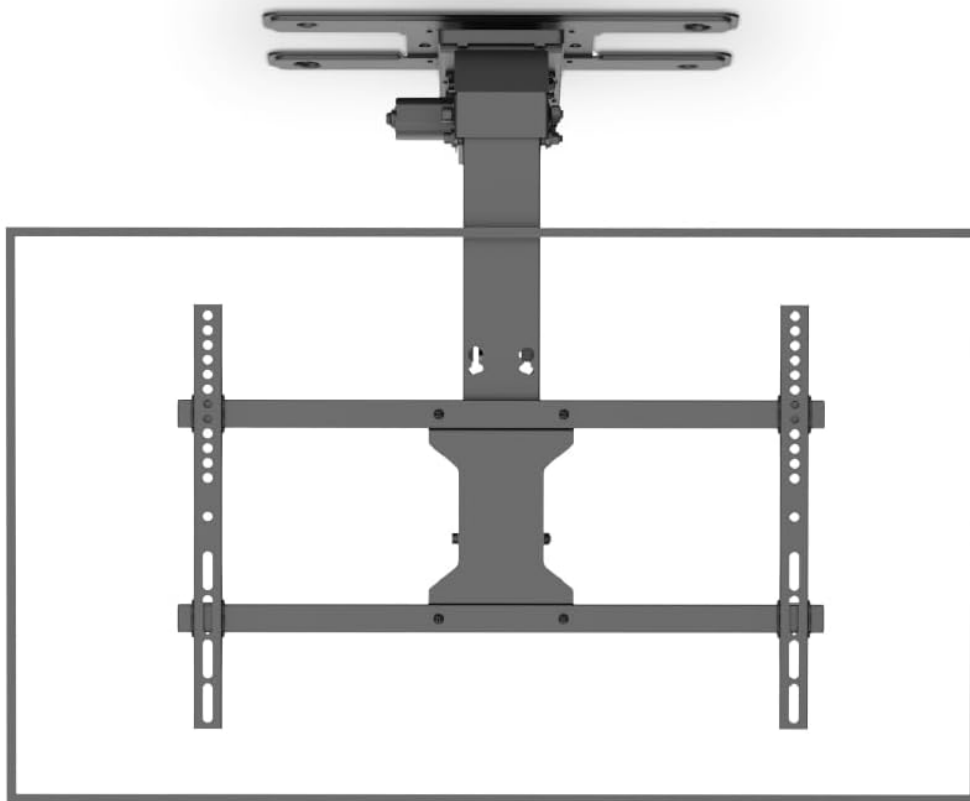
1. Carefully place your TV face down on a soft, clean surface.
2. Attach the assembled TV bracket to the back of your television using the appropriate VESA screws. Ensure a secure fit.
3. With assistance, lift the TV and hook the TV bracket onto the ceiling mount. Secure it with any safety screws or locking mechanisms.



Figure 5.3: Key features and specifications of the mount, including weight capacity, VESA, and movement ranges.

5.5 Cable Management

Route all necessary cables (power, HDMI, etc.) through the integrated cable management system to maintain a clean and organized appearance.



Alta Resistência e Segurança

- 👍 Estrutura robusta em aço, alumínio e plástico premium.
- 👍 Capacidade de carga de até 45 kg
- 👍 Acabamento em preto fosco.
- 👍 Testado para resistência 4 vezes.



Figure 5.4: The durable construction materials and high load capacity of the mount.

5.6 Installation Video Guide

For a visual guide on the installation process, please refer to the official installation video below. This video demonstrates the steps for mounting the unit and attaching the TV.

Your browser does not support the video tag.

Video 5.1: Official installation guide for the motorized ceiling TV mount, demonstrating the mounting process and cable management.

6. OPERATING INSTRUCTIONS

Your Panda Plus AMG-T6MX mount offers multiple control options for convenience.

6.1 Using the RF Remote Control

- **Power On/Off:** Press the power button to extend or retract the TV.

- **Tilt Adjustment:** Use the designated tilt buttons to adjust the screen angle from 0° to -75°.
- **Rotation Adjustment:** Use the rotation buttons to swivel the TV +90° to -90°.
- **Memory Presets:** The remote may include buttons for saving and recalling preferred positions. Refer to the remote's specific instructions for programming.

6.2 Using the Mobile Application (Panda Plus, Tuya, Smart Life)

1. Download the "Panda Plus", "Tuya Smart", or "Smart Life" app from your smartphone's app store.
2. Register or log in to your account.
3. Add the device: Follow the in-app instructions to connect your TV mount to your home Wi-Fi network (2.4GHz).
4. Once connected, you can control all mount functions (extend, retract, tilt, rotate) directly from the app.
5. The app allows for advanced features such as setting schedules, creating scenes, and fine-tuning movement parameters.

6.3 Smart Home Integration (Alexa, Google Assistant)

1. Ensure your TV mount is successfully connected to the Tuya Smart or Smart Life app.
2. Open your Alexa or Google Home app.
3. Enable the "Tuya Smart" or "Smart Life" skill/service.
4. Link your Tuya/Smart Life account with Alexa/Google Assistant.
5. Discover devices. Your TV mount should appear as a controllable device.
6. You can now use voice commands such as:
 - "Alexa, turn on the TV mount."
 - "Hey Google, retract the TV."
 - "Alexa, set TV mount to position 1." (if presets are configured)

Suporte TV motorizado

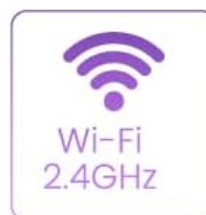


Figure 6.1: Overview of the smart features and connectivity options of the motorized TV mount.

7. MAINTENANCE

Regular maintenance ensures the longevity and smooth operation of your TV mount.

- **Cleaning:** Wipe the mount and TV surfaces with a soft, dry cloth. Do not use abrasive cleaners or solvents.
- **Inspection:** Periodically check all screws and connections to ensure they are tight. Re-tighten if necessary.
- **Cable Check:** Ensure cables are not pinched or frayed. Adjust cable management as needed.
- **Motor Operation:** If you notice any unusual noises or jerky movements, discontinue use and consult the troubleshooting section or contact customer support.

8. TROUBLESHOOTING

If you encounter any issues with your Panda Plus AMG-T6MX mount, refer to the following common problems and solutions:

- **Mount does not respond to remote/app:**
 - Check if the mount is powered on and connected to a power source.
 - Replace batteries in the RF remote control.
 - Ensure your smartphone is connected to the internet and the app is updated.
 - Verify the mount is connected to your Wi-Fi network (2.4GHz). Try restarting your router.

- **TV movement is jerky or incomplete:**
 - Check for any obstructions in the path of the TV.
 - Ensure the TV weight does not exceed the maximum capacity.
 - Inspect all mounting screws and connections for tightness.

- **Smart home integration not working:**
 - Confirm the Tuya Smart/Smart Life skill is enabled and linked in your Alexa/Google Home app.
 - Ensure the mount is online and controllable via the Tuya/Smart Life app.
 - Try re-discovering devices in your smart home app.

If the problem persists after trying these solutions, please contact Panda Plus customer support for further assistance.

9. WARRANTY AND SUPPORT

The Panda Plus AMG-T6MX Motorized Electric Ceiling TV Mount comes with a manufacturer's warranty of 3 months from the supplier. Please retain your proof of purchase for warranty claims.

For technical support, warranty inquiries, or any other questions, please refer to the contact information provided with your purchase or visit the official Panda Plus website.