

[Manuals.plus](#) /

> [Miracle-Gro](#) /

> Miracle-Gro 6' x 4' x 6' Outdoor Mini Walk-in Greenhouse Plant Tent Instruction Manual

## Miracle-Gro 6' x 4' x 6'

# Miracle-Gro 6' x 4' x 6' Outdoor Mini Walk-in Greenhouse Plant Tent Instruction Manual

Model: 6' x 4' x 6' - 2025 Model

## INTRODUCTION

The Miracle-Gro 6' x 4' x 6' Outdoor Mini Walk-in Greenhouse Plant Tent is designed to provide an optimal growing environment for plants throughout the year. This portable and durable greenhouse is suitable for various outdoor spaces, including patios, decks, and gardens, creating a stable microclimate to support healthy plant growth. Its construction features a robust steel frame and a specialized UV-treated fabric cover for enhanced plant protection and accelerated growth.

## KEY FEATURES

- **Compact Walk-In Design:** Ideal for starting seedlings early and extending the growing season for vegetables, herbs, or flowers in smaller outdoor areas.
- **Durable Steel Frame Construction:** Features a high-grade 1" tubular steel frame with a powder-coated finish, offering resistance against rust, corrosion, chipping, and peeling for long-lasting outdoor performance.
- **Luminate Light Diffusion Fabric Cover:** The triple-layer 5.5 oz ripstop polyethylene cover is waterproof and UV-treated both inside and out. This translucent fabric maximizes light diffusion, accelerating plant growth while protecting them from harmful UV rays and overheating. It also aids in retaining heat and moisture, reducing watering frequency.
- **Ventilated for Airflow and Control:** Equipped with front and rear zippered screen vents, plus roll-up side panels, to improve airflow, circulation, and temperature regulation. Bungee cord fasteners ensure a secure and tight fit for these panels.
- **Spacious and Functional:** The full walk-in design includes a bolt-together frame and auger anchors for extra stability.

# Perfect Environment For Plants



Figure 1: Key features of the greenhouse, including light-diffusing cover, adjustable vents, and roll-up side panels for temperature control.

# High Grade Steel Frame Construction



Figure 2: Details of the high-grade steel frame construction, highlighting the powder-coated finish, cover rail, and durable slip-fit connections.

## SETUP INSTRUCTIONS

Assembly of the Miracle-Gro Greenhouse is designed to be straightforward. The frame components are bolt-together for ease of construction. Ensure all parts are present before beginning assembly.

1. **Unpack Components:** Carefully unpack all parts and verify against the included parts list.
2. **Assemble Frame:** Connect the tubular steel frame components using the provided bolts and slip-fit connections. Ensure all connections are secure.
3. **Attach Cover:** Drape the triple-layer Luminate Light Diffusion Fabric cover over the assembled frame. Ensure it is centered and aligned correctly.
4. **Secure Cover:** Fasten the cover to the frame using the integrated bungee cord fasteners and cover rails to achieve a taut fit.
5. **Anchor Greenhouse:** Utilize the included auger anchor set to secure the greenhouse to the ground. For rocky terrain or alternative surfaces like decks, consider using appropriate alternative anchoring methods (e.g.,

screwing to a deck platform).



Figure 3: The Miracle-Gro Greenhouse fully assembled and ready for use in a garden.

## Setup Demonstration Video

Your browser does not support the video tag.

Video 1: A demonstration of the Miracle-Gro Greenhouse Tent, highlighting its features and ease of setup. This video shows the greenhouse in a backyard, demonstrating the roll-up door and windows, and discussing the steel frame and anchoring options.

## Product Overview Video

Your browser does not support the video tag.

Video 2: A review of the Miracle-Gro 6' x 4' x 6' Greenhouse, showcasing its versatility for placement on a deck or in a yard, and detailing the two-window system and steel frame construction.

## OPERATING INSTRUCTIONS

Effective operation of your greenhouse involves managing temperature, humidity, and ventilation to create the best

environment for your plants.

- **Temperature Control:** The greenhouse's design helps retain heat. Monitor internal temperatures using a thermometer. On warmer days, utilize the ventilation features to prevent overheating.
- **Ventilation:** Open the front and rear zippered screen vents and roll up the side panels as needed to allow for air circulation. This is crucial for preventing excessive humidity and high temperatures, especially during sunny periods. Close vents during cooler temperatures or at night to retain heat.
- **Access:** The roll-up zippered door provides easy access for tending to plants, watering, and moving items in and out.
- **Watering:** The UV-treated fabric cover helps retain moisture, potentially reducing watering frequency. However, regularly check soil moisture levels and water plants as required.

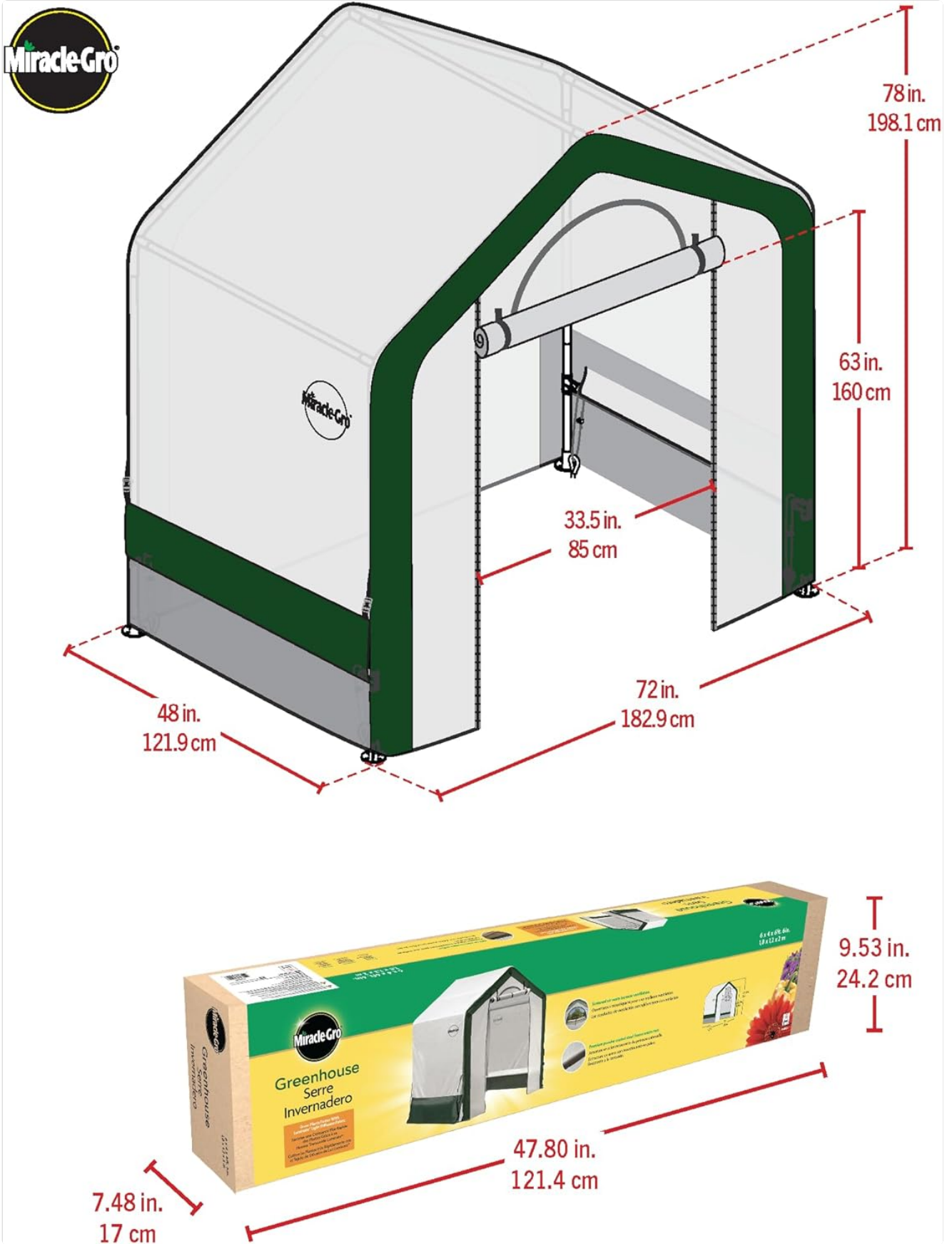


Figure 4: Dimensional diagram of the Miracle-Gro Greenhouse, illustrating its overall size.

## MAINTENANCE

Regular maintenance ensures the longevity and optimal performance of your greenhouse.

- Cleaning the Cover:** Periodically clean the polyethylene cover with mild soap and water to remove dirt and debris, ensuring maximum light penetration. Avoid harsh chemicals that could damage the UV treatment.

- **Frame Inspection:** Inspect the steel frame for any signs of rust or damage. The powder-coated finish is designed to resist corrosion, but regular checks are recommended. Tighten any loose bolts as necessary.
- **Anchoring Check:** Regularly verify that the auger anchors or alternative securing methods are firmly in place, especially after strong winds or heavy rainfall.
- **Zipper Care:** Keep zippers clean and lubricated to ensure smooth operation of doors and vents.

## TROUBLESHOOTING

Problem	Possible Cause	Solution
Greenhouse overheating	Insufficient ventilation; prolonged direct sunlight.	Open all zippered vents and roll-up side panels. Consider partial shading during peak sun hours if necessary.
Greenhouse unstable in wind	Inadequate anchoring; loose frame connections.	Ensure auger anchors are fully engaged. For decks, use appropriate screws to secure the base. Verify all frame bolts are tightened.
Cover difficult to zip/fit	Cover not properly aligned during installation; frame slightly out of square.	Re-adjust the cover to ensure even tension. Check frame for squareness and adjust if needed. Ensure zippers are clean and free of debris.
Water pooling on roof	Cover not taut enough; frame sag.	Re-tension the cover using bungee cords and cover rails. Inspect frame for any bending or damage.

## SPECIFICATIONS

- **Model:** 6' x 4' x 6' - 2025 Model
- **Brand:** Miracle-Gro
- **Product Dimensions (L x W x H):** 46.5" x 48" x 71" (118.1 cm x 121.9 cm x 180.3 cm)
- **Frame Material:** 1" Tubular Steel, Powder-Coated
- **Cover Material:** Triple-layer 5.5 oz Ripstop Polyethylene (PE), Waterproof, UV-Treated
- **Color:** Clear
- **Ventilation:** Front and Rear Zippered Screen Vents, Roll-up Side Panels
- **Anchoring:** Auger Anchor Set Included
- **Manufacturer:** ShelterLogic
- **UPC:** 677599690044

## WARRANTY & SUPPORT

The Miracle-Gro 6' x 4' x 6' Outdoor Mini Walk-in Greenhouse Plant Tent comes with a **1-Year Limited Warranty**. For detailed warranty information, product registration, ordering parts, or accessing how-to videos, please refer to the official Miracle-Gro support resources. USA-based customer service is available 7 days a week to assist with any questions.



Figure 5: The product is covered by a 1-Year Limited Warranty.

For further assistance, please visit the [Miracle-Gro Store on Amazon](#) or contact customer service directly.