

[Manuals.plus](#) /

› [SWTYMIKI](#) /

› SWTYMIKI Over-the-Door 3-Tier Shower Caddy Instruction Manual

SWTYMIKI ZWJ257-B-3

SWTYMIKI Over-the-Door 3-Tier Shower Caddy Instruction Manual

Model: ZWJ257-B-3

1. IMPORTANT SAFETY INFORMATION

Please read all instructions carefully before assembly and use. Keep this manual for future reference.

- Ensure the shower caddy is securely installed on a door that can support its weight and the weight of its contents.
- Do not overload the caddy. Refer to the specifications for weight limits (if available, otherwise general caution).
- Verify that the door thickness is compatible with the caddy's hooks (maximum 1.77 inches).
- Periodically check the suction cups and overall stability of the caddy.
- Keep small parts away from children during assembly.

2. PACKAGE CONTENTS

Before beginning assembly, ensure all parts are present and undamaged. If any parts are missing or damaged, please contact customer support.

- 2 x Main Vertical Frames
- 1 x Horizontal Support Bar
- 3 x Adjustable Storage Baskets
- 2 x Suction Cups
- Screws and Screwdriver for assembly



Figure 2.1: All components included in the SWTYMIKI Over-the-Door Shower Caddy package.

3. PRODUCT FEATURES

- **Large Capacity & Space Saving:** This 3-tier shower caddy provides ample storage for shampoo, soap, razors, and towels, optimizing bathroom space.
- **Rustproof Stainless Steel:** Constructed from premium stainless steel with a smooth surface, ensuring resistance to rust and water damage for long-lasting use in humid environments.
- **Adjustable Shelves:** Customize the height of each shower shelf to accommodate various bottle sizes and bath items, offering flexible organization.
- **Stable & Anti-Slip Structure:** Equipped with sticky suction cups to prevent sliding and scratching the door, maintaining stability even when fully loaded.
- **Quick Drainage Design:** The open wire basket design facilitates fast water drainage and airflow, keeping your items clean and dry.
- **Easy Tool-Free Installation:** Simply hang the caddy over your shower or bathroom door; no drilling or tools are required, preventing damage to walls or tiles.

- **Modern Minimalist Look:** Features a sleek black matte finish that complements contemporary bathroom aesthetics.
- **Door Compatibility:** Designed to fit doors up to 1.77 inches (4.5 cm) thick, suitable for various bathroom, dorm, and apartment doors.

4. SETUP AND INSTALLATION

Follow these steps to assemble and install your SWTYMIKI Over-the-Door Shower Caddy.

4.1 Assembly Steps

1. **Connect Vertical Frames:** Join the main vertical frame sections using the provided screws and screwdriver. Ensure they are securely fastened.
2. **Attach Horizontal Support:** Secure the horizontal support bar to the lower section of the vertical frames using the designated screws.
3. **Install Suction Cups:** Attach the two suction cups to the pre-drilled holes on the vertical frames. Ensure the backing film is removed for proper adhesion.
4. **Hang Baskets:** Place the adjustable storage baskets onto the vertical frames at your desired heights. The baskets can be repositioned later as needed.

Your browser does not support the video tag.

Video 4.1: Official assembly guide for the SWTYMIKI Over-the-Door Shower Caddy, demonstrating step-by-step installation.

4.2 Mounting the Caddy

1. **Check Door Compatibility:** Ensure your door's thickness is less than or equal to 1.77 inches (4.5 cm). The caddy is not suitable for sliding doors or doors with irregular edging.
2. **Position Caddy:** Carefully hang the assembled caddy over the top edge of your shower or bathroom door.
3. **Secure Suction Cups:** Press the suction cups firmly against the door surface to create a strong seal. This prevents the caddy from swinging or scratching the door.

**Suitable for doors
with thickness
less than 4.5cm/1.77in**

1.77in (4.5cm)



Not suitable for sliding doors



Figure 4.2: Proper door thickness for caddy installation.

Will this fit my bathroom door?



A simple guide to door types. Check before you buy for a hassle-free setup.



⊗ Sliding Doors



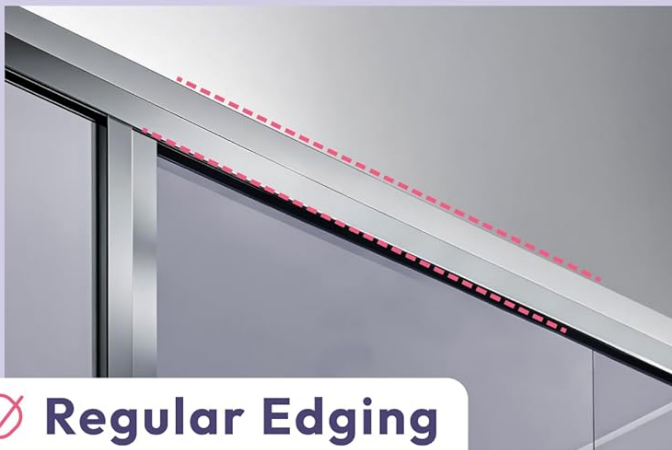
✓ Fixed Panel



⊗ Hinged Doors



⊗ Bi-Fold Doors



✓ Regular Edging



⊗ Irregular Edging

Figure 4.3: Door type compatibility guide for the shower caddy.

5. USAGE

The SWTYMIKI Shower Caddy is designed for versatile storage in your bathroom.

- **Adjusting Shelf Height:** The baskets can be easily moved up or down along the vertical frames to accommodate items of different heights, such as tall shampoo bottles or smaller soaps.
- **Using Hooks:** The integrated hooks are ideal for hanging razors, washcloths, loofahs, or other small bath accessories.
- **Soap Holder:** Utilize the dedicated soap holder at the bottom for bar soaps, ensuring they drain properly and stay dry.



Figure 5.1: Demonstrating the adjustable height design of the caddy shelves.

6. MAINTENANCE

To ensure the longevity and appearance of your shower caddy, follow these maintenance tips:

- **Cleaning:** Wipe the caddy regularly with a soft, damp cloth and mild soap. Avoid abrasive cleaners or scouring pads, which can damage the finish.
- **Drying:** The open wire design promotes quick drying. For best results, ensure good ventilation in your shower area.
- **Rust Prevention:** The caddy is made from rustproof stainless steel. However, prolonged exposure to standing water or harsh chemicals can affect its finish. Rinse thoroughly after cleaning.
- **Suction Cup Care:** If suction cups lose their grip, clean them and the door surface thoroughly. A small amount of petroleum jelly on the rim of the cup can improve suction.

High-quality stainless steel material

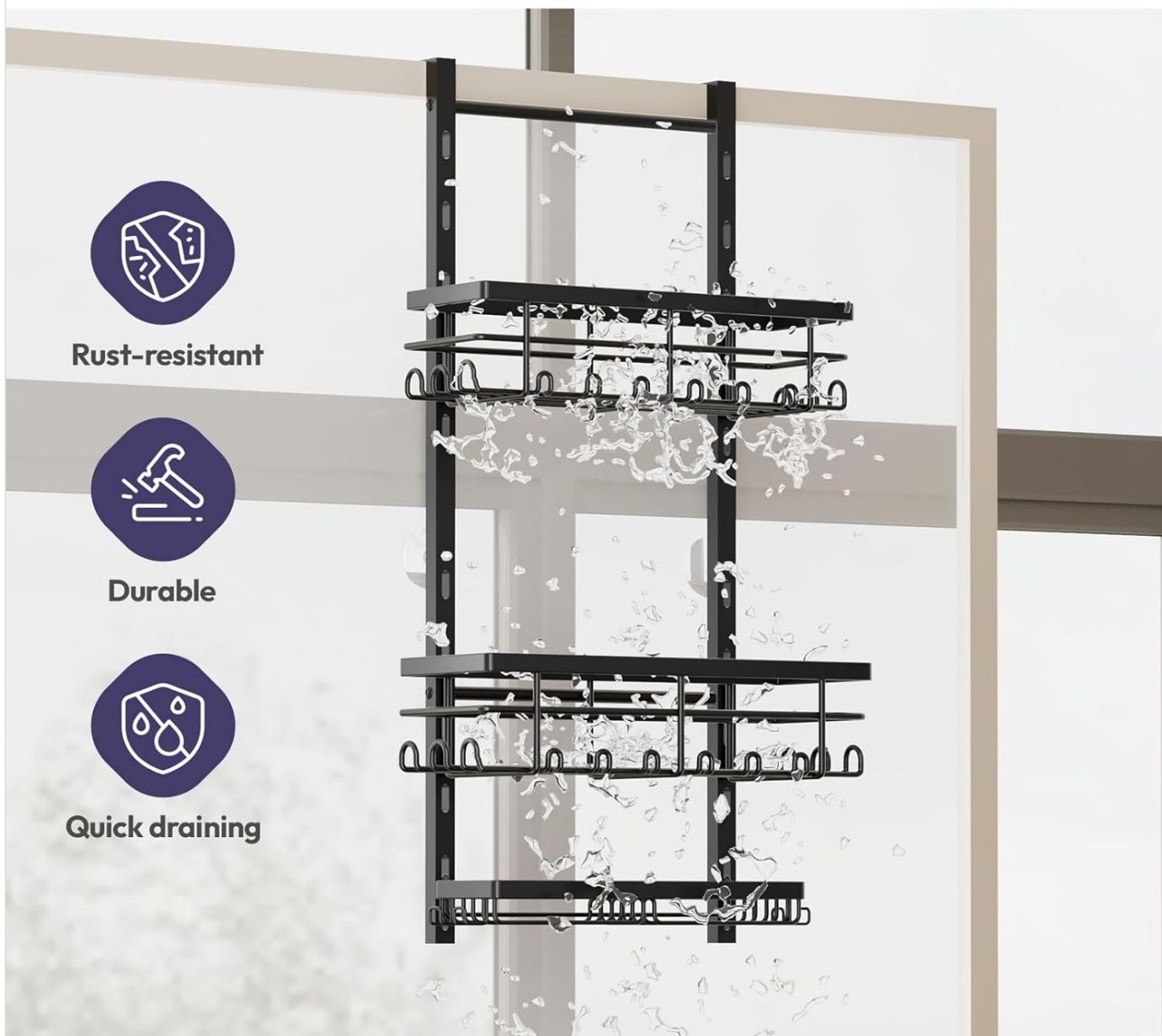


Figure 6.1: The caddy's design promotes quick drainage and resists rust.

7. SPECIFICATIONS

Feature	Detail
Brand	SWTYMIKI
Model Number	ZWJ257-B-3
Material	Stainless Steel
Color	Black-3 Tier
Product Dimensions (D x W x H)	4.65"D x 12.6"W x 24.41"H (11.8cm D x 32cm W x 62cm H)
Mounting Type	Hanging Mount (Over-the-Door)
Special Features	Adjustable, Large Capacity, Quick Dry, Rust Resistant

Feature	Detail
Door Thickness Compatibility	≤ 1.77 inches (4.5 cm)
Item Weight	2.44 pounds

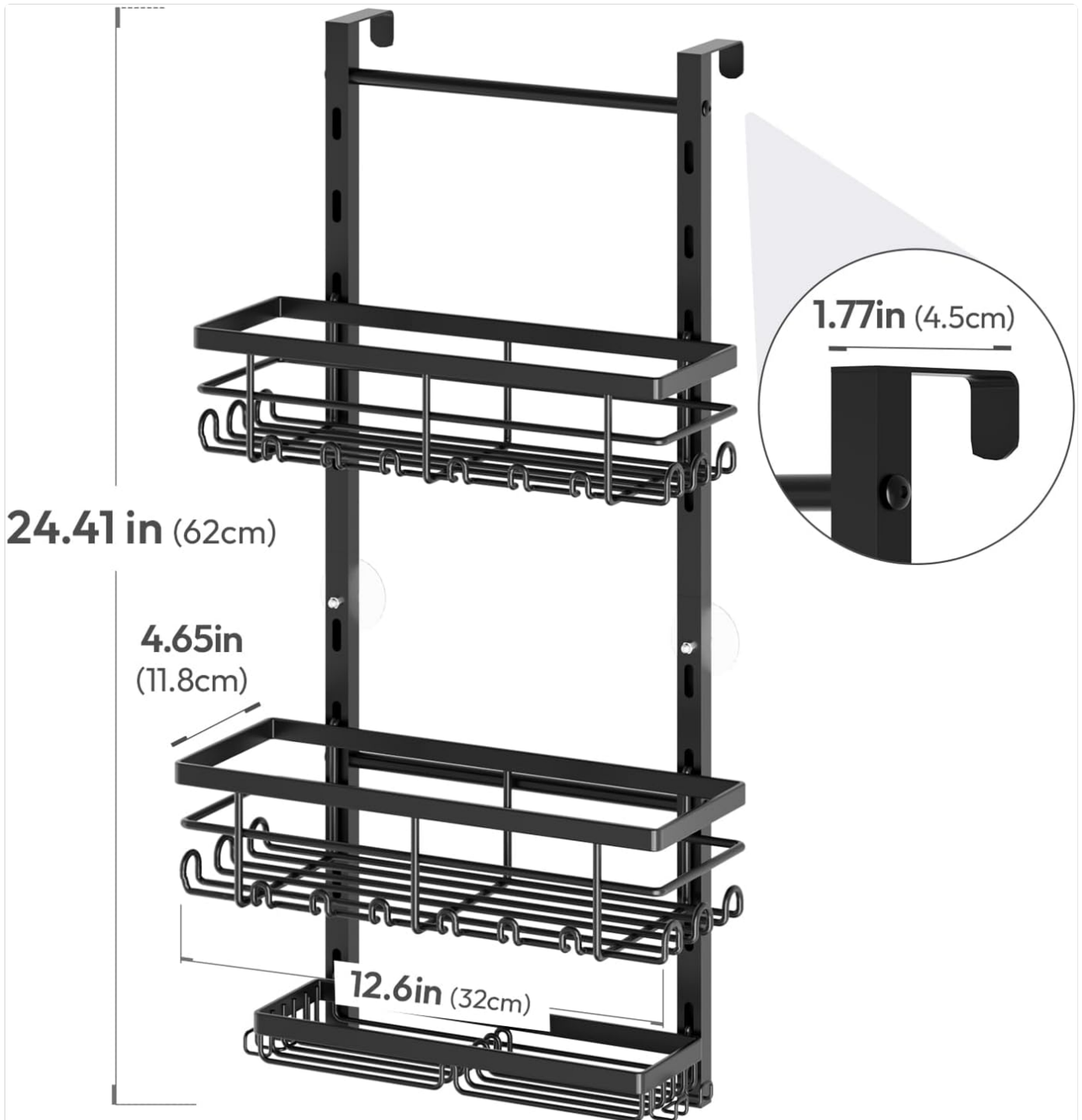


Figure 7.1: Detailed dimensions of the shower caddy.

8. TROUBLESHOOTING

- **Caddy is not stable:** Ensure the suction cups are clean and firmly pressed against a smooth, dry door surface. Verify that the door thickness is within the compatible range.
- **Baskets slide down:** Confirm that the baskets are correctly seated in the designated slots on the vertical frames.
- **Rust spots appear:** While rustproof, prolonged exposure to harsh chemicals or standing water can cause issues. Clean regularly and ensure proper drainage.

9. WARRANTY AND SUPPORT

For any product inquiries, missing parts, or warranty claims, please contact SWTYMIKI customer support through the retailer where the product was purchased. Please have your model number (ZWJ257-B-3) and purchase date available.

