



Manuals.plus /

› Meliya /

› Meliya Gloryfit Smart Watch Charger User Manual

Meliya Gloryfit T80 T70 T60 T50 P99 P98 Charger

Meliya Gloryfit Smart Watch Charger User Manual

Model Compatibility: Gloryfit T80, T70, T60, T50, P99, P98 Smart Watches

INTRODUCTION

This manual provides essential instructions for the safe and effective use of your Meliya 4mm Magnetic USB Charging Cable, designed for Gloryfit T80, T70, T60, T50, P99, and P98 smartwatches. Please read this manual thoroughly before use and retain it for future reference.

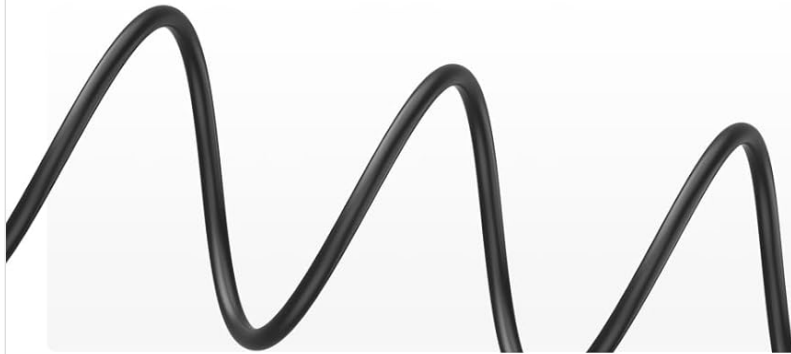
PRODUCT FEATURES

- **Compatibility:** Specifically designed for Gloryfit T80, T70, T60, T50, P99, P98 smartwatches.
- **Durable Construction:** Made from high-quality ABS plastic and TPE cable for stability and environmental friendliness.
- **Enhanced Safety:** Features built-in over-current, over-voltage, short-circuit, and over-temperature protection.
- **Reliable Charging:** Premium quality copper wire and gold-plated pins ensure safe and efficient power transfer.
- **Convenient Lengths:** Available in 60cm (2FT) and 100cm (3.3FT) options for flexible use.

REINFORCED DESIGN

Multi-Layer Shielding

More stable



Flexible PVC Cable

Easy to roll

Pure Copper Probe-Gap 4mm

Rapid and stable conduction



Image: Illustration of the charger's reinforced design, highlighting multi-layer shielding, flexible PVC cable, and pure copper probe with 4mm gap for stable conduction.

SETUP AND USAGE

1. **Verify Compatibility:** Before connecting, ensure your smartwatch has a 2-pin magnetic charging port with a 4mm (0.16 inch) pin spacing. Incorrect spacing may prevent charging or damage the device.



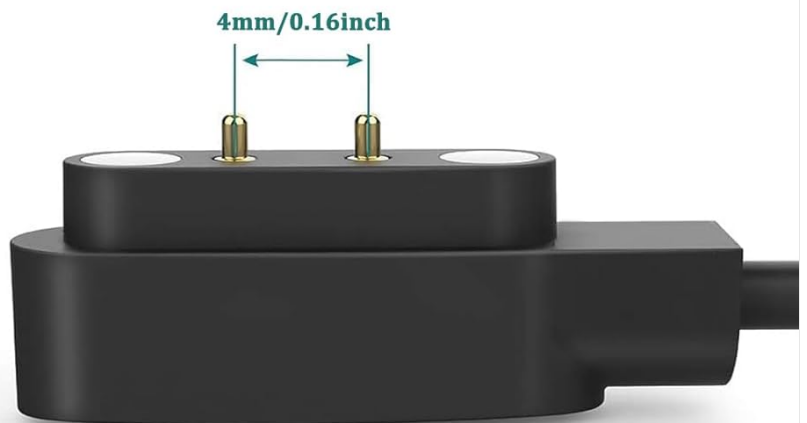
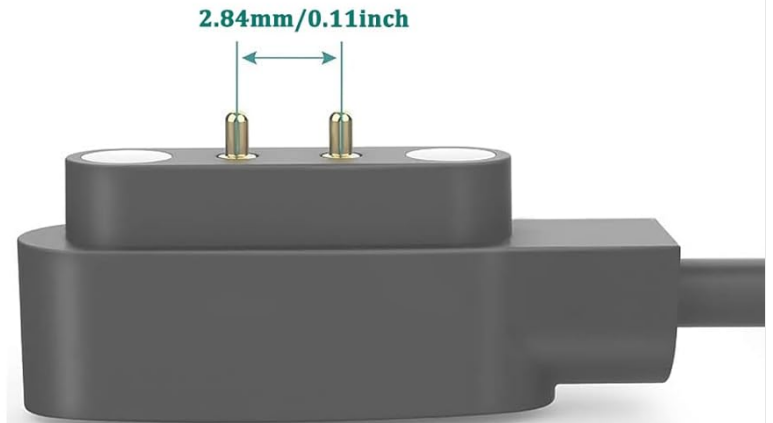
Please measure the charging distance.

Only suitable for spacing of 4mm/0.16inch.

Note: Please check the magnetic poles and electrodes of the product before purchasing.

Image: Diagram illustrating how to measure the 4mm pin spacing on a smartwatch charging port, indicating the correct magnetic pole alignment (N, +, S).

Attention! Please measure the distance only for 2 Pin with 4mm magnetic charging port



60cm /2ft

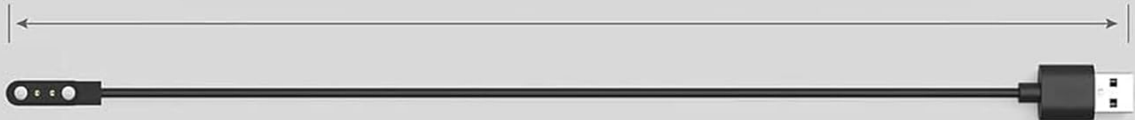


Image: Visual comparison of correct (4mm/0.16inch) and incorrect (2.84mm/0.11inch) pin spacing for the magnetic charging port, emphasizing the need for 4mm spacing.

- 2. Connect to Power Source:** Plug the USB-A end of the charging cable into a stable USB power source. Recommended sources include a computer, laptop, or a dedicated USB wall adapter (5V/0.5-1A output). Avoid using high-power cell phone chargers.

MULTI-WAY RECHARGE SOURCE

Plug the USB part and USB-enabled devices

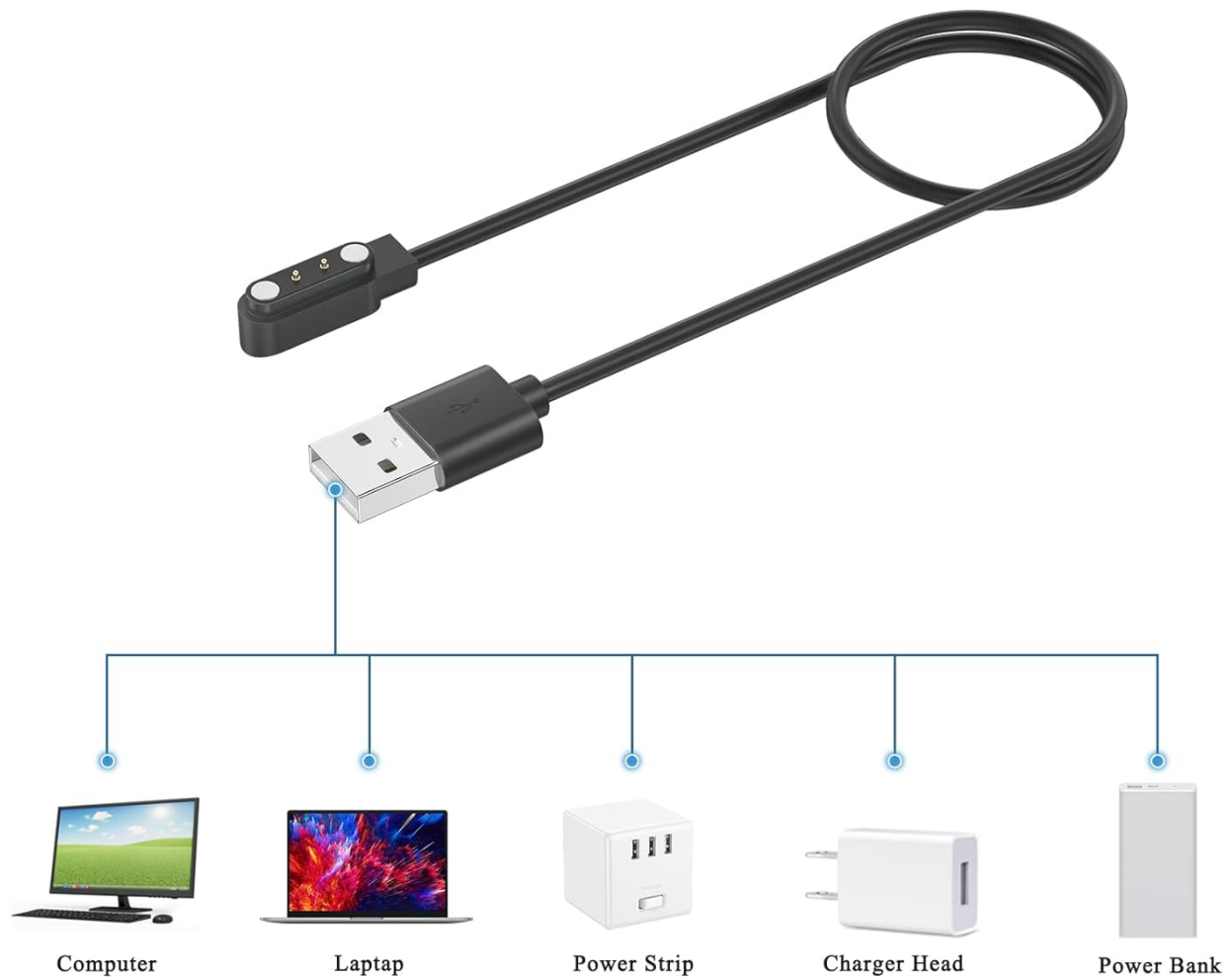


Image: Diagram showing various compatible USB power sources for the charger, including computers, laptops, power strips, charger heads, and power banks.

- Attach Smartwatch:** Align the magnetic charging pins of the cable with the charging contacts on your smartwatch. The magnetic connection will secure the charger in place. Ensure a firm connection for optimal charging.



Image: A smartwatch connected to the magnetic charger, which is plugged into a laptop, illustrating the charging process and highlighting built-in protections.

4. **Monitor Charging:** The smartwatch display should indicate that it is charging.

IMPORTANT CHARGING TIPS

- For optimal battery longevity, limit recharging time to approximately 80 minutes.
- It is advisable to charge your smartwatch before the battery is completely depleted.
- Always use a USB power source from a PC, Mac, laptop, or notebook for more stable voltage, rather than a high-power cell phone charger.
- The charging cable includes a built-in chip designed to protect your watch and prolong its service life.

COMPATIBILITY OVERVIEW

This charger is compatible with a range of smartwatches that utilize a 2-pin, 4mm magnetic charging interface. Confirmed compatible models include:

Gloryfit T80
Gloryfit T70
Gloryfit T60
Gloryfit T50
Gloryfit P99
Gloryfit P98

compatible models



Radley



Reflex Active



SoundPEATS



Ticwatch GTX



ZOSKVEE



Popglory



Togala



RKINC



YAMAY SW022



Tensky



Ordtop



RIVERSONG

Image: A visual representation of various smartwatch models that are compatible with this 4mm magnetic charger.

SPECIFICATIONS

Input Voltage/Current	5V/0.5-1A
Cable Length Options	60cm (2FT), 100cm (3.3FT)
Connector Type	USB Type A (Input), 2-Pin Magnetic (Output)
Pin Spacing	4mm (0.16 inch)
Material	ABS Plastic, TPE Cable, Copper Wire, Gold-Plated Pins
Safety Features	Over-current protection, Over-voltage protection, Short-circuit protection, Over-temperature protection

MAINTENANCE

- Keep the charging cable and magnetic contacts clean and free from dust or debris.
- Avoid bending or twisting the cable excessively to prevent internal damage.
- Store the charger in a dry place away from extreme temperatures.

TROUBLESHOOTING

- **Smartwatch not charging:**
 - Ensure the magnetic contacts on both the charger and smartwatch are clean and free of obstructions.
 - Verify that the charging pins are correctly aligned and the magnetic connection is secure.
 - Check if the USB power source is active and providing power. Try a different USB port or adapter.
 - Confirm that your smartwatch model is compatible with a 4mm 2-pin magnetic charger.
- **Slow charging:**
 - Ensure the power source provides sufficient current (0.5-1A). Using a lower current source may result in slower charging.
 - Avoid using shared USB hubs or unpowered USB ports, which may deliver insufficient power.
- **Charger feels warm:**
 - A slight warmth during charging is normal. If the charger becomes excessively hot, disconnect it immediately and contact support.

SAFETY INFORMATION

- Do not expose the charger to water or excessive moisture.
- Avoid dropping or subjecting the charger to strong impacts.
- Do not attempt to disassemble or modify the charger.
- Keep out of reach of children.
- Disconnect the charger from the power source when not in use.

PACKAGE CONTENTS

Your package includes:

- 2 x Meliya 4mm Magnetic USB Charging Cables (lengths may vary based on purchased variant, e.g., 2FT+2FT or 2FT+3.3FT)



Image: Two Meliya 4mm magnetic USB charging cables, illustrating the product as packaged.

WARRANTY AND SUPPORT

For any questions regarding the product before or after purchase, please contact Meliya customer support. Refer to your purchase documentation for specific warranty details.

Visit the Meliya Store for more information.