



[Manuals.plus](#) /

› [SUNSHINE VALLEY](#) /

› SUNSHINE VALLEY 7 Piece Patio Dining Set Instruction Manual (Model: B0FL238PCH)

SUNSHINE VALLEY B0FL238PCH

SUNSHINE VALLEY 7 Piece Patio Dining Set Instruction Manual

Model: B0FL238PCH

INTRODUCTION

Thank you for choosing the SUNSHINE VALLEY 7 Piece Patio Dining Set. This manual provides essential information for the safe assembly, operation, and maintenance of your new outdoor dining furniture. Please read these instructions carefully before assembly and retain them for future reference.



Image: The complete SUNSHINE VALLEY 7 Piece Patio Dining Set, featuring a black rectangular table and six fixed chairs with light-colored cushions, set up in an outdoor patio environment.

SAFETY INFORMATION

- Always assemble the product on a soft, non-abrasive surface to prevent damage.
- Ensure all bolts, screws, and knobs are securely tightened before use. Periodically check and re-tighten as necessary.
- Do not stand or climb on the table or chairs.
- Keep children away from the assembly area. Small parts can be a choking hazard.
- Distribute weight evenly on the table and chairs.
- Avoid placing hot items directly on the table surface without protection.

PACKAGE CONTENTS

Your SUNSHINE VALLEY 7 Piece Patio Dining Set includes the following components:

- 1 x Black Rectangle Patio Dining Table (66.9" x 38")

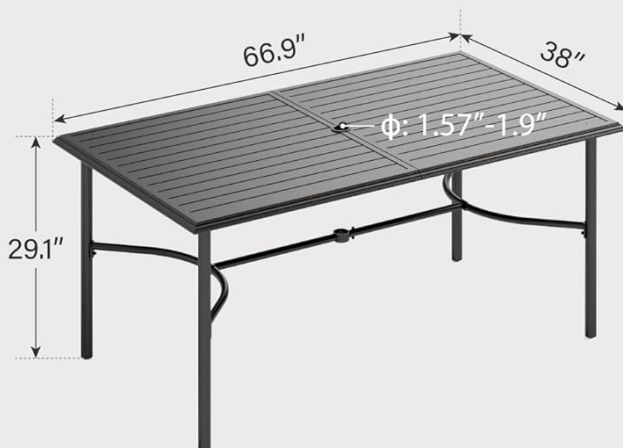
- 6 x Fixed Patio Dining Chairs with Cushions
- Assembly Hardware (bolts, washers, nuts, Allen wrench)
- Instruction Manual

Cushioned Patio Dining Sets

4 Boxes Will be Delivered

250 lbs
weight capacity

Fixed Chair **X 6**



250 lbs
weight capacity

Rectangular Table **X 1**

Image: Diagram showing the dimensions of the black rectangular patio table (66.9"L x 38"W x 29.1"H) and a fixed chair (23.3"W x 37.5"H, seat depth 20", cushion thickness 3.9"). It also indicates a weight capacity of 250 lbs for both the fixed chairs and the rectangular table.

SETUP AND ASSEMBLY INSTRUCTIONS

Assembly is required for this patio dining set. Please follow these general steps. Refer to the included hardware pack for specific fasteners.

- 1. Unpack Components:** Carefully remove all parts from the packaging. Lay them out on a clean, soft surface to avoid scratches. Verify all components and hardware are present against the parts list.
- 2. Assemble Chairs:**
 - Attach the chair back to the seat frame using the provided bolts.
 - Secure the armrests to the chair back and seat frame.

- Ensure all connections are finger-tight before fully tightening with the Allen wrench.



Image: Close-up images detailing the chair's construction, including an elegant back pattern design, crafted armrest design, hand-woven wicker texture, and the overall frame construction.

3. Assemble Table:

- Attach the table legs to the tabletop using the designated bolts.
- Connect any crossbars or support frames between the legs.
- The table features a pre-cut umbrella hole (1.57-1.9 inches) with a lid and fixing hole for stability.

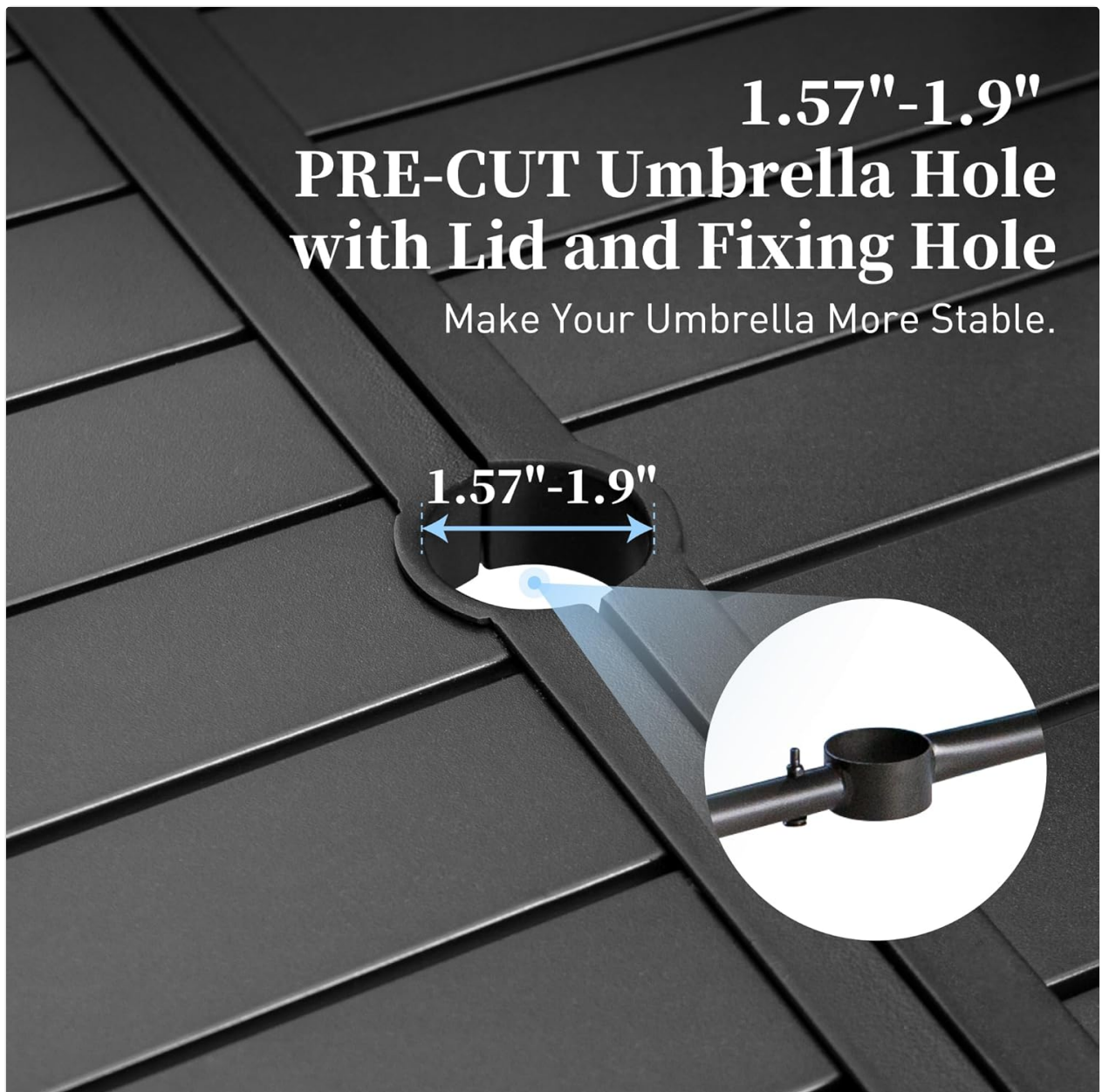


Image: A detailed view of the 1.57"-1.9" pre-cut umbrella hole on the black slatted patio table, showing the lid and fixing hole designed to make an umbrella more stable.

4. **Final Tightening:** Once all components are loosely assembled, place the furniture on a level surface. Gradually tighten all bolts and screws evenly until secure. Do not overtighten.
5. **Add Cushions:** Place the 3.9-inch thick cushions on the chairs. The cushions are designed for high resilience and comfort.



Image: Close-up images showing the details of the cushion, including high-density foam for the seat, a removable cover with a zipper, Velcro for fixing to the chair, and the 3.9-inch thickened seat cushion profile.

OPERATING INSTRUCTIONS

Your SUNSHINE VALLEY patio dining set is designed for comfortable outdoor dining and relaxation. Simply arrange the table and chairs in your desired outdoor space.

- **Seating:** The chairs feature a wide back and deep seat for generous support. The 3.9-inch extra thick cushions provide enhanced comfort for extended use.
- **Table Use:** The 66.9"x38" black slatted rectangular table comfortably accommodates 6 people. The slatted design allows for easy water drainage and debris removal.
- **Umbrella Integration:** Utilize the integrated umbrella hole in the table for shade during sunny days. Ensure your umbrella pole fits within the 1.57-1.9 inch diameter.



Image: A woman sitting comfortably in one of the patio dining chairs, highlighting the wide back and deep seat design for optimal comfort.

MAINTENANCE AND CARE

Proper care will extend the life and appearance of your patio dining set.

- **Frame Care:** The heavy-duty frame is constructed with E-COATING and POWDER-COATING for dual rust prevention and all-weather resistance. To clean, simply wipe with a damp cloth. No special care is needed for the frame.
- **Cushion Care:** The cushions feature CUSHION PRO technology, making them water-resistant, oil-proof, and stain-resistant. For spills or dirt, wipe down the fabric with a damp cloth. The removable covers with zippers allow for easier cleaning if needed.
- **General Cleaning:** Regularly clean the table and chairs to remove dust, pollen, and other outdoor debris. Use mild soap and water if necessary, and rinse thoroughly.
- **Winter Storage:** During harsh winter conditions, it is recommended to store cushions indoors and cover the furniture or store it in a sheltered area to prolong its lifespan.

CUSHION PRO® Technology

Easy to Clean



Water-resistant



Oil-resistant



Stain-resistant



UV-resistant

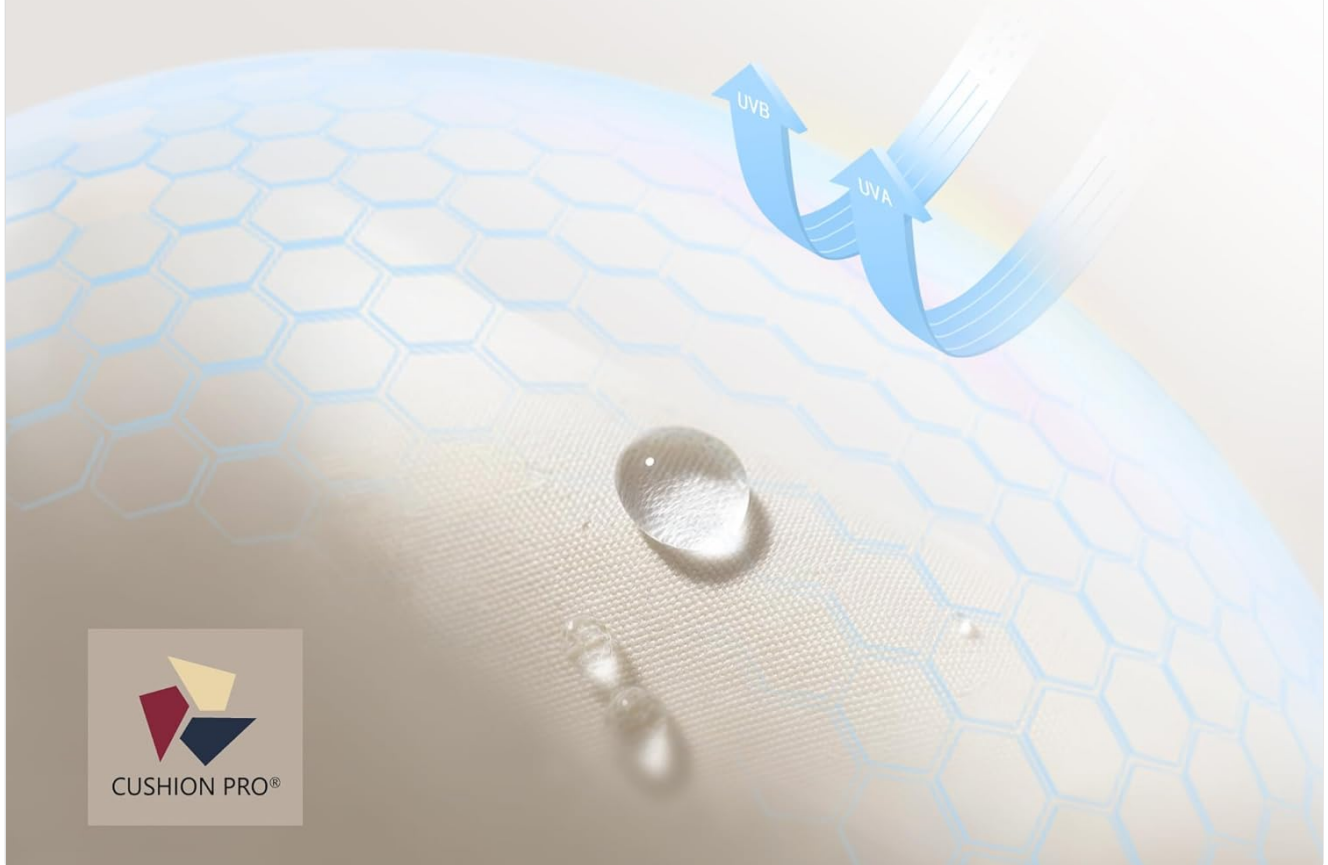
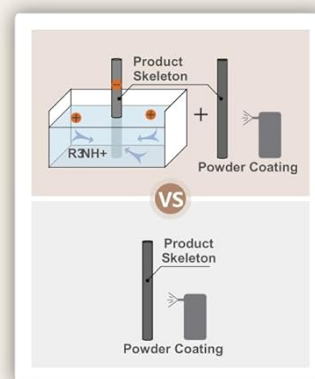


Image: An infographic illustrating the features of CUSHION PRO Technology, highlighting its water-resistant, oil-resistant, stain-resistant, and UV-resistant properties for easy maintenance.

Excellent All Weather Performance

Powder Coating &
Electro-Coating
Dual Rust-Proof Tech



Powder Coating
Electrophoretic Coating
Steel Process

Image: A diagram illustrating the dual rust-proof technology applied to the frame, showing the steel process, electrophoretic coating, and powder coating layers for excellent all-weather performance.

TROUBLESHOOTING

If you encounter any issues with your patio dining set, consider the following common solutions:

- **Wobbling Chairs/Table:** Ensure all bolts and screws are fully tightened. If the ground is uneven, consider using furniture levelers or shims under the legs.
- **Stains on Cushions:** For most stains, wipe immediately with a damp cloth. For stubborn stains, a mild soap solution can be used, followed by rinsing and air drying.
- **Rust Spots:** While the frame has dual rust prevention, prolonged exposure to harsh elements or damage to the coating can lead to rust. Clean any rust spots with a wire brush and apply a rust-inhibiting primer and paint.
- **Assembly Difficulties:** Double-check the instruction manual and ensure all parts are oriented correctly. Do not force parts together. If a part appears damaged or missing, contact customer support.

SPECIFICATIONS

Feature	Detail
Brand	SUNSHINE VALLEY
Model Number	B0FL238PCH
Set Name	SUNSHINE VALLEY 7 Piece Patio Dining Sets for 6
Color	Black Rectangle Table, 6 Fixed Chairs
Style	Modern
Table Shape	Rectangular
Table Dimensions	66.9" L x 38" W x 29.1" H (Approximate)
Umbrella Hole Diameter	1.57" - 1.9"
Chair Material	Rattan (Wicker), Metal Frame
Cushion Thickness	3.9 inches
Frame Finish	E-COATING and POWDER-COATING (Dual Rust Prevention)
Cushion Technology	CUSHION PRO (Water-resistant, Oil-proof, Stain-resistant)
Assembly Required	Yes
Product Care	Wipe with Damp Cloth

WARRANTY AND SUPPORT

For warranty information or customer support, please refer to the purchase documentation or contact SUNSHINE VALLEY directly through their official website or the retailer where the product was purchased. Please have your model number (B0FL238PCH) and proof of purchase ready when contacting support.