



Manuals.plus /

› MCombo /

› MCombo HL198M3 3-Seater Power Reclining Sofa Instruction Manual

MCombo HL198M3

MCombo HL198M3 3-Seater Power Reclining Sofa Instruction Manual

Model: HL198M3 | Brand: MCombo

INTRODUCTION

This manual provides detailed instructions for the assembly, operation, maintenance, and troubleshooting of your MCombo HL198M3 3-Seater Power Reclining Sofa. Please read this manual thoroughly before use to ensure proper function and longevity of your product.

SAFETY INFORMATION

Always follow basic safety precautions when using electrical appliances to reduce the risk of electric shock, fire, or injury. This sofa features an anti-forward-tip mechanism to enhance stability during operation. Ensure all connections are secure before use.

- Keep children and pets away from the moving parts of the recliner.
- Do not allow anyone to sit on the footrest when it is extended.
- Avoid placing hands or feet near the reclining mechanism.
- Ensure the power cord is not pinched or damaged.
- Unplug the sofa from the power outlet before cleaning or maintenance.

SETUP AND ASSEMBLY

Your MCombo HL198M3 sofa requires partial assembly. It is recommended that two people assemble this product. All necessary tools are included.

Unpacking and Component Identification

Carefully unpack all components and verify against the included parts list. The sofa arrives in multiple boxes. Components include left backrest, right backrest, middle backrest, left base, middle base, right base, armrests, accessories box, and instruction manual.



Image: MCombo 3-Seater Power Reclining Sofa, showcasing its design and certifications.

Assembly Steps

1. **Remove Protective Round Bar:** Locate and remove the protective round bar from the base units.
2. **Install Anti-forward-tipping Parts and Support Legs:** Attach the anti-forward-tipping brackets and support legs to the underside of each base unit. Ensure they are securely fastened.
3. **Wooden High Legs Assembly:** Turn the armrests upside down and ensure the wooden high legs are securely tightened.
4. **Bases Assembly:** Connect the left base with the middle base, and then connect the right base. Ensure all base units lock properly together.
5. **Armrests Assembly:** Insert the two brackets on each armrest downwards into the corresponding slots on the base units. Once secure, fully depress them.
6. **Backrests Assembly:** Align the backrest brackets with the base brackets and press down to secure each backrest. Ensure a firm connection.
7. **Wire Connections:** Connect all chair wiring, ensuring each connection is firm. Then, connect the power adapter

and plug it into a wall outlet.

8. **Paste Velcro:** Pull out and paste the Velcro strips to secure the cushions.

Assembly Video Guide

Your browser does not support the video tag.

Video: A step-by-step visual guide for assembling the MCombo Power Recliner Sofa (HL198 model).

OPERATING INSTRUCTIONS

Your MCombo HL198M3 sofa features power reclining mechanisms, adjustable headrests, and convenient charging ports.

Power Reclining and Adjustable Headrest

Each seat is equipped with independent button controls. Use the buttons on the side of the armrest to adjust the recline position and the headrest angle. The sofa offers standard TV modes and a 145° recline for comfort. The headrest can be adjusted from 0-90° for optimal neck support.



Adjustable Power Headrest

Adjust the headrest (0-90°) for perfect neck support in any position- watching TV, reading, or relaxing.



Image: Close-up of the adjustable power headrest, showing its range of motion for neck support.

One-Touch Reset Function

The user-friendly controller includes a home button. Pressing this button will return the chair to its upright position from any reclined state within a maximum of 22 seconds.



Image: The control panel with the one-touch reset button, USB, and Type-C ports.

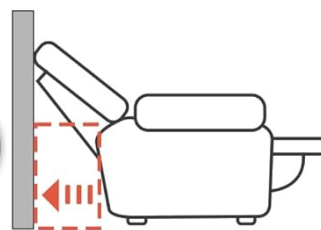
USB A & C Charge Ports

Dual USB and Type-C charge ports are conveniently located on both armrests, allowing you to charge your phone or tablet while relaxing.

Zero Wall Hugger Feature

The sofa's forward-gliding mechanism allows it to recline fully even when placed close to a wall, optimizing space in your living area.

True Zero-Clearance
saving space, dust-proof.



False Zero-Clearance Sofa



Image: Diagram illustrating the true zero-clearance design, allowing the sofa to recline close to a wall.

Operation Video Guide

Your browser does not support the video tag.

Video: Demonstrating the Zero Wall Power Recliner Sofa with Headrest features.

MAINTENANCE

To maintain the appearance and functionality of your MCombo sofa, follow these care instructions:

- **Cleaning:** Wipe clean with a dry cloth. Avoid using harsh chemicals or abrasive cleaners.
- **Spills:** Blot spills immediately with a clean, dry cloth. Do not rub.
- **Fabric Care:** The chenille fabric is designed for durability and fade resistance. Regular light vacuuming can help remove dust and debris.
- **Mechanism Care:** Periodically check all bolts and screws to ensure they are tight. Lubricate moving parts of the reclining mechanism if necessary, using a silicone-based lubricant.

- **Sunlight Exposure:** Avoid prolonged exposure to direct sunlight to prevent fading of the fabric.

TROUBLESHOOTING

If you encounter any issues with your MCombo Power Reclining Sofa, refer to the following common solutions:

- **Sofa Not Reclining:**
 - Check if the power cord is securely plugged into both the sofa and the wall outlet.
 - Ensure the power adapter is correctly connected to the sofa's wiring.
 - Verify that the power switch (if present) is in the 'ON' position.
 - Confirm that the wall outlet is functional by plugging in another appliance.
- **Headrest Not Adjusting:**
 - Check all electrical connections related to the headrest mechanism.
 - Ensure no obstructions are preventing the headrest from moving.
- **Unusual Noises During Operation:**
 - Inspect the reclining mechanism for any loose parts or obstructions.
 - Apply a silicone-based lubricant to moving metal parts if squeaking occurs.
- **USB Ports Not Charging:**
 - Ensure the sofa is powered on and plugged in.
 - Try a different USB cable or device to rule out a faulty accessory.

If the issue persists after attempting these steps, please contact MCombo customer support for further assistance.

SPECIFICATIONS

Feature	Detail
Brand	MCombo
Model Number	6160-HL198M3
Product Dimensions (D x W x H)	38.6"D x 88.6"W x 36.6"H
Item Weight	314.6 Pounds
Seating Capacity	3
Weight Limit	350 Pounds (per seat)
Upholstery Fabric Type	Chenille
Frame Material Type	Wood (FSC Certified)
Seat Fill Material	Foam (CertiPUR-US Certified)
Additional Features	Adjustable Headrest, Recliner, Space Saving (Zero Wall Hugger), USB Charging Ports (USB A & C), Anti-tip Design
Reclining Position Count	2 (TV mode, 145° recline)
Assembly Required	Yes (Partial Assembly)
Recommended Number of People for Assembly	2
Product Care Instructions	Wipe Clean with Dry Cloth

Ideal Height : 5'1"-5'9" Max Capacity : 350 lbs 1 Seat

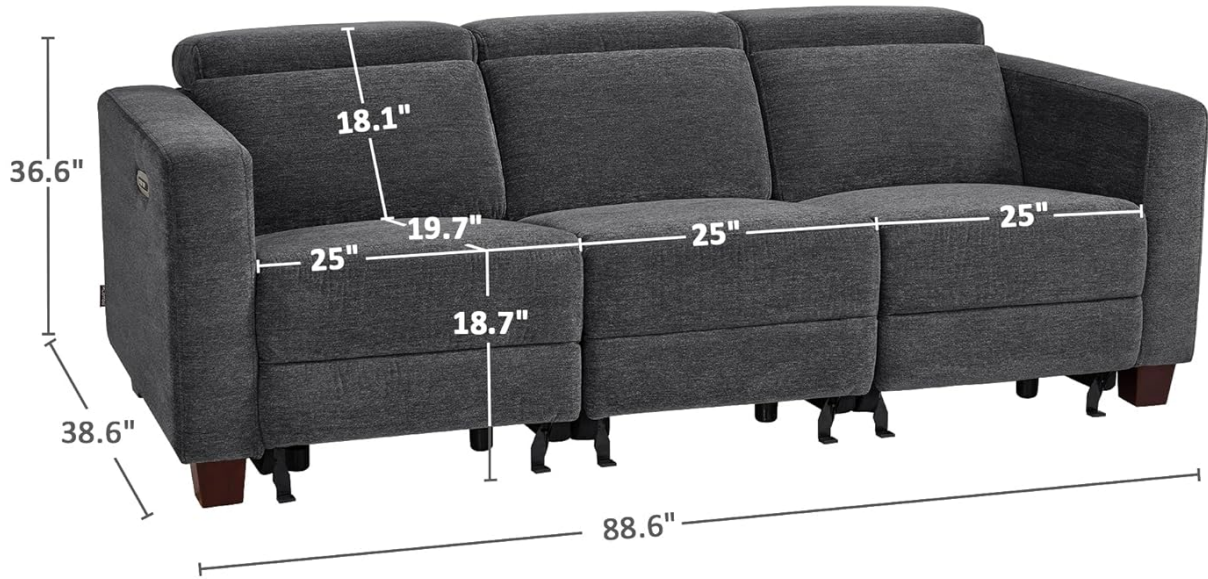


Image: Detailed dimensions of the MCombo 3-Seater Power Reclining Sofa.



Health, Safety, Comfort

CertiPUR-US certified High-Density Sponge Filling

Image: Cutaway view showing CertiPUR-US certified high-density sponge filling for health, safety, and comfort.



Image: Close-up of the OEKO-TEX Standard 100 certified fabric, highlighting its quality and safety.

WARRANTY INFORMATION

Your MCombo HL198M3 Power Reclining Sofa is backed by a **2-year limited warranty**. This warranty covers free replacements for:

- Reclining Mechanisms
- Electrical Systems
- Upholstery & Cushions
- Wood/Metal Frame Structures

Please retain your proof of purchase for warranty claims. For detailed terms and conditions, refer to the warranty card included with your product or contact customer support.

CUSTOMER SUPPORT

For any questions, assistance, or warranty claims regarding your MCombo HL198M3 Power Reclining Sofa, please contact MCombo customer support. You can typically find contact information on the MCombo official website or through your retailer.

MCombo is committed to providing quality products and excellent customer service. We value your feedback and are here to help.