

Manuals+

[Q & A](#) | [Deep Search](#) | [Upload](#)

manuals.plus /

› [Panasonic](#) /

› [Panasonic Lamdash ES-L341D-R 3-Blade Electric Shaver Instruction Manual](#)

Panasonic ES-L341D-R

Panasonic Lamdash ES-L341D-R 3-Blade Electric Shaver Instruction Manual

Brand: Panasonic | **Model:** ES-L341D-R

1. INTRODUCTION

This instruction manual provides essential information for the safe and effective use of your Panasonic Lamdash ES-L341D-R 3-Blade Electric Shaver. Please read this manual thoroughly before first use and keep it for future reference.

Important Safety Information

WARNING: This product contains sharp blades. Exercise caution when using it, especially near the face. Do not immerse the shaver in water while it is charging. To maintain hygiene and prevent bacterial growth, clean the shaver regularly and apply the dedicated oil as instructed.

2. PRODUCT OVERVIEW

Components

Your Panasonic Lamdash ES-L341D-R shaver package includes the following items:

- Panasonic Lamdash ES-L341D-R Electric Shaver
- AC Adapter
- Charging Stand
- Dedicated Oil
- Cleaning Brush

付属品一覧



充電スタンド



ACアダプター



専用オイル



掃除用ブラシ

Image: Included accessories for the Panasonic Lamdash ES-L341D-R shaver.

Key Features

- **Powerful Linear Motor:** Equipped with a high-speed linear motor, delivering approximately 13,000 strokes per minute for a powerful and efficient shave.
- **3-Blade System:** Features a precise 3-blade cutting system designed for a close and thorough shave.
- **Close-Contact Swing Head:** The shaver head pivots 30 degrees left and right, allowing it to closely follow facial contours for a smooth shave.
- **Water-Through Cleaning:** Designed for easy cleaning without removing the outer foil, allowing water to flow through and wash away stubble.
- **Wet/Dry Shaving:** Can be used for both dry shaving and wet shaving with foam or gel, including in the shower.
- **Can Shave While Charging:** Provides the convenience of shaving even when connected to the power source.



Image: The Panasonic Lamdash ES-L341D-R shaver.

3枚刃システム

ラムダッシュこだわりの
「システム刃」で
濃いヒゲもしっかり深剃り。

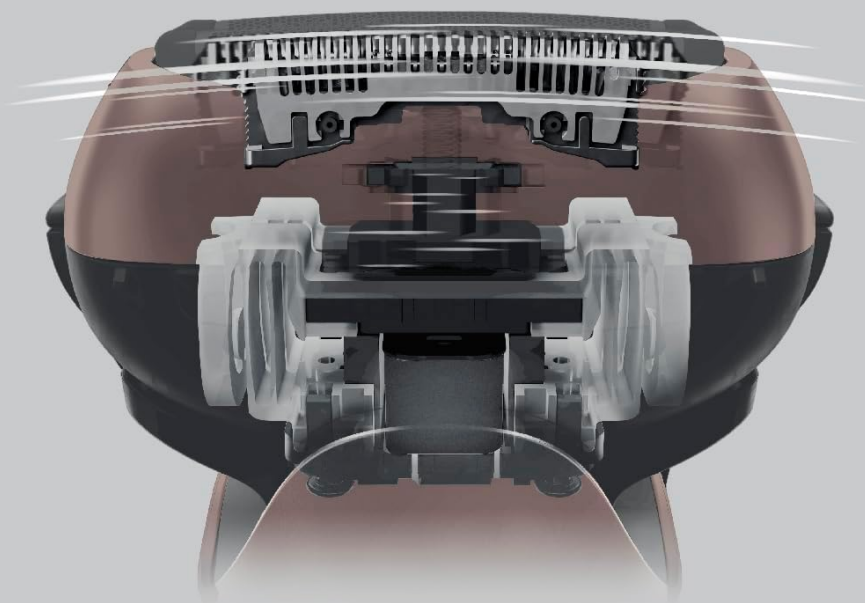


○写真はイメージです。

Image: Illustration of the 3-blade system, featuring one trimmer blade and two deep shave blades for effective hair removal.

高速リニアモーター駆動

とらえたヒゲを逃さず剃りきる
高速リニアモーター搭載。



約**13,000**ストローク/分

○写真のモデルはES-L381W-Nです。

○写真はイメージです。

Image: Internal view demonstrating the high-speed linear motor's operation, ensuring consistent power throughout the shave.

密着スイングヘッド

肌にしっかり
密着シェービング。



ヘッド部が
「左右」に
30°可動



○写真のモデルはES-L341D-Rです。

○写真・イラストはイメージです。

Image: The close-contact swing head adjusts to facial contours, providing a smooth and comfortable shave.

3. SETUP

Initial Charging

1. Place the shaver onto the charging stand.
2. Connect the AC adapter to the charging stand, then plug the AC adapter into a power outlet.
3. Charge the shaver for approximately 1 hour for a full charge. The charging indicator light will show the charging status.
4. Ensure the shaver is completely dry before placing it on the charging stand.

Note: For international travel, a separate plug adapter may be required depending on the country or region.

4. OPERATION

Shaving Technique

- Press the power button to turn on the shaver.
- Hold the shaver at a right angle to your skin.
- Gently stretch your skin with your free hand and move the shaver slowly against the direction of hair growth.
- Avoid pressing too hard, as this can cause skin irritation and reduce shaving efficiency.

Using the Pop-up Trimmer

The shaver includes a pop-up trimmer for precise grooming of sideburns and pre-cutting longer hairs.

1. Slide the trimmer switch upwards to engage the pop-up trimmer.
2. Use the trimmer to shape sideburns or trim longer beard hairs before main shaving.
3. After use, slide the trimmer switch downwards to retract the trimmer.

シャープトリマー

モミアゲ等のお手入れ、
ヒゲのプレカットに。



トリミング用の刃を
本体背面に搭載
切れ味の良い45°鋭角刃

○写真のモデルはES-L381W-Nです。

○写真はイメージです。

Image: The sharp pop-up trimmer, ideal for detailing sideburns and pre-cutting longer stubble.

5. MAINTENANCE

Cleaning

The ES-L341D-R features Water-Through Cleaning and is IPX7 waterproof, allowing for easy and thorough cleaning.

1. After each use, turn off the shaver.
2. Rinse the shaver head directly under running water. The water-through design allows stubble to be washed away without removing the outer foil.
3. For a deeper clean, you can use the sonic vibration cleaning mode (if available on your model) or wash the entire shaver body with water (ensure AC adapter and charging stand are not connected).
4. Shake off excess water and allow the shaver to air dry completely before storing or charging.

清潔

ウォータースルー洗浄

外刃をはずさずに、
ヒゲクズを洗い流せる。

防水設計 (IPX7基準)^{※1}

本体まるごと水洗い^{※2}で
刃の剃り味と清潔性を
キープ。



○写真のモデルはES-L381W-Nです。

※1 IPX7基準 (水深1メートルに30分間水に浸けても有害な影響を生じる量の水の浸入がない) 検査をクリアしています。

※2 全自動洗浄充電器、ACアダプターは除く。

○写真はイメージです。

Image: Water-through cleaning allows for easy rinsing of stubble without disassembling the blades, maintaining shaving performance and hygiene.

Oiling the Blades

Regular oiling helps maintain blade sharpness and ensures smooth operation.

1. After cleaning and drying, apply one or two drops of the dedicated oil to each outer foil.
2. Turn on the shaver for a few seconds to distribute the oil evenly.

3. Wipe off any excess oil with a soft cloth.

Blade Replacement

For optimal shaving performance, it is recommended to replace the outer foil and inner blades periodically.

- **Outer Foil:** Replace approximately every 1 year.
- **Inner Blades:** Replace approximately every 2 years.

Replacement intervals may vary depending on usage frequency and hair type. Refer to the product packaging or Panasonic's official website for compatible replacement parts.

定期的な刃の交換で 快適な剃り味

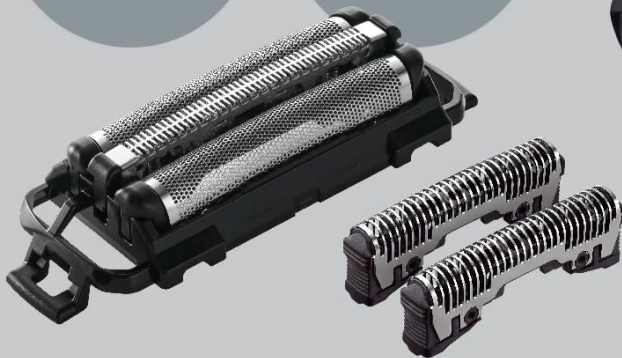
パナソニックのシェーバー
刃の交換時期

外刃

内刃

交換目安
約1年

交換目安
約2年



お使いのシェーバーによって、使用する替刃の種類は異なります。
ご購入の際には、適用替刃を確認の上、お買い求めください。

○写真のモデルはES-L381W-Nです。

○写真はイメージです。

Image: Recommended replacement schedule for outer foil and inner blades to maintain optimal shaving comfort and efficiency.

6. TROUBLESHOOTING

If you encounter any issues with your shaver, please refer to the following common solutions:

- **Shaver does not turn on:** Ensure the shaver is fully charged. If using AC power, check that the AC adapter is securely connected to both the shaver and the power outlet.

- **Reduced shaving performance:** Clean the shaver thoroughly. Apply dedicated oil to the blades. Consider replacing the outer foil and/or inner blades if they are old or damaged.
- **Skin irritation:** Ensure you are not pressing too hard against your skin. Shave against the direction of hair growth gently. Clean the shaver regularly to prevent bacterial buildup.
- **Unusual noise:** Clean the shaver thoroughly. Check for any foreign objects lodged in the blades or head. If the noise persists, contact customer support.

7. SPECIFICATIONS

Feature	Detail
Brand	Panasonic
Model Number	ES-L341D-R
Dimensions (H x W x D)	15.5 x 6.4 x 5.0 cm
Item Weight	155 grams (excluding cap)
Color	Red
Power Source	Rechargeable/AC (1-hour rapid charge)
Wattage	10 W
Number of Blades	3
Blade Material	Stainless Steel
Head Type	Reciprocating, Close-Contact Swing Head
Waterproof Rating	IPX7 (whole body washable)
Country of Manufacture (Main Unit)	Japan
Country of Manufacture (AC Adapter, Charging Stand)	China

8. WARRANTY AND SUPPORT

Manufacturer's Warranty

This Panasonic Lamdash ES-L341D-R shaver comes with a **12-month manufacturer's warranty** from the date of purchase. Please retain your proof of purchase for warranty claims. The warranty covers defects in materials and workmanship under normal use.

The warranty does not cover:

- Damage caused by improper use, accident, or neglect.
- Normal wear and tear of consumable parts such as blades and foils.
- Damage from unauthorized repairs or modifications.

Customer Support

For further assistance, troubleshooting, or to inquire about replacement parts, please contact Panasonic customer support. Contact details can typically be found on the official Panasonic website for your region or on the product

packaging.



© 2025 Panasonic Corporation. All rights reserved.