

[Manuals.plus](#) /

> [GYMAX](#) /

> GYMAX Reclining Camping Chair with Footrest Instruction Manual

GYMAX GM2249/52

GYMAX Reclining Camping Chair with Footrest Instruction Manual

INTRODUCTION

This manual provides detailed instructions for the safe and effective use of your GYMAX Reclining Camping Chair with Footrest. Please read this manual thoroughly before assembly and use, and retain it for future reference.

SAFETY INFORMATION

Important Safety Warnings:

- Always ensure the chair is fully opened and locked before use.
- Do not exceed the maximum weight capacity of 330 lbs (150 kg).
- Keep fingers and other body parts away from the folding mechanism to prevent injury.
- Always follow the instructions provided in this user guide for safe operation.

PRODUCT COMPONENTS

Your GYMAX Reclining Camping Chair includes the following main components:

- Chair Frame (Metal)
- Seat and Backrest Fabric (Mesh and 600D Oxford Cloth)
- Detachable Footrest
- Removable Padded Headrest
- Cup Holder
- Side Storage Pocket
- Carry Bag



Image: GYMAX Reclining Camping Chairs in use, showcasing the product's design and comfort.

SETUP INSTRUCTIONS

1. Unfolding the Chair

1. Remove the chair from its carry bag.
2. Hold the top of the chair frame and pull the legs outwards until the chair is fully extended.
3. Ensure all four legs are firmly on the ground and the frame is locked into position before sitting.

2. Attaching/Detaching the Footrest

The footrest can be easily attached or detached to convert the chair between a standard seat and a recliner.

- **To Attach:** Align the footrest frame with the designated attachment points on the main chair frame. Securely zip the footrest fabric to the chair's seat fabric.
- **To Detach:** Unzip the footrest fabric from the chair's seat fabric. Pull the footrest pipes upwards from their connection points on the main chair frame.



Image: Visual guide for removing the footrest, illustrating the unzipping and pipe detachment steps.

OPERATING INSTRUCTIONS

1. Adjusting the Backrest

The chair features a 4-position adjustable backrest for customized comfort.

1. To recline, press down on both armrests simultaneously.
2. While pressing, gently push the backrest to your desired angle (100°, 110°, 125°, or 140°).
3. Release the armrests to lock the backrest into position.
4. To bring the backrest upright, press down on the armrests and pull the backrest forward.

Easy to Remove the Footrest



Unzip the Footrest



Pull the pipes upward

Image: Detailed view of the backrest adjustment, showing the four available angles and the mechanism.

2. Using Integrated Features

- **Cup Holder:** Located on the armrest, designed to hold beverages securely.
- **Side Storage Pocket:** Features dividers for organizing small items such as phones, keys, or snacks.
- **Headrest:** The thick, removable padded headrest provides additional comfort and support.

Impressive Details



Image: Highlights of the chair's impressive details, including the headrest, armrests, foot pads, storage pocket, and cup holder.

FOLDING AND PORTABILITY

The chair is designed for easy folding and transport.

1. Ensure the footrest is detached (if previously attached).
2. Push the chair's frame inwards from the sides until it collapses.
3. Use the integrated strap to fasten the folded frame securely.
4. Place the folded chair into the provided carry bag for convenient storage and transportation.

Product Dimensions



Net Weight: 8.5 LBS



Max Load: 330 LBS

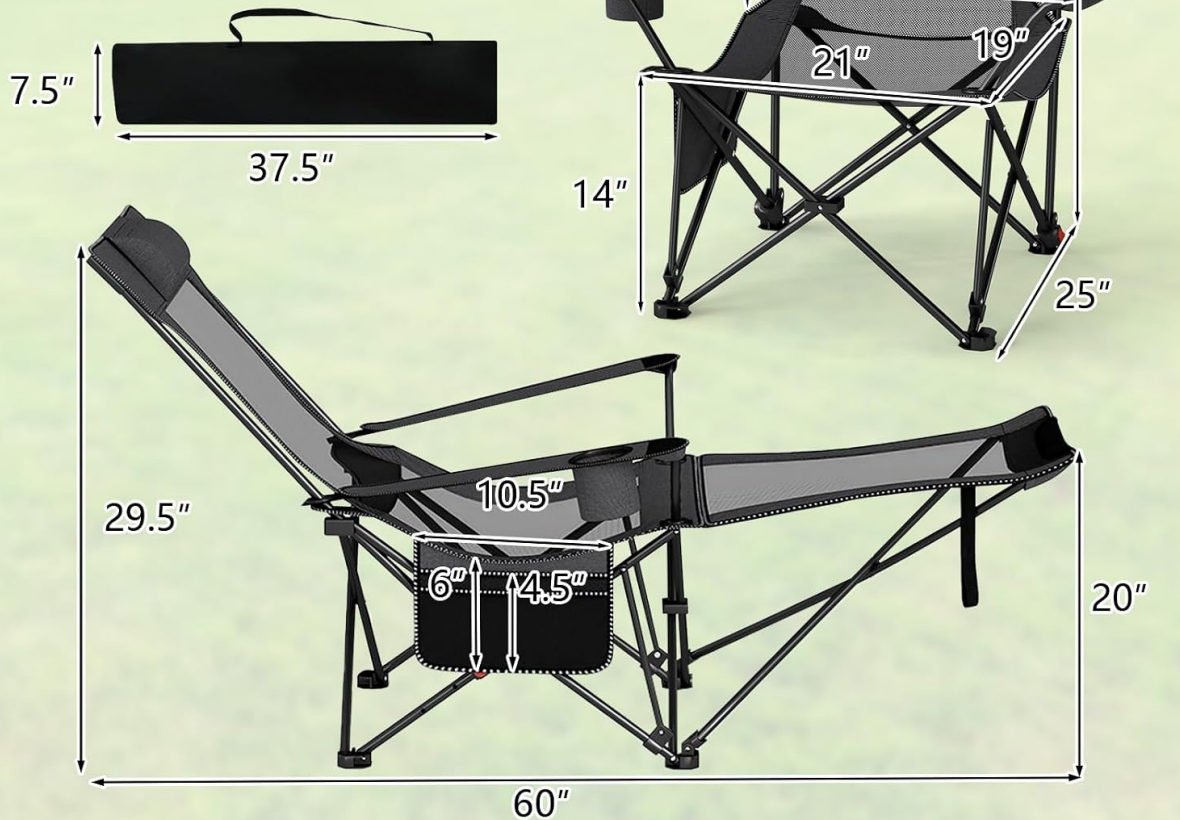


Image: Demonstrates the foldable and portable design, showing the chair being carried and its compact folded state.

MAINTENANCE

Proper maintenance ensures the longevity of your camping chair.

- **Cleaning:** Wipe down the fabric and frame with a damp cloth and mild soap. Avoid harsh chemicals that may damage the material. Allow to air dry completely before folding and storing.
- **Storage:** Store the chair in its carry bag in a cool, dry place away from direct sunlight and extreme temperatures when not in use.
- **Inspection:** Periodically check all frame connections, fabric, and moving parts for any signs of wear or damage. Do not use the chair if any components are compromised.

TROUBLESHOOTING

If you encounter issues with your camping chair, refer to the following common solutions:

- **Chair feels unstable:** Ensure all legs are fully extended and the frame is locked into place. Check that the chair is on a flat, stable surface.
- **Difficulty adjusting backrest:** Make sure you are pressing both armrests simultaneously and firmly

before attempting to recline or bring the backrest upright.

- **Footrest not attaching securely:** Verify that the zipper is fully engaged and the footrest pipes are correctly inserted into their attachment points.
- **Chair difficult to fold:** Ensure the footrest is detached. Apply even pressure to the frame when collapsing.

SPECIFICATIONS

Detailed product specifications for the GYMAX Reclining Camping Chair (Model GM2249/52):

Feature	Detail
Model Number	GM2249/52
Material	Oxford Cloth, Mesh, Metal
Color	Grey
Net Weight	8.5 lbs (3.85 kg)
Maximum Load Capacity	330 lbs (150 kg)
Reclining Dimension (with Footrest)	60" L x 32.5" W x 29.5" H
Upright Dimension (without Footrest)	32.5" L x 25" W x 34.5" H
Footrest Height	20"
Adjustable Backrest Positions	4 (100°, 110°, 125°, 140°)
Assembly Required	No (pre-assembled, just unfold)
Included Components	1 x Camping Chair, 1 x Carrying Bag, 1 x User Guide

4-Position Adjustable Backrest

Customize your comfort



Image: Product dimensions and specifications diagram.



Image: Details on high-quality materials used in the chair's construction.

WARRANTY AND SUPPORT

For warranty information or product support, please refer to the contact details provided with your purchase documentation or visit the official GYMAX website. Keep your purchase receipt as proof of purchase.