



[Manuals.plus](#) /

› [GLSQWZXD](#) /

› [GLSQWZXD V8 Engine Model Kit \(Y15001\) Instruction Manual](#)

GLSQWZXD Y15001

GLSQWZXD V8 Engine Model Kit (Y15001) Instruction Manual

Model: Y15001

[Introduction](#) [Safety Information](#) [Package](#)

[Contents](#) [Assembly](#) [Operation](#) [Maintenance](#) [Troubleshooting](#) [Specifications](#) [Warranty & Support](#)

1. INTRODUCTION

This manual provides detailed instructions for the assembly, operation, and maintenance of your GLSQWZXD V8 Engine Model Kit. This kit is designed to offer an engaging and educational experience in mechanical engineering principles, suitable for enthusiasts aged 8 and above. Please read this manual thoroughly before beginning assembly to ensure correct usage and to maximize your enjoyment of the product.

THE DYNAMIC PERFORMANCE OF THE GENUINE V8 ENGINE

BUILD YOUR OWN V8 ENGINE MODEL KIT



Image 1.1: The GLSQWZXD V8 Engine Model Kit, showcasing its realistic design within a car engine bay.

2. SAFETY INFORMATION

Please observe the following safety guidelines to prevent injury or damage to the product:

- **Age Recommendation:** This kit contains small parts and is recommended for individuals aged 8 years and older. Adult supervision is advised for younger builders.
- **Choking Hazard:** Keep small parts away from young children and pets.
- **Battery Safety:**
 - Requires 6x AA batteries (not included).
 - Do not mix old and new batteries.
 - Do not mix alkaline, standard (carbon-zinc), or rechargeable (nickel-cadmium) batteries.
 - Insert batteries with correct polarity (+ and -).
 - Remove exhausted batteries promptly.
 - Do not short-circuit battery terminals.
 - Remove batteries if the product is not used for an extended period.
- **Material Safety:** All components are made of child-friendly, safe, and non-toxic ABS material,

certified by ASTM and CPSIA.

- **Handling:** Handle components with care to avoid breakage.

3. PACKAGE CONTENTS

Before beginning assembly, please verify that all components are present in your kit. The GLSQWZXD V8 Engine Model Kit includes 2347 pieces. The main components are:

- 1x L Motor
- 1x Battery Box
- 1x Gift Box (packaging)
- 1x Clear Instructions Manual (this document refers to the detailed building guide)
- Approximately 2347 individual building blocks and parts



Image 3.1: Overview of key components included in the kit, along with the model's approximate dimensions.

4. ASSEMBLY INSTRUCTIONS

The assembly process involves 2347 pieces and requires attention to detail. Follow the included clear instructions manual step-by-step. The parts are organized in numbered bags to facilitate the building

process.

1. **Preparation:** Unpack all components and organize them. It is recommended to sort pieces by type or color as indicated in the detailed building guide.
2. **Follow the Guide:** Refer to the dedicated building instruction booklet for a comprehensive, step-by-step assembly process. Each step is illustrated to ensure clarity.
3. **Key Systems Assembly:** Pay close attention to the assembly of critical mechanical systems:
 - **Engine Intake Linkage System:** Assemble the components that simulate air intake.
 - **Piston Movement:** Carefully construct the piston and crankshaft assembly to ensure smooth, precise movement.
 - **Turbocharging System:** Build the detailed turbocharger components.
 - **Multi-Gear Chain Linkage System:** Assemble the gears and chain that drive various parts of the engine.
4. **Motor and Battery Box Integration:** Integrate the L Motor and Battery Box into the model as instructed. Ensure all connections are secure.
5. **Testing During Assembly:** Periodically test moving parts for smooth operation as you build, especially after completing major sub-assemblies.



Image 4.1: An adult and child engaged in the assembly of the V8 engine model, demonstrating the hands-on building experience.

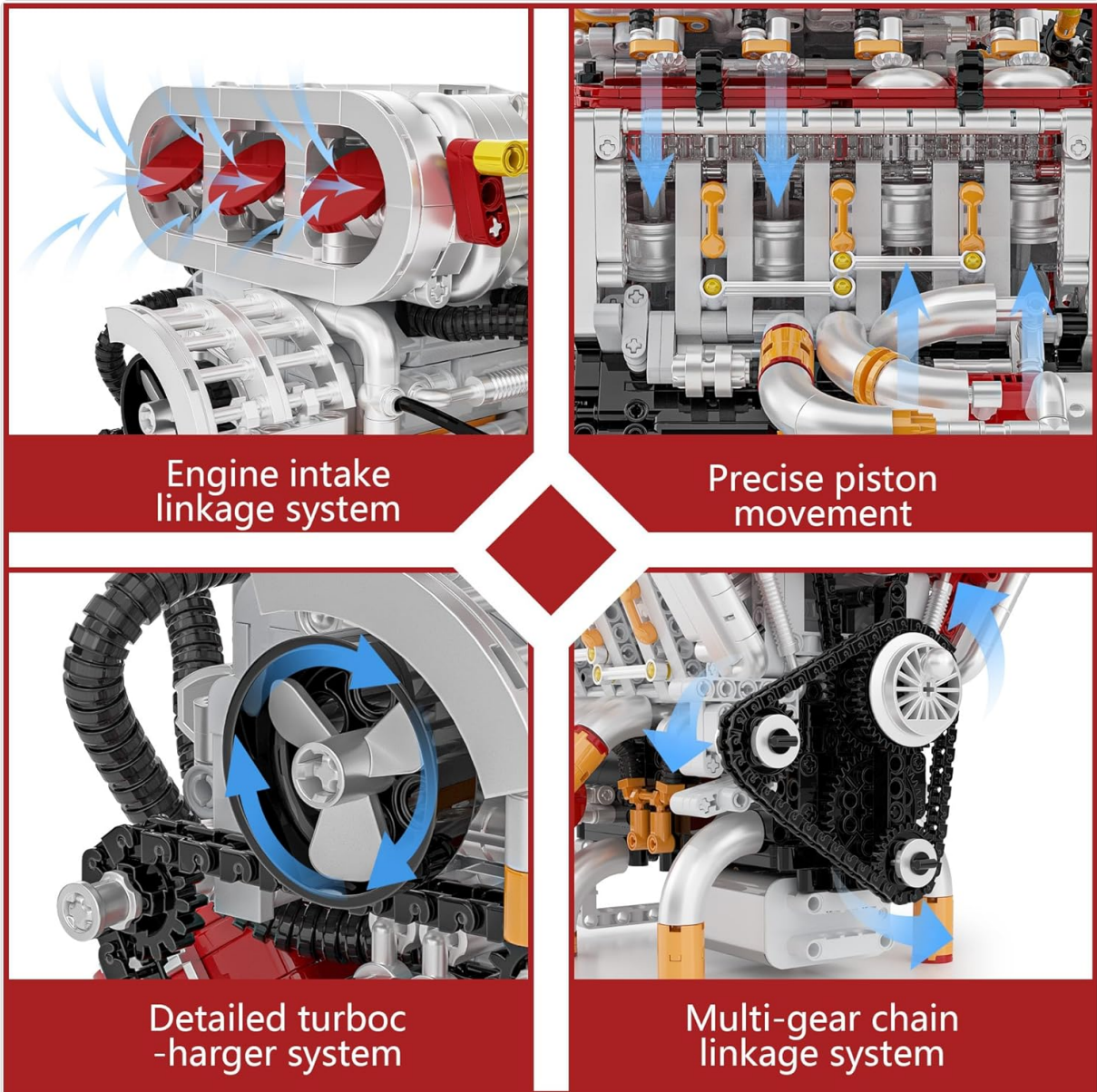


Image 4.2: Visual representation of the engine's internal mechanisms, including the intake linkage, piston movement, turbocharger, and multi-gear chain linkage system.

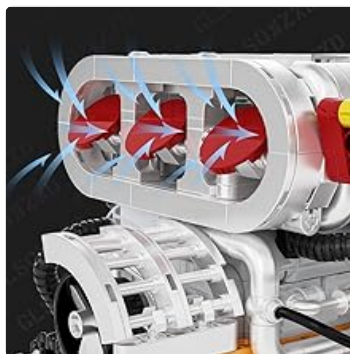


Image 4.3: Detailed view of the engine intake linkage system.

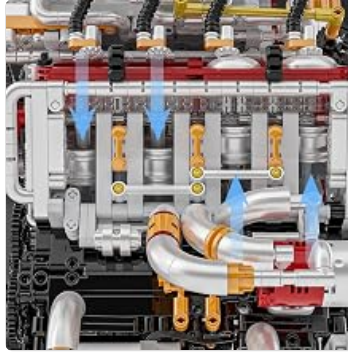


Image 4.4: Detailed view of the precise piston movement.

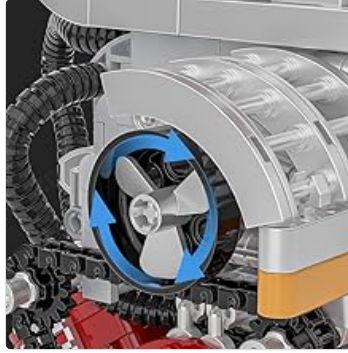


Image 4.5: Detailed view of the turbocharger system.



Image 4.6: Detailed view of the multi-gear chain linkage system.

5. OPERATING INSTRUCTIONS

Once fully assembled, your GLSQWZXD V8 Engine Model can be brought to life:

1. **Install Batteries:** Open the battery compartment on the Battery Box. Insert 6x AA batteries, ensuring correct polarity. Close the compartment securely.
2. **Connect Power:** Ensure the L Motor is correctly connected to the Battery Box as per the assembly instructions.
3. **Power On:** Locate the power switch on the Battery Box. Flip the switch to the "ON" position. The motor will activate, and the engine's internal components (pistons, crankshaft, gears) will begin to move, simulating a running V8 engine.
4. **Power Off:** To stop the engine, flip the power switch on the Battery Box to the "OFF" position.

Your browser does not support the video tag.

Video 5.1: A demonstration of the GLSQWZXD V8 Engine Model Kit in operation, showcasing its dynamic mechanical movements. This video illustrates the realistic simulation of piston linkage, turbocharging, and exhaust systems.

6. MAINTENANCE

To ensure the longevity and optimal performance of your V8 Engine Model Kit, follow these maintenance guidelines:

- **Cleaning:** Dust the model regularly with a soft, dry cloth. Avoid using harsh chemicals or abrasive cleaners.
- **Storage:** Store the model in a cool, dry place away from direct sunlight and extreme temperatures.
- **Battery Removal:** If the model will not be used for an extended period, remove the batteries from the Battery Box to prevent leakage and corrosion.
- **Inspection:** Periodically inspect all connections and moving parts for any signs of wear or looseness. Tighten or reassemble as necessary.

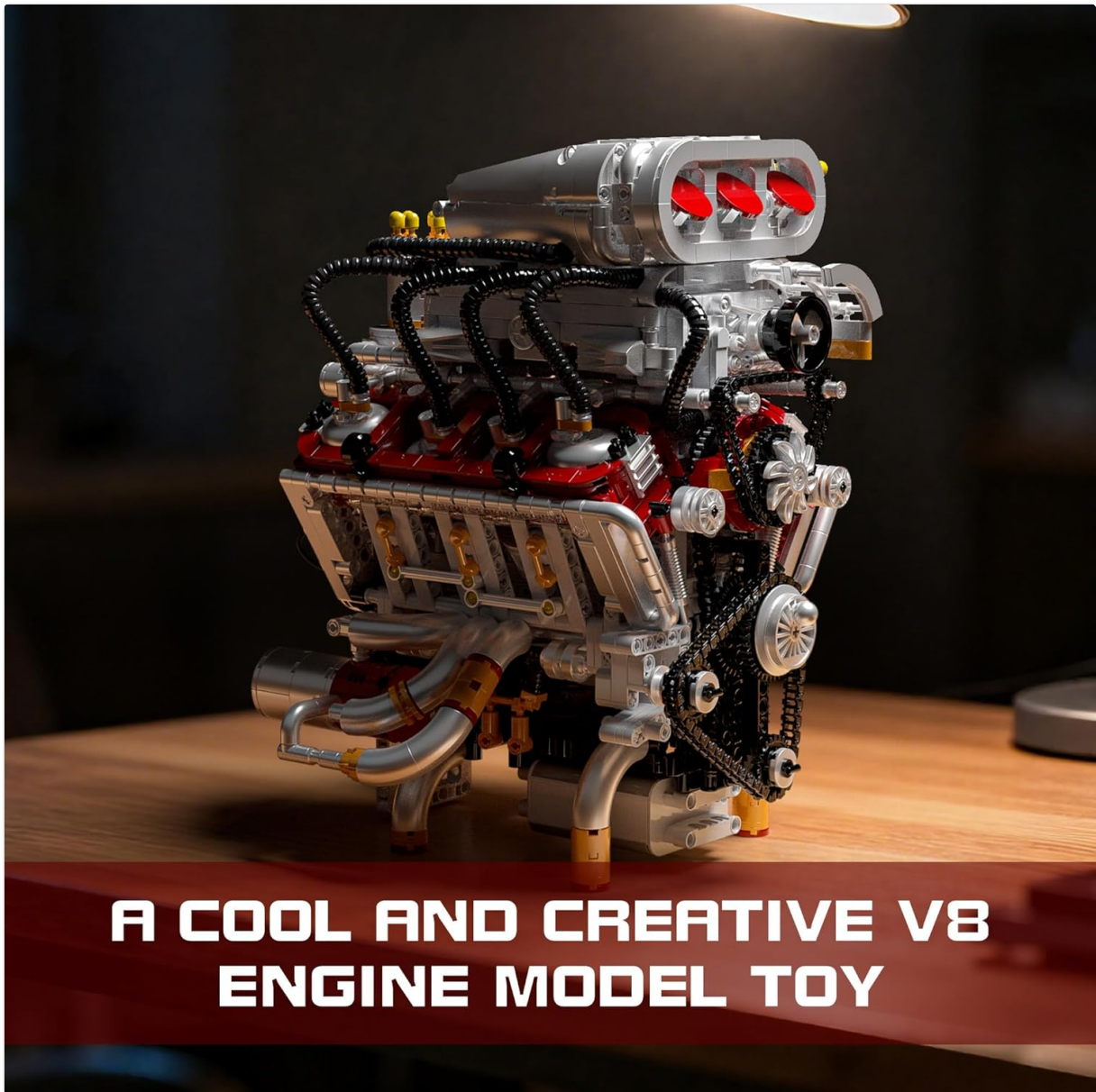
7. TROUBLESHOOTING

Problem	Possible Cause	Solution
Engine does not run when powered on.	<ul style="list-style-type: none">• Batteries are dead or incorrectly installed.• Power switch is off.• Motor or battery box connection is loose.• Internal gears or linkages are jammed.	<ul style="list-style-type: none">• Replace batteries with fresh 6x AA batteries, ensuring correct polarity.• Ensure the power switch is in the "ON" position.• Check all connections between the motor and battery box.• Inspect moving parts for obstructions or incorrect assembly. Refer to the assembly manual.
Parts are loose or fall off.	<ul style="list-style-type: none">• Incorrect assembly.• Parts not fully pressed together.	<ul style="list-style-type: none">• Refer to the assembly manual and re-examine the specific section.• Ensure all building blocks are firmly connected.
Engine runs slowly or inconsistently.	<ul style="list-style-type: none">• Low battery power.• Friction in moving parts due to tight assembly or misalignment.	<ul style="list-style-type: none">• Replace batteries.• Carefully inspect moving parts for any binding or excessive friction. Ensure all parts move freely.

8. SPECIFICATIONS

- **Brand:** GLSQWZXD
- **Model Number:** Y15001
- **Number of Pieces:** 2347
- **Material:** ABS Plastic
- **Recommended Age:** 8-14+ years (Manufacturer Minimum Age: 96 months, Manufacturer Maximum Age: 168 months)
- **Educational Objective:** Engineering Skills, Logical Thinking, Problem Solving Skills, STEM
- **Power Source:** Battery Operated
- **Batteries Required:** 6x AA batteries (not included)
- **Color:** Red, Blue, Yellow, Green (various components)
- **Dimensions (Approximate Assembled):** 11.9 inches (Height) x 10.3 inches (Width) x 8.7 inches

(Depth)



A COOL AND CREATIVE V8 ENGINE MODEL TOY

Image 8.1: The fully assembled GLSQWZXD V8 Engine Model Kit, showcasing its intricate design.

9. WARRANTY AND SUPPORT

For any questions, missing parts, or support needs regarding your GLSQWZXD V8 Engine Model Kit, please refer to the contact information provided with your purchase or visit the official GLSQWZXD website. Please retain your proof of purchase for warranty claims, if applicable.