

[Manuals.plus](#) /

› [Whirlpool](#) /

› Whirlpool WOI78PT1SBA 73L Built-in Oven Instruction Manual

Whirlpool WOI78PT1SBA

Whirlpool WOI78PT1SBA 73L Built-in Oven Instruction Manual

Model: WOI78PT1SBA

1. INTRODUCTION AND OVERVIEW

Thank you for choosing the Whirlpool WOI78PT1SBA 73L Built-in Oven. This manual provides essential information for the safe and efficient use of your new appliance. Please read it thoroughly before installation, operation, or maintenance.

This electric oven features advanced technology for energy-efficient cooking. Key features include:

- **6th Sense Technology:** Automatically adjusts temperature and cooking times for perfect results with pre-programmed recipes.
- **Ready2Cook Function:** Utilizes a powerful convection system to quickly reach the correct temperature, eliminating the need for preheating.
- **Hydrolytic and Pyrolytic Cleaning:** Offers two convenient self-cleaning options for easy maintenance.
- **Soft-Closing Door:** Ensures comfortable and quiet operation.

For additional support and product registration, please visit the official [Whirlpool Store](#).

2. SETUP AND INSTALLATION

Proper installation is crucial for the safe and optimal performance of your oven. It is highly recommended that installation be performed by a qualified technician.

2.1 Unpacking

Carefully remove the oven from its packaging. Inspect for any damage during transit. Keep packaging materials away from children.

2.2 Placement and Ventilation

Ensure the installation cabinet meets the required dimensions and provides adequate ventilation. The oven requires sufficient airflow for proper operation and cooling.



Image: The Whirlpool WOI78PT1SBA oven seamlessly integrated into a modern kitchen cabinet, showcasing its sleek black design.

2.3 Electrical Connection

The oven must be connected to a properly grounded electrical outlet in accordance with local electrical codes. Do not use extension cords or adapters.

2.4 Installation Dimensions

Refer to the diagram below for precise installation measurements and clearances required for your built-in oven.

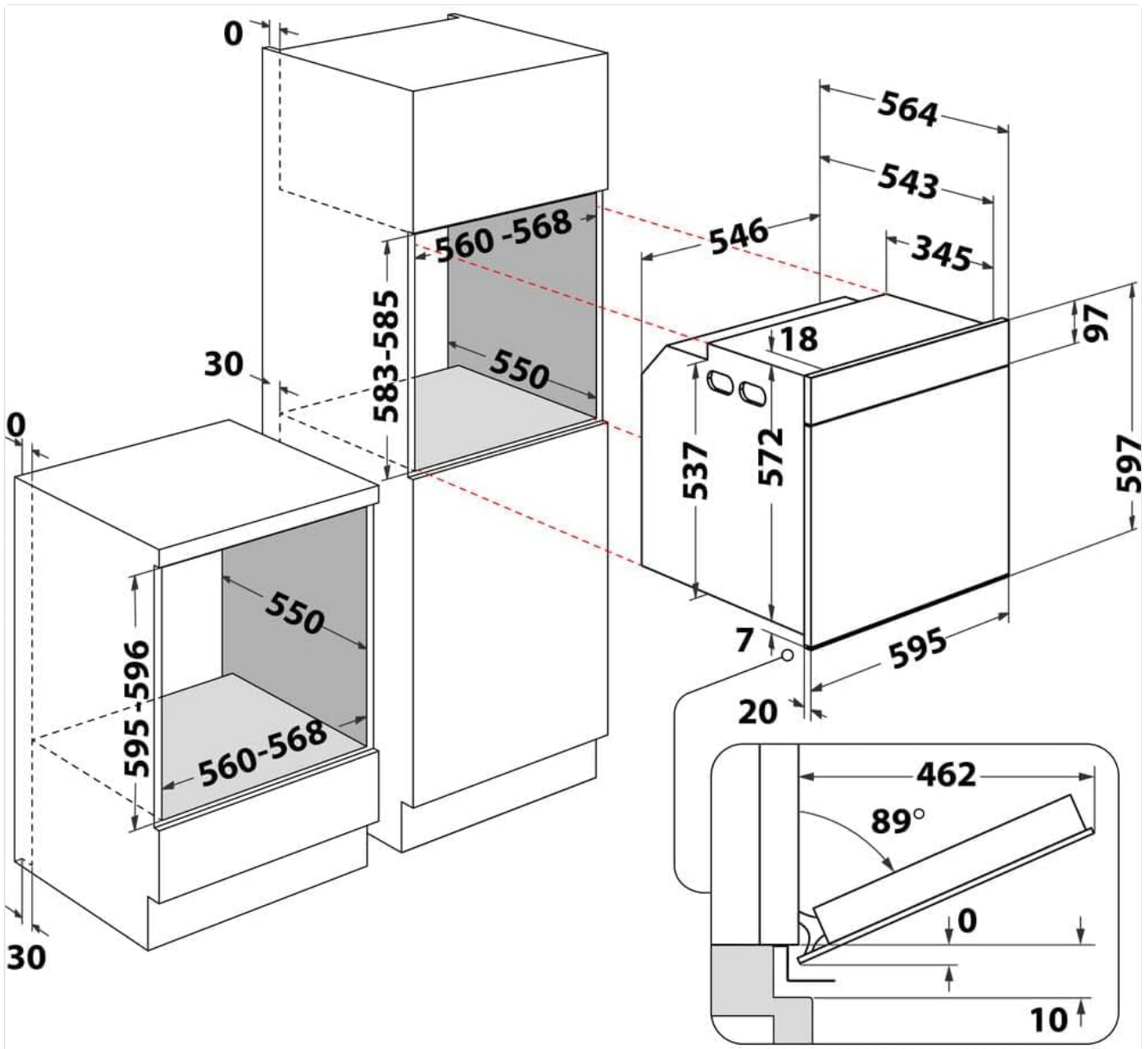


Image: Technical diagram illustrating the precise dimensions and clearances required for installing the Whirlpool WOI78PT1SBA built-in oven into a kitchen cabinet.

2.5 First Use

Before using the oven for the first time, clean the interior with a damp cloth. It is normal for a slight odor to be present during the first few uses; this will dissipate.

3. OPERATING INSTRUCTIONS

Your Whirlpool WOI78PT1SBA oven features an intuitive touch control panel for easy operation.



Image: A detailed view of the Whirlpool WOI78PT1SBA oven's touch control panel, displaying various function icons and the digital clock.

3.1 Control Panel Overview

The touch display allows you to select cooking functions, set temperatures, adjust cooking times, and access special features. Refer to the icons on the panel for specific functions.

3.2 Basic Cooking Functions

- **Conventional Cooking:** Ideal for traditional baking and roasting.
- **Convection Cooking:** Uses a fan to circulate hot air, ensuring even cooking and faster results.
- **Grill:** Perfect for browning and toasting.
- **Roast Function:** Optimized for roasting meats and poultry.

3.3 Special Functions

- **6th Sense Technology:** Select from a variety of pre-programmed recipes. The oven will automatically manage temperature and time.

- **Ready2Cook:** Activates a powerful convection system to quickly reach the desired temperature without preheating.
- **Defrost Function:** Gently thaws frozen food.
- **Keep Warm Function:** Maintains food at serving temperature.
- **Pizza Function:** Specifically designed for baking pizzas with a crispy crust.
- **ECO Mode:** Optimizes energy consumption during cooking.

3.4 Setting Temperature and Time

1. Turn on the oven using the power button.
2. Select your desired cooking function from the touch panel.
3. Adjust the temperature using the '+' and '-' buttons.
4. Set the cooking time if required, or use the timer function.
5. Press the start button (often indicated by a checkmark or play icon) to begin cooking.



Image: The interior of the Whirlpool WOI78PT1SBA oven, showing multiple rack positions, a wire rack, and two baking trays.

4. MAINTENANCE AND CLEANING

Regular cleaning and maintenance will ensure the longevity and efficiency of your oven.

4.1 General Cleaning

- Always ensure the oven is cool before cleaning.
- Use a soft cloth and mild detergent for the exterior surfaces and control panel. Avoid abrasive cleaners.
- For the interior, wipe spills immediately after the oven cools to prevent them from baking on.
- Removable racks and trays can be washed by hand or in a dishwasher.

4.2 Self-Cleaning Functions

Your oven is equipped with two self-cleaning methods:

- **Hydrolytic Cleaning:** Uses steam to loosen food residues. Pour water into the oven cavity, select the hydrolytic cleaning function, and wipe away softened grime after the cycle.
- **Pyrolytic Cleaning:** Heats the oven to a very high temperature, turning food residues into ash. This ash can then be easily wiped away once the oven has cooled. Remove all accessories (racks, trays) before starting a pyrolytic cycle.



Image: The Whirlpool WOI78PT1SBA oven with its door fully open, revealing the spacious interior and multiple rack levels, ready for cleaning or use.

5. TROUBLESHOOTING

Before contacting customer service, please refer to the following common issues and solutions:

Problem	Possible Cause	Solution
Oven does not turn on	No power supply; door not closed properly.	Check power connection and circuit breaker. Ensure the oven door is fully closed.
Oven not heating	Incorrect function/temperature selected; oven in demo mode.	Verify cooking settings. Consult the full manual for exiting demo mode.
Display shows an error code	System malfunction.	Note the error code and consult the full user manual or contact customer support.
Excessive smoke during cooking	Food spills or grease buildup.	Clean the oven interior thoroughly. Reduce cooking temperature if necessary.

If the problem persists after attempting these solutions, please contact Whirlpool Customer Support.

6. TECHNICAL SPECIFICATIONS

Below are the key technical specifications for the Whirlpool WOI78PT1SBA oven:

Specification	Value
Model Name	WOI78PT1SBA
Oven Type	Electric, Built-in
Total Oven Capacity	73 Liters
Control Type	Touch Display
Cleaning Type	Hydrolytic + Pyrolytic
Heating Method	Convection
Special Features	6th Sense, Ready2Cook
Door Opening Direction	Drop-down
Product Weight	40.7 Kilograms
Color	Black

7. WARRANTY INFORMATION

Your Whirlpool WOI78PT1SBA oven comes with a manufacturer's warranty:

- **Private Users:** 2 years

- **Businesses:** 1 year

This warranty covers manufacturing defects and faulty materials under normal use. Please retain your proof of purchase for warranty claims. For full terms and conditions, refer to the warranty card included with your product or visit the official Whirlpool website.

8. CUSTOMER SUPPORT

For further assistance, technical support, or to schedule a service appointment, please contact Whirlpool Customer Service.

- Visit the official [Whirlpool website](#) for contact details specific to your region.
- Have your model number (WOI78PT1SBA) and serial number ready when contacting support.