



Manuals.plus /

› CollaredEagle /

› CollaredEagle Vanity Desk with Mirror and 11 Lights (Model VD004-WH-GLS-GM) User Manual

CollaredEagle VD004-WH-GLS-GM

CollaredEagle Vanity Desk with Mirror and 11 Lights

Model: VD004-WH-GLS-GM

INTRODUCTION

Thank you for choosing the CollaredEagle Vanity Desk. This manual provides essential information for the safe assembly, operation, and maintenance of your new vanity desk. Please read these instructions carefully before use and retain them for future reference.

SAFETY INFORMATION

WARNING: Electrical Shock Hazard. Read all safety warnings and instructions.

- Assembly may require tools and safety precautions. Always unplug the product before assembly, usage, or cleaning.
- Keep electrical components dry and away from heat sources.
- Do not exceed the weight limit of the vanity table.
- Always follow the manufacturer's instructions for safe use and maintenance.
- Ensure all connections are secure before plugging into a power source.
- Do not attempt to modify or repair the electrical components yourself. Contact qualified personnel for service.

PACKAGE CONTENTS

Please verify that all components are present before beginning assembly. If any parts are missing or damaged, contact customer support.

- Vanity Desk Frame Components
- Mirror with 11 LED Bulbs

- 11 Drawers
- Cushioned Stool
- Power Outlet Unit (pre-installed or separate)
- RGB LED Light Strips (pre-installed or separate)
- Assembly Hardware (screws, dowels, cam locks, etc.)
- Assembly Tools (e.g., Allen wrench, screwdriver)
- Instruction Manual

SETUP AND ASSEMBLY

Assembly is required for this vanity desk. It is recommended to have two people for assembly. Clear a spacious area and lay out all components before starting.

1. **Unpack and Identify Parts:** Carefully remove all items from the packaging. Refer to the parts list in your separate assembly guide to identify each component.
2. **Assemble the Main Desk Frame:** Follow the step-by-step diagrams in the assembly guide to construct the base frame of the vanity desk. Ensure all connections are tightened securely.
3. **Install Drawers:** Insert the 11 drawers into their designated slots. Ensure they slide smoothly.
4. **Attach the Mirror:** Securely attach the mirror unit to the back of the vanity desk using the provided hardware. Ensure it is stable and level.
5. **Connect Electrical Components:** If not pre-installed, connect the LED bulbs to the mirror and the RGB light strips to the drawers according to the electrical wiring diagrams. Plug the power outlet unit into a wall socket.
6. **Assemble the Stool:** Assemble the cushioned stool following its specific instructions.

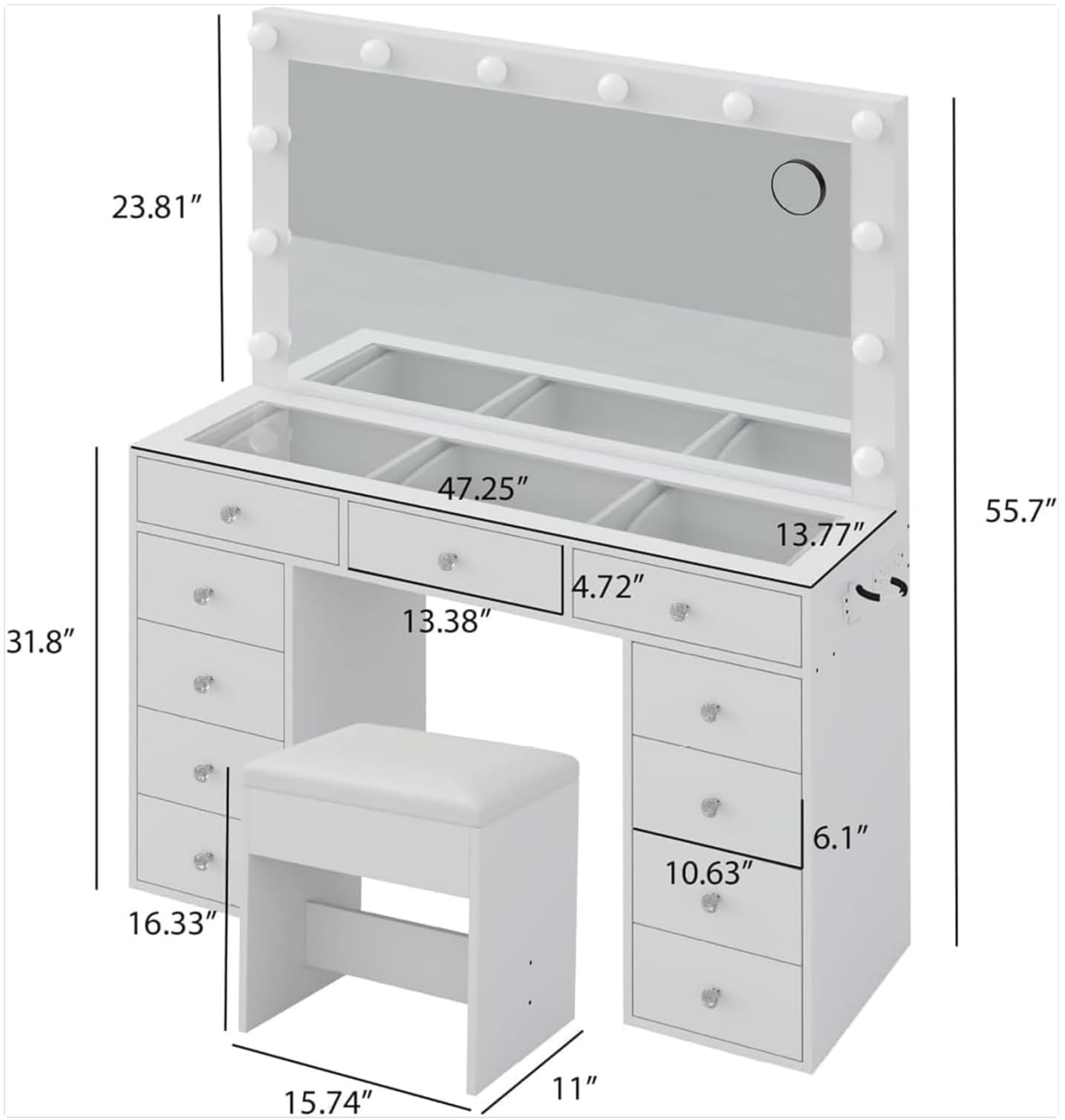


Figure 1: Product Dimensions. This diagram illustrates the overall dimensions of the vanity desk and the accompanying stool, including height, width, and depth measurements for various sections.



Figure 2: Fully Assembled Vanity Desk. This image shows the complete vanity desk with its mirror, 11 lights, and cushioned stool, positioned in a bedroom setting.

OPERATING INSTRUCTIONS

Mirror Lighting Modes

The vanity mirror features 11 Hollywood-style LED bulbs with three adjustable lighting modes:

- **Cold Light:** Bright, white light suitable for detailed makeup application.
- **Natural Light:** A balanced, daylight-like illumination for everyday use.
- **Warm Light:** Softer, yellowish light for evening makeup or a relaxed ambiance.

To change lighting modes, press the touch switch located on the mirror. To adjust brightness, long-press the touch switch until the desired brightness level is achieved.



Figure 3: Three Color Lighting Modes. This image demonstrates the different light temperatures available (Cold White, Warm White, Warm Yellow) and indicates the brightness adjustment feature.

RGB Drawer Lighting

The transparent tabletop allows visibility into the drawers, which are equipped with built-in RGB LED lights. These lights offer multiple color modes to enhance the aesthetic or help organize items. Refer to the separate RGB light controller instructions for details on changing colors and effects. Typically, a remote control or a button on the unit will allow you to cycle through colors and adjust settings.

Built-in Power Outlet

The vanity desk includes a built-in charging station with 2 standard AC plug sockets, 1 USB port, and 1 Type-C port. This allows you to power or charge electronic devices directly from the desk.

- **AC Outlets:** 125V / 12A (for hair dryers, curling irons, etc.)
- **USB Port:** 5V / 2A (for charging smartphones, tablets, etc.)
- **Type-C Port:** For compatible devices.

Ensure devices are compatible with the provided power specifications before plugging them in. Do not overload the power strip.

Built-in Power Strip

Convenient for phone charging & hair dryer use



Figure 4: Built-in Power Strip. This image highlights the integrated power outlets and USB/Type-C ports, along with a convenient holder for a hair dryer.

Storage Capacity

The vanity desk features 11 drawers for organized storage:

- **3 Main Drawers:** Located under the transparent tabletop, ideal for hair accessories, jewelry, and frequently used cosmetics. The glass top allows for easy viewing.
- **8 Deep Drawers:** Provide ample space for skincare products, larger cosmetics, office supplies, or other personal items.



Figure 5: Large Storage Capacity. This image displays the vanity desk with several drawers pulled open, illustrating the extensive storage space available for various items, alongside the cushioned stool.

MAINTENANCE

- **Cleaning:** Wipe surfaces with a soft, damp cloth. Avoid harsh chemicals or abrasive cleaners that may damage the finish or electrical components.
- **Mirror Care:** Use a glass cleaner specifically designed for mirrors. Do not spray cleaner directly onto the mirror; apply it to a cloth first.
- **Electrical Components:** Ensure all electrical connections remain dry. If any part of the electrical system becomes wet, unplug immediately and allow to dry completely before re-use.
- **Drawer Slides:** Periodically check drawer slides for smooth operation. If needed, clean any dust or debris.
- **Stool Cushion:** Spot clean the PU fabric cushion with a mild soap and water solution.

TROUBLESHOOTING

Lights not turning on:

Check if the power cord is securely plugged into a working wall outlet. Ensure the mirror's touch switch is being pressed correctly. Verify that all bulb connections are secure.

RGB drawer lights not working:

Ensure the RGB light strips are properly connected to their power source and controller. Check the remote control battery if applicable.

Power outlets not providing power:

Confirm the vanity desk's main power cord is plugged in. Test the wall outlet with another device. Avoid overloading the power strip.

Drawers are stiff or difficult to open/close:

Check for any obstructions in the drawer slides. Ensure the desk is on a level surface. Clean the drawer slides if necessary.

SPECIFICATIONS

Feature	Specification
Model Number	VD004-WH-GLS-GM
Product Dimensions	31.49"D x 31.49"W x 53.1"H
Item Weight	100 pounds
Frame Material	Engineered Wood
Mirror Lighting	11 LED Bulbs, 3 Color Modes (Cold, Natural, Warm), Adjustable Brightness
Drawer Lighting	RGB LED Light Strips
Power Outlet	2 AC Outlets (125V/12A), 1 USB Port (5V/2A), 1 Type-C Port
Assembly Required	Yes

PRODUCT VIDEOS

Vanity Desk Overview

Your browser does not support the video tag.

This video provides a general overview of the CollaredEagle Vanity Desk, showcasing its features and design. (Duration: 0:56)

Feature Demonstration

Your browser does not support the video tag.

Watch this video for a demonstration of key features, including the lighting modes and storage options. (Duration: 0:51)

WARRANTY AND SUPPORT

CollaredEagle products are designed for quality and durability. For specific warranty information, please refer to the warranty card included with your purchase or visit the official CollaredEagle website. For technical support, missing parts, or any inquiries, please contact CollaredEagle customer service through the contact information provided in your purchase documentation.

