



[Manuals.plus](#) /

- › [EKON KITCHEN EXPERT](#) /
- › EKON 30-inch Built-in Range Hood NAB01-30BGN Instruction Manual

## **EKON KITCHEN EXPERT NAB01-30BGN**

# **EKON 30-inch Built-in Range Hood Instruction Manual**

**MODEL: NAB01-30BGN**

## **1. Introduction**

---

This manual provides essential information for the installation, operation, and maintenance of your EKON 30-inch Built-in/Insert Range Hood (Model: NAB01-30BGN). This appliance is designed to efficiently remove smoke, steam, and cooking odors from your kitchen environment. Please read this manual thoroughly before installation and use to ensure safe and optimal performance.



Image 1.1: EKON 30-inch Built-in Range Hood (Model: NAB01-30BGN)

## 2. Safety Information

**IMPORTANT: Read all instructions before using this appliance.**

- This range hood is suitable for use in household cooking areas only. It is intended for residential indoor use.
- Do not install the range hood closer than 25 inches (63.5 cm) above the cooking surface. Refer to local building codes for specific clearance requirements.
- Ensure the range hood is properly grounded. All electrical wiring must comply with applicable national and local electrical codes. Installation should be performed by a qualified electrician.
- Switch off power at the service panel and lock the service panel to prevent power from being switched on accidentally during installation or maintenance.
- To reduce the risk of fire, use only metal ductwork.
- Never operate the fan with damaged cords or plugs.
- Clean grease filters frequently. Grease accumulated on filters or surfaces can be a fire hazard.
- In the event of a grease fire, never turn on the fan or use water. Smother flames with a baking soda extinguisher or by covering with a metal lid or fire blanket.

## 3. Package Contents

The following items are included in your package:

- EKON 30-inch Built-in/Insert Range Hood (Model: NAB01-30BGN)

- Remote control
- Air outlet
- 6-inch diameter by 78.7-inch length flexible aluminum duct vent hose
- Installation parts and screws
- User Manual

## 4. Specifications

Feature	Specification
Model Number	NAB01-30BGN
Air Flow Capacity	900 Cubic Feet Per Minute (CFM)
Material	Stainless Steel, Tempered Glass
Noise Level	Less than 65 Decibels (dB) at high speed
Mounting Type	Built-In Mount (Insert)
Controls Type	Touch, Remote, Gesture Sensing
Voltage	120 Millivolts
Number of Speeds	4
Item Weight	33 Pounds
Product Dimensions	13.65"D x 27.75"W x 11.77"H
Light Source Type	LED (2 Pcs 3W, adjustable brightness)
Filter Type	Baffle, Mesh (Aluminum mesh washable baffle filters)
Ventilation Type	Ducted/Ductless Convertible
Special Features	1-15min adjustable timer, Remote Control, Gesture Sensing



Image 4.1: Product Dimensions

## 5. Setup and Installation

The EKON range hood can be installed in either ducted or ductless (recirculation) mode. For detailed installation instructions, including rough-in dimensions and electrical requirements, please refer to the comprehensive User Manual included in your package.

### 5.1 Ducted vs. Ductless Installation

For ducted operation, the range hood vents air outside your home through a 6-inch diameter duct. For ductless (recirculation) operation, charcoal filters (included) are installed to purify the air before recirculating it back into the kitchen. Note that in recirculation mode, the noise level may be slightly higher, and airflow may be less.

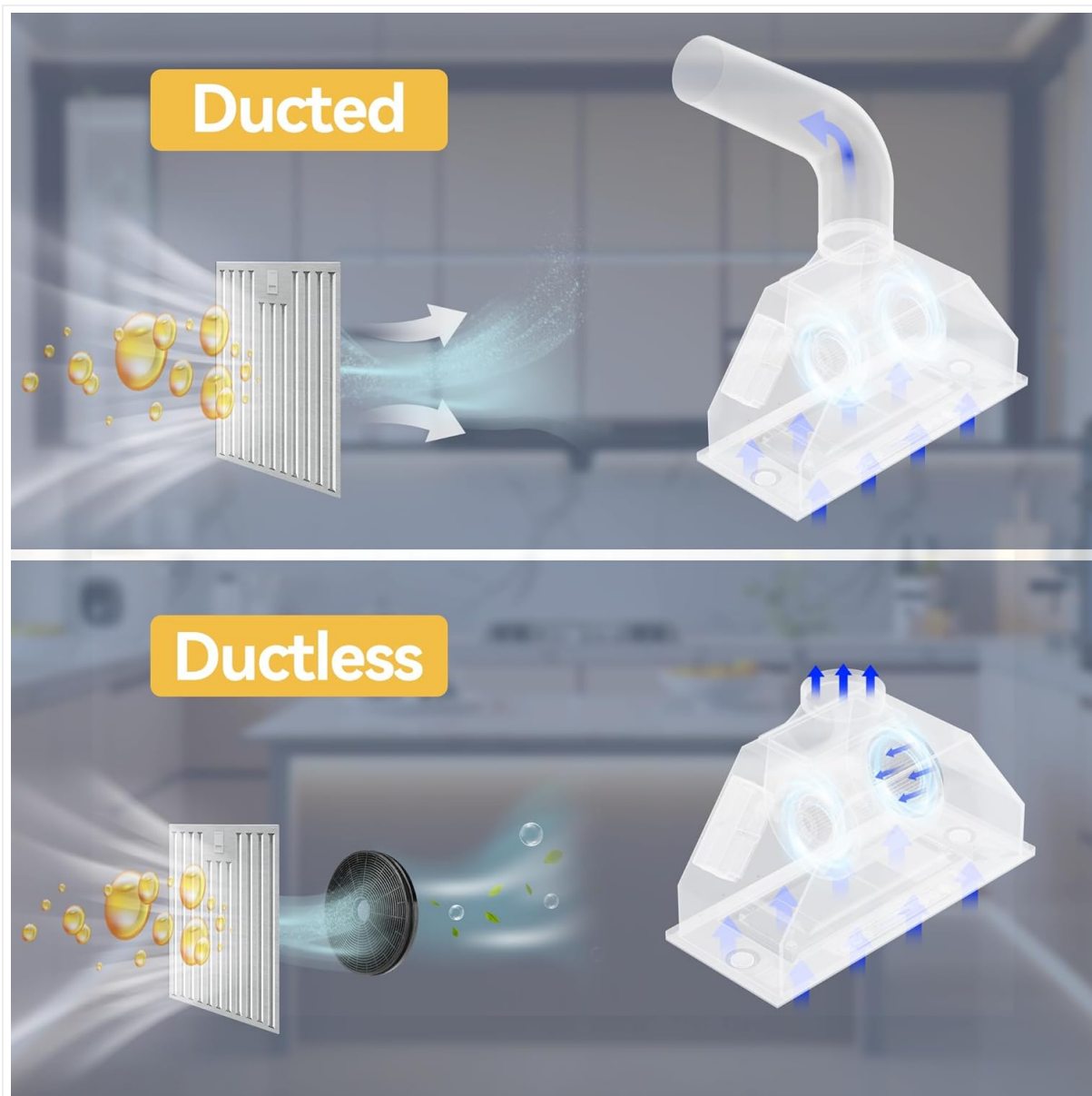


Image 5.1: Ducted vs. Ductless Ventilation

## 5.2 Pre-Installation Checks

- Verify all components listed in the Package Contents section are present and undamaged.
- Ensure the installation area meets the specified clearance requirements (minimum 25 inches above cooking surface).
- Confirm electrical supply is 120 Millivolts and properly grounded.
- Remove all protective film from the unit before final installation.

## 6. Operating Instructions

Your EKON range hood features a user-friendly touch control panel, a remote control, and gesture sensing for convenient operation.

### 6.1 Control Panel Functions

- **Power Button:** Turns the range hood on/off.
- **Fan Speed Control:** Adjusts between 4 fan speeds (low, medium, high, turbo) to suit your cooking needs.

- **Light Button:** Turns the 3W LED lights on/off. Press and hold for 3 seconds to adjust light brightness.
- **Timer Function:** Sets an automatic shut-off timer for 1-15 minutes.

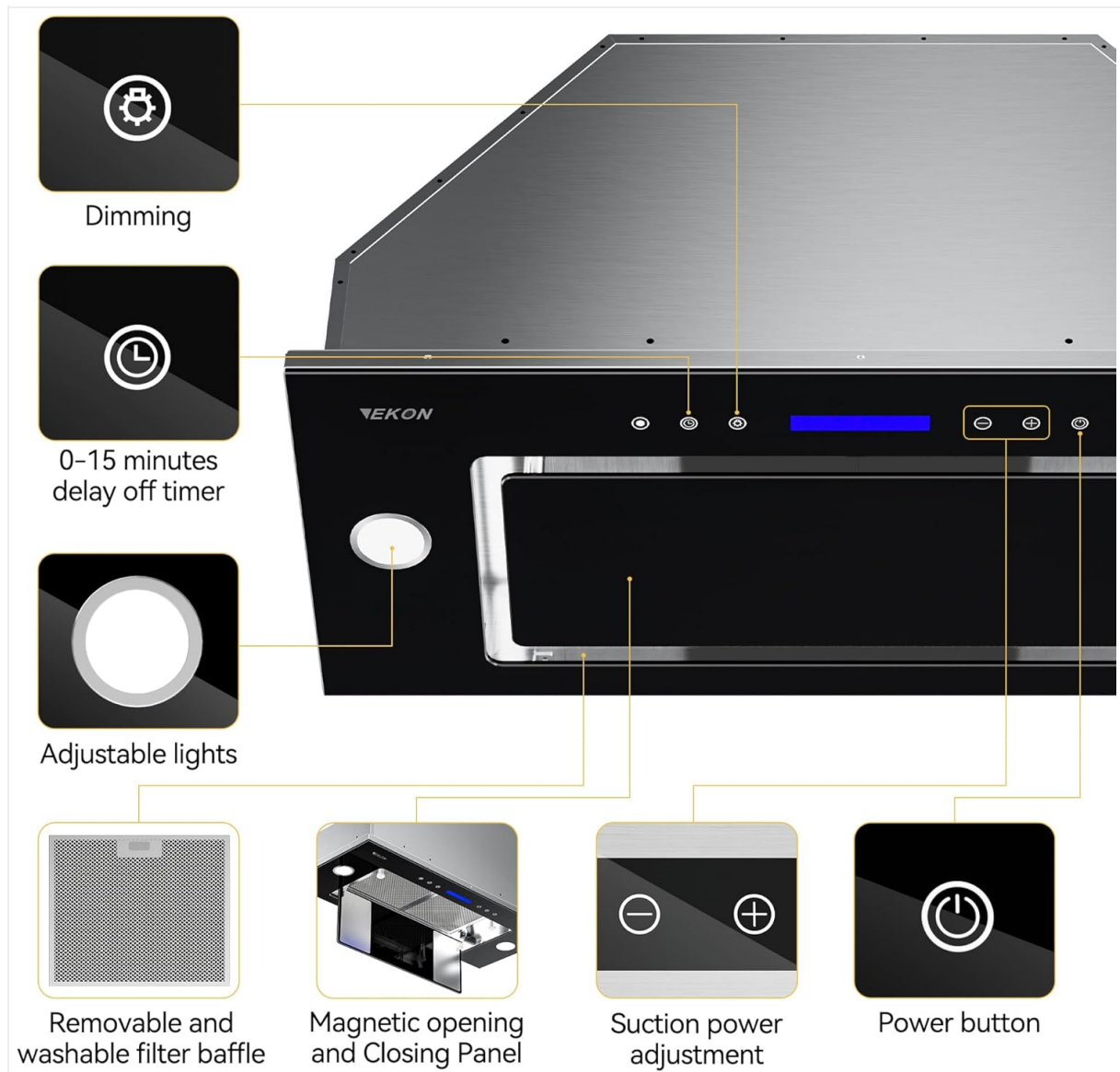


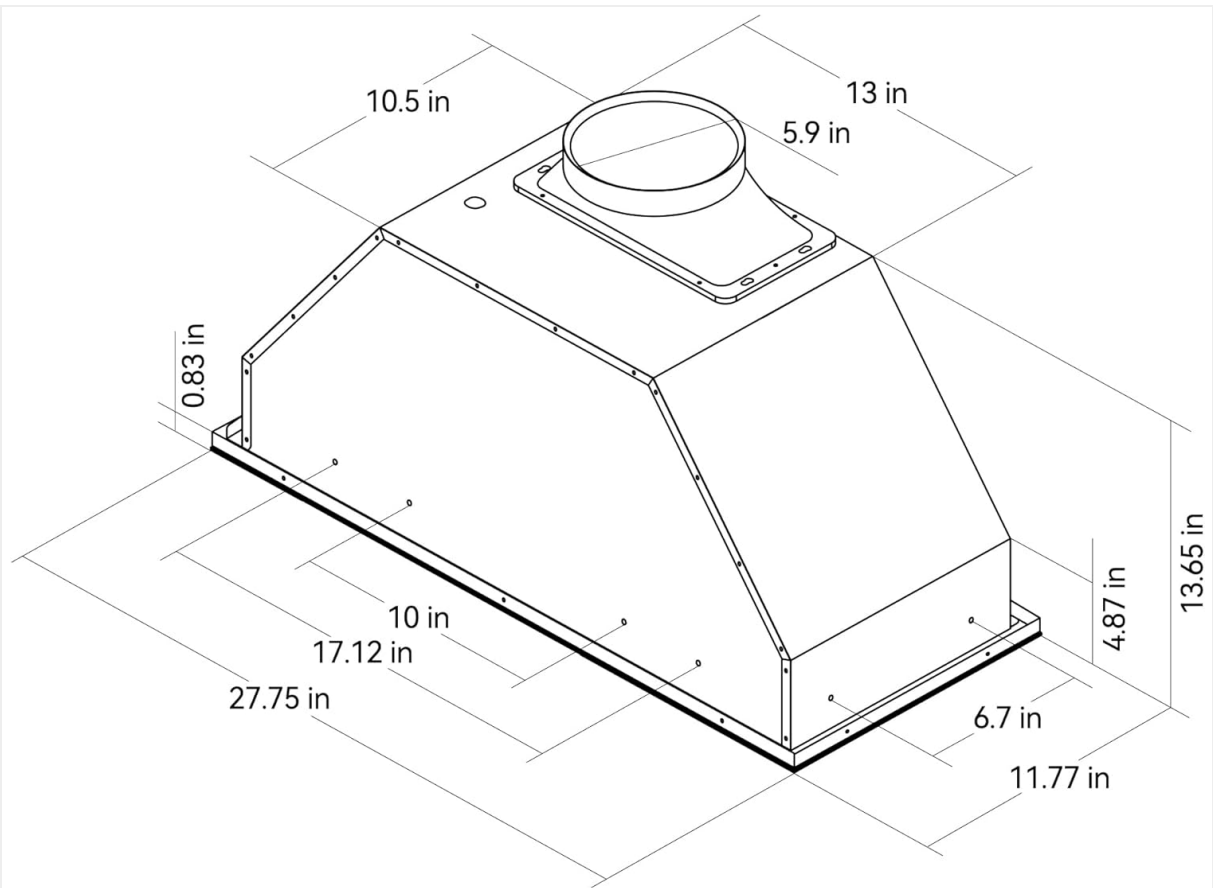
Image 6.1: Control Panel Features

## 6.2 Gesture Sensing Control

Wave your hand across the designated sensing points on the panel to turn the fan on/off and adjust fan speeds without touching the controls. Swipe left to decrease speed, swipe right to increase speed.

## 6.3 Remote Control

The included remote control provides an alternative method to operate all functions of the range hood, including power, fan speed, lights, and timer settings.



# NAB01-30in

Image 6.2: Powerful Airflow and Motor



Image 6.3: Ultra Quiet Operation

## 7. Maintenance

Regular maintenance ensures the longevity and optimal performance of your range hood.

### 7.1 Cleaning Grease Filters

- The aluminum mesh baffle filters are washable and dishwasher-safe.
- Remove filters by releasing the magnetic opening baffle and then detaching the filters.
- Clean filters regularly (e.g., monthly) to prevent grease buildup, which can reduce efficiency and pose a fire hazard.

### 7.2 General Cleaning

- Wipe the exterior surfaces, especially the tempered glass panel, with a soft cloth and mild detergent. Avoid abrasive cleaners.
- Ensure the unit is completely dry before operating.

### 7.3 Light Replacement

The range hood uses 3W LED lights. For replacement instructions, please refer to the detailed User

Manual or contact customer support.

## 8. Troubleshooting

---

If you encounter any issues with your EKON range hood, please refer to the troubleshooting section in the comprehensive User Manual. Common issues and their solutions are typically detailed there. For persistent problems, contact customer support.

## 9. Warranty and Support

---

EKON KITCHEN EXPERT specializes in range hood solutions and offers comprehensive support for its products.

- **Motor Warranty:** 10 years technical support on the motor.
- **Accessories Warranty:** 5 years technical support on accessories.

For any technical assistance, warranty claims, or replacement parts, please contact EKON KITCHEN EXPERT customer service. Refer to the User Manual for contact details.