

Generic

User Manual: PEMF Therapy Device for Equine Wellness

Model: Generic | Brand: Generic

1. INTRODUCTION

This manual provides comprehensive instructions for the safe and effective operation of the Generic PEMF Therapy Device, designed for equine wellness and performance enhancement. Pulsed Electromagnetic Field (PEMF) therapy is a non-invasive method that utilizes electromagnetic fields to promote cellular function, aid in recovery, and alleviate discomfort in horses. This device is engineered to deliver a field strength of 1000-6000 Gauss, supporting optimal recovery for horses in training, competition, or rehabilitation.

2. IMPORTANT SAFETY INFORMATION

WARNING: Read all instructions carefully before use. Failure to follow these instructions may result in injury or damage to the device.

- **Always** connect the loop handpiece to the machine before turning on the power.
- Adjust the magnetic strength to your horse's comfort level (0-9). Start with lower settings and gradually increase as tolerated.
- Choose a treatment time between 5 and 30 minutes.
- Each loop handpiece should not be used for more than 30 minutes continuously to prevent overheating. Allow the device to cool down between prolonged sessions.
- **Do not use** this device if you are pregnant or have any medical device implants (e.g., pacemakers, metal implants). Consult a physician before use if you have any pre-existing medical conditions.
- Keep the device away from water and moisture.
- Ensure the device is placed on a stable, flat surface during operation.
- Do not touch the loop connectors when the machine is running.
- Keep out of reach of children and pets.

3. PRODUCT OVERVIEW AND COMPONENTS

The PEMF Therapy Device is a portable unit housed in a durable case, designed for ease of transport and robust use in various environments.



Figure 3.1: Main unit with single and double loop attachments.

This image displays the main PEMF therapy unit, which is a black, rugged case with a control panel. Two types of loop attachments are shown: a large single loop and a smaller double loop, both with blue and white handles. The unit features a power switch, fuse, and connectors for the loops.

3.1 Main Unit Features





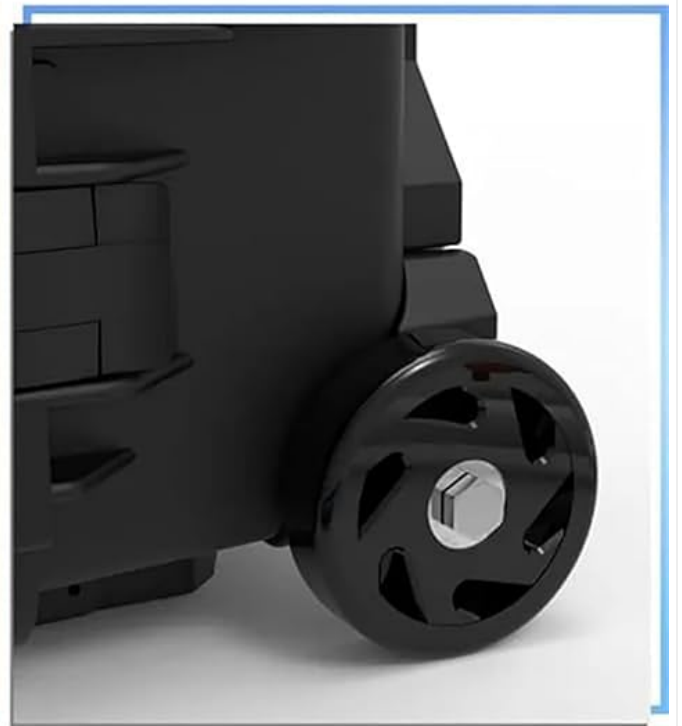
WITH DRAWBAR



SUPER SOLID, DURABLE CASE



IP RATING : IP 31



*GOOD QUALITY
WHEELS SUPPORT
ANY OUTDOOR
VENUE*

Figure 3.2: Detailed view of the control panel and portability features.

This image provides close-up views of the PEMF therapy device. It highlights the control panel with dials for Intensity, Frequency, and Time, along with power and fuse switches. It also shows the integrated drawbar handle and durable wheels, emphasizing the unit's portability and robust construction. The IP rating of IP31 is visible.

- **Control Panel:** Features dials for Intensity (0-9), Frequency, and Time (5-30 minutes).
- **Power Switch:** On/Off toggle.
- **Fuse:** Integrated for electrical protection.
- **Loop Connectors:** Dedicated ports for attaching therapy loops.
- **Durable Case:** Super solid, durable case with a drawbar handle and quality wheels for easy transport.

- **IP Rating:** IP31, indicating protection against solid objects over 2.5mm and dripping water.

3.2 Therapy Loops

INTERCHANGEABLE LOOP CONNECTOR



HOW TO USE?

The single loop can be placed over the back to treat the saddle fit problems. It can be placed over the head like a necklace so that it can treat cervical arthritis, etc.

TREATMENT GUIDE

Designed for the hard-to-reach joints, the Small doubling can be opened to use on both sides of the knees, and other extremities.



Figure 3.3: Interchangeable loop connectors and application guidance.

This image illustrates the two types of interchangeable loop connectors: a large single loop and a smaller double loop. It provides guidance on their use: the single loop for larger areas like the back or saddle fit problems, and the small double ring for hard-to-reach joints or extremities like knees.

- **Single Loop:** Ideal for larger areas such as the horse's back, saddle fit problems, or can be placed over the head like a necklace for cervical arthritis.

- **Small Double Ring (Butterfly Loop):** Designed for hard-to-reach joints and extremities. Can be opened to use on both sides of the knees, hocks, fetlocks, and other areas.

4. SETUP INSTRUCTIONS

1. **Unpack the Device:** Carefully remove the main unit and all accessories from the packaging.
2. **Position the Unit:** Place the main unit on a stable, flat, and dry surface, ensuring adequate ventilation around the device.
3. **Connect the Loop:** Select the appropriate therapy loop (single or double ring) for your intended treatment area. Insert the loop's connector firmly into the designated port on the main unit. Ensure a secure connection before proceeding.
4. **Power Connection:** Plug the power cord into a suitable electrical outlet.

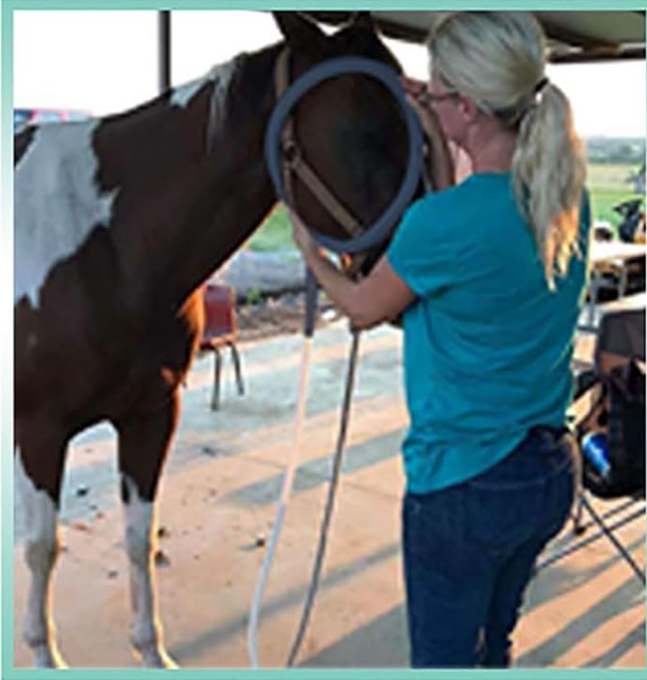
5. OPERATING INSTRUCTIONS

1. **Power On:** Flip the "POWER ON/OFF" switch to the "ON" position. The indicator lights on the control panel should illuminate.
2. **Set Intensity:** Use the "INTENSITY" dial to adjust the magnetic field strength. Start at a lower setting (e.g., 0-3) and gradually increase based on the horse's comfort and response. The range is 0-9.
3. **Set Frequency:** Use the "FREQUENCY" dial to select the desired pulse frequency. Refer to veterinary guidance or specific therapy protocols for optimal frequency settings.
4. **Set Time:** Use the "TIME" dial to set the treatment duration. Recommended treatment times range from 5 to 30 minutes. Do not exceed 30 minutes of continuous use per loop handpiece.
5. **Apply the Loop:** Gently place the therapy loop on the intended treatment area of the horse. Ensure good contact with the skin or coat.
6. **Monitor the Horse:** Observe the horse for any signs of discomfort during the session. Adjust intensity or reposition the loop if necessary.
7. **End Session:** Once the set time has elapsed, the device will automatically stop. If you need to end the session manually, turn the "POWER ON/OFF" switch to "OFF".
8. **Disconnect:** After turning off the device, carefully disconnect the loop handpiece from the main unit.

5.1 Application Areas and Benefits

The PEMF Therapy Device is versatile and can be applied to various areas of the horse's body to address a range of conditions.

Application Area



- High powered PEMT
- The drug-free way with PEMT
- The fastest, most accessible, and convenient solution for pain relief

Figure 5.1: Examples of PEMF therapy application on horses.

This collage of images demonstrates different ways the PEMF loops can be applied to a horse, including the neck, shoulder, back, and legs. It highlights the versatility of the device for targeting various anatomical regions.

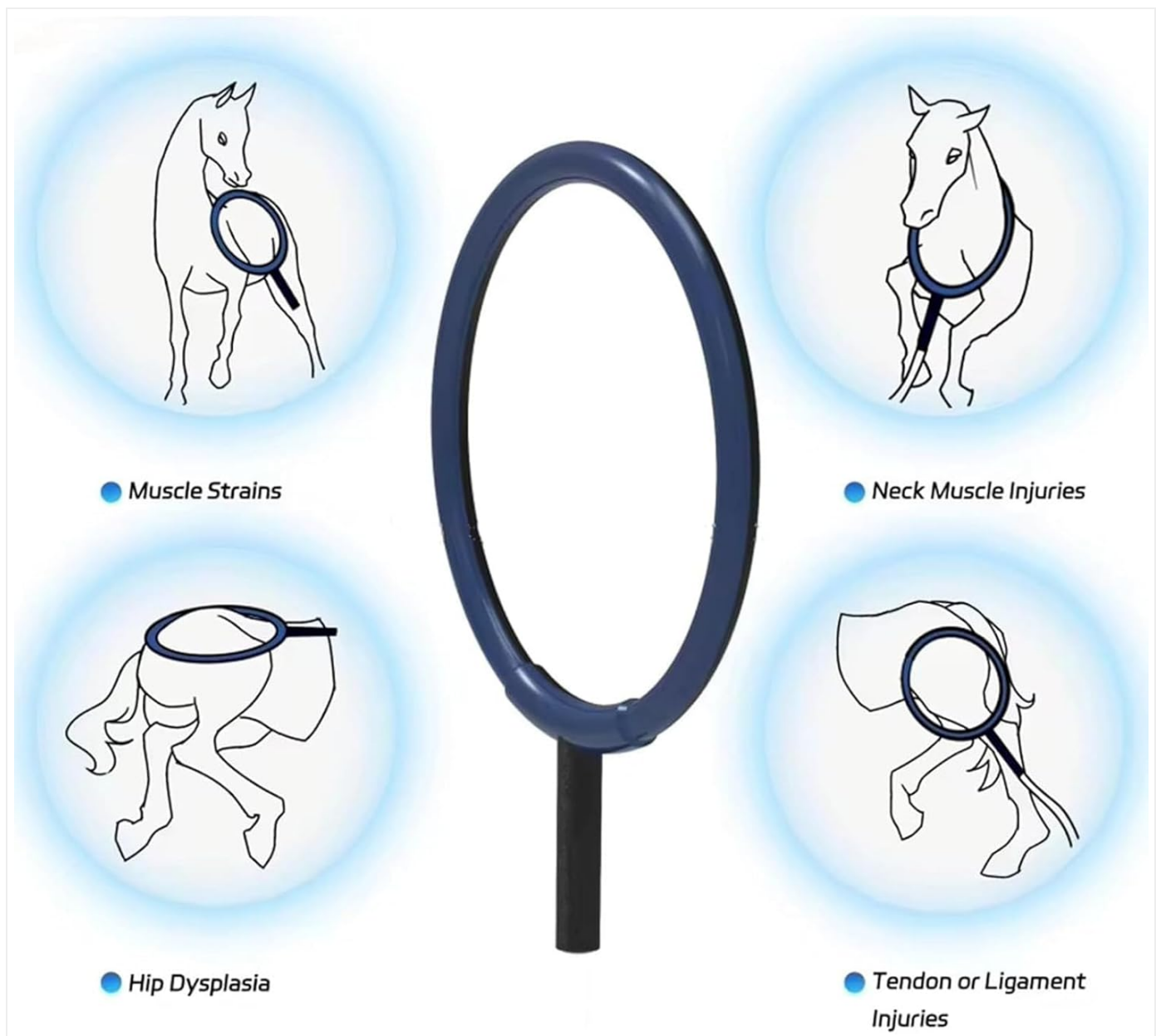


Figure 5.2: Targeted conditions for PEMF therapy.

This image shows a large single PEMF loop surrounded by four diagrams of a horse, each highlighting a specific area and condition that can be treated: Muscle Strains, Neck Muscle Injuries, Hip Dysplasia, and Tendon or Ligament Injuries.

- **Muscle Soreness and Pain Relief:** Effective for alleviating soreness caused by muscle strain and lactic acid buildup, particularly beneficial for racehorses post-workout.
- **Joint Pain:** A non-invasive solution for joint discomfort.
- **Tendon and Ligament Strains:** Promotes faster recovery and healing.
- **Musculoskeletal and Neurologic Conditions:** Supports overall recovery and well-being.
- **Enhanced Performance:** Regular use can relax horses, reduce discomfort, and enhance overall wellness and performance.
- **Cellular Benefits:** Helps normalize cell membrane potential, increase oxygen partial pressure, facilitate calcium influx into cells, and improve blood circulation.

The device is also suitable for other animals, providing versatile pain relief and recovery support.

6. MAINTENANCE

- **Cleaning:** Wipe the main unit and loops with a soft, damp cloth. Do not use abrasive cleaners or immerse the device in

water.

- **Storage:** Store the device in its original case in a cool, dry place away from direct sunlight and extreme temperatures.
- **Inspection:** Regularly inspect the power cord and loop connectors for any signs of damage. Do not use the device if any components are damaged.

7. TROUBLESHOOTING

If you encounter issues with your PEMF Therapy Device, please refer to the following common troubleshooting steps:

- **Device Not Powering On:**
 - Ensure the power cord is securely plugged into both the device and the electrical outlet.
 - Check the fuse on the main unit. If blown, replace it with a fuse of the same rating.
 - Verify that the power outlet is functional by testing it with another appliance.
- **No Magnetic Field from Loop:**
 - Ensure the loop handpiece is securely connected to the main unit.
 - Check that the intensity setting is not at '0'.
 - Verify that the device is powered on and the timer is set.
- **Overheating:**
 - Do not use the loop handpiece for more than 30 minutes continuously. Allow the device to cool down between prolonged sessions.
 - Ensure adequate ventilation around the main unit.

For issues not covered here, please contact the manufacturer's customer support.

8. SPECIFICATIONS

Feature	Detail
Model Number	Generic
Magnetic Field Intensity	1000-6000 Gauss (Adjustable)
Output Power	850W
Treatment Time	5-30 minutes (Adjustable)
Loop Attachments	Single Loop, Small Double Ring (Butterfly Loop)
Package Dimensions	3.15 x 3.15 x 3.15 inches
Item Weight	2.2 pounds
Manufacturer	Generic
Batteries Required	No
IP Rating	IP31

9. WARRANTY AND SUPPORT

For information regarding product warranty, technical support, or service, please contact the manufacturer directly. Refer to the product packaging or the seller's information for contact details.

Manufacturer: Generic



© 2025 Generic. All rights reserved.