

## SOFTSEA WD05320

# SOFTSEA Horizontal Murphy Cabinet Bed with LED Light - Twin Size Instruction Manual

Model: WD05320

## 1. INTRODUCTION

---

This manual provides detailed instructions for the assembly, operation, maintenance, and troubleshooting of your SOFTSEA Horizontal Murphy Cabinet Bed with LED Light. This innovative furniture piece is designed to maximize space by transforming from a compact cabinet into a comfortable twin-size bed. Please read this manual thoroughly before assembly and use to ensure safe and proper operation.

## 2. SAFETY INFORMATION

---

- **Read All Instructions:** Before assembly and use, carefully read and understand all instructions provided in this manual.
- **Two-Person Assembly:** Assembly of this product requires at least two adults. Do not attempt to assemble alone.
- **Secure to Wall:** For safety, the cabinet bed must be securely anchored to a wall. Use appropriate hardware for your wall type. Failure to do so may result in tipping and serious injury.
- **Weight Capacity:** The bed is designed to support a maximum weight of **400 lbs**. Do not exceed this limit.
- **Mattress Thickness:** Use a mattress with a recommended thickness of **6-8 inches**. Using a thicker or heavier mattress may affect the hydraulic system's operation and safety.
- **Keep Clear:** Ensure the area around the bed is clear of obstructions when folding or unfolding. Keep children and pets away during operation.
- **Regular Checks:** Periodically check all bolts, screws, and connections to ensure they remain tight. Retighten as necessary.

## 3. SETUP AND ASSEMBLY

Your SOFTSEA Murphy Cabinet Bed comes with all necessary hardware and tools for assembly. Follow the step-by-step instructions provided in the separate assembly guide included with your product. Ensure you have ample space and assistance during the assembly process.

### Key Assembly Points:

- **Unpacking:** Carefully unpack all components and verify against the parts list.
- **Frame Construction:** Assemble the main cabinet frame first, ensuring all connections are secure.
- **Bed Frame Integration:** Attach the bed frame to the cabinet using the provided hardware. The smooth hydraulic system will be integrated during this step to facilitate effortless lifting and lowering.
- **Slat Support Installation:** Install the wooden slats onto the bed frame. These provide even weight distribution and mattress support.
- **LED Light Connection:** Connect the LED light strip as per the instructions.
- **Wall Anchoring:** Crucially, secure the assembled cabinet to a sturdy wall using the anti-tip hardware.



Image: Close-up of the hydraulic system and wooden slat supports, essential for smooth operation and mattress stability.



Image: Detail of the safety latch mechanism, ensuring the bed remains securely folded when not in use.



Image: Side view illustrating the bed's unfolding mechanism and the sturdy support legs.

## 4. OPERATING INSTRUCTIONS

---

### 4.1 Unfolding the Bed

1. Ensure the area in front of the cabinet is clear of any obstacles.
2. Release any safety latches or locks that secure the bed in its cabinet position.
3. Gently pull the bed frame downwards. The hydraulic system will assist in a smooth, controlled descent until the bed is fully extended and the support legs are in place.
4. Place your twin-size mattress (6-8 inches thick) onto the wooden slats.



Image: The Murphy bed fully unfolded, showcasing the sleeping surface and integrated design.

## 4.2 Folding the Bed into a Cabinet

1. Remove any bedding or pillows that may obstruct the folding mechanism.
2. Lift the bed frame upwards from the foot end. The hydraulic system will assist in lifting the bed smoothly back into the cabinet.
3. Ensure the support legs fold neatly into their designated positions.
4. Once fully upright, engage any safety latches or locks to secure the bed in its cabinet form.



Image: The Murphy bed in its folded cabinet configuration, demonstrating its space-saving design.

### **4.3 LED Light Operation**

The integrated LED light strip offers 7 color options to enhance your room's ambiance. Refer to the separate LED light controller instructions for specific details on changing colors, brightness, and modes. Ensure the LED light is properly connected to a power source.

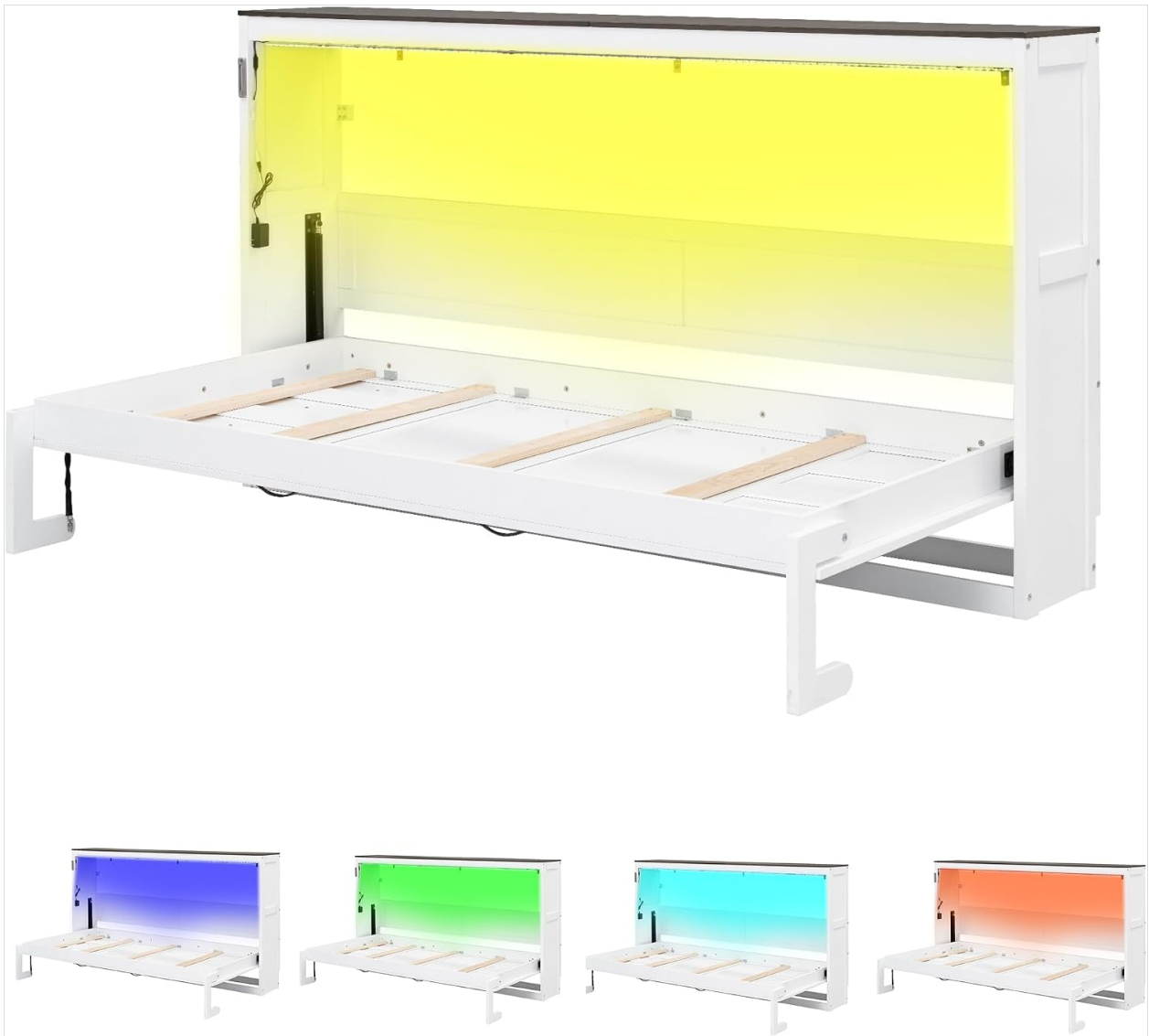


Image: The unfolded Murphy bed with its integrated LED lighting system active, displaying multiple color options.

## 5. MAINTENANCE

---

- **Cleaning:** Wipe surfaces with a soft, damp cloth. Avoid harsh chemicals or abrasive cleaners that may damage the wood or MDF finish.
- **Hardware Check:** Regularly inspect all screws, bolts, and connections. Tighten any loose hardware to maintain stability and safety.
- **Hydraulic System:** The hydraulic system is designed for long-term use. If you notice any stiffness or difficulty in operation, ensure there are no obstructions. Do not attempt to disassemble the hydraulic cylinders.
- **LED Lights:** Ensure the LED light connections are secure. If the lights malfunction, check the power source and controller.

## 6. TROUBLESHOOTING

---

### 6.1 Bed Does Not Fold/Unfold Smoothly

- **Check for Obstructions:** Ensure no bedding, pillows, or other items are caught in the mechanism.
- **Verify Hardware:** Confirm all assembly hardware is properly tightened. Loose bolts can cause misalignment.

- **Mattress Weight/Thickness:** Ensure your mattress meets the recommended thickness (6-8 inches) and does not exceed the weight capacity. An unsuitable mattress can affect hydraulic performance.

## 6.2 LED Light Not Working

- **Power Connection:** Check if the LED power adapter is securely plugged into a working outlet and properly connected to the LED strip.
- **Controller:** If using a remote control, ensure batteries are functional and the remote is pointed correctly at the receiver.
- **Wiring:** Inspect the wiring for any visible damage or loose connections.

## 7. SPECIFICATIONS

---

Feature	Detail
Model Number	WD05320
Overall Product Dimension (L x W x H)	83" x 45.3" x 46.8"
Bed Dimension	76" x 39.3" (Twin Size)
Total Height	46.8"
Recommended Mattress Thickness	6-8 inches
Bed Weight Capacity	400 lbs
Overall Product Weight	134 lbs
Material	Solid Wood + MDF
Color	White + Brown
Number of Packages	2
Assembly Required	Yes
Origin	Vietnam

size:inch

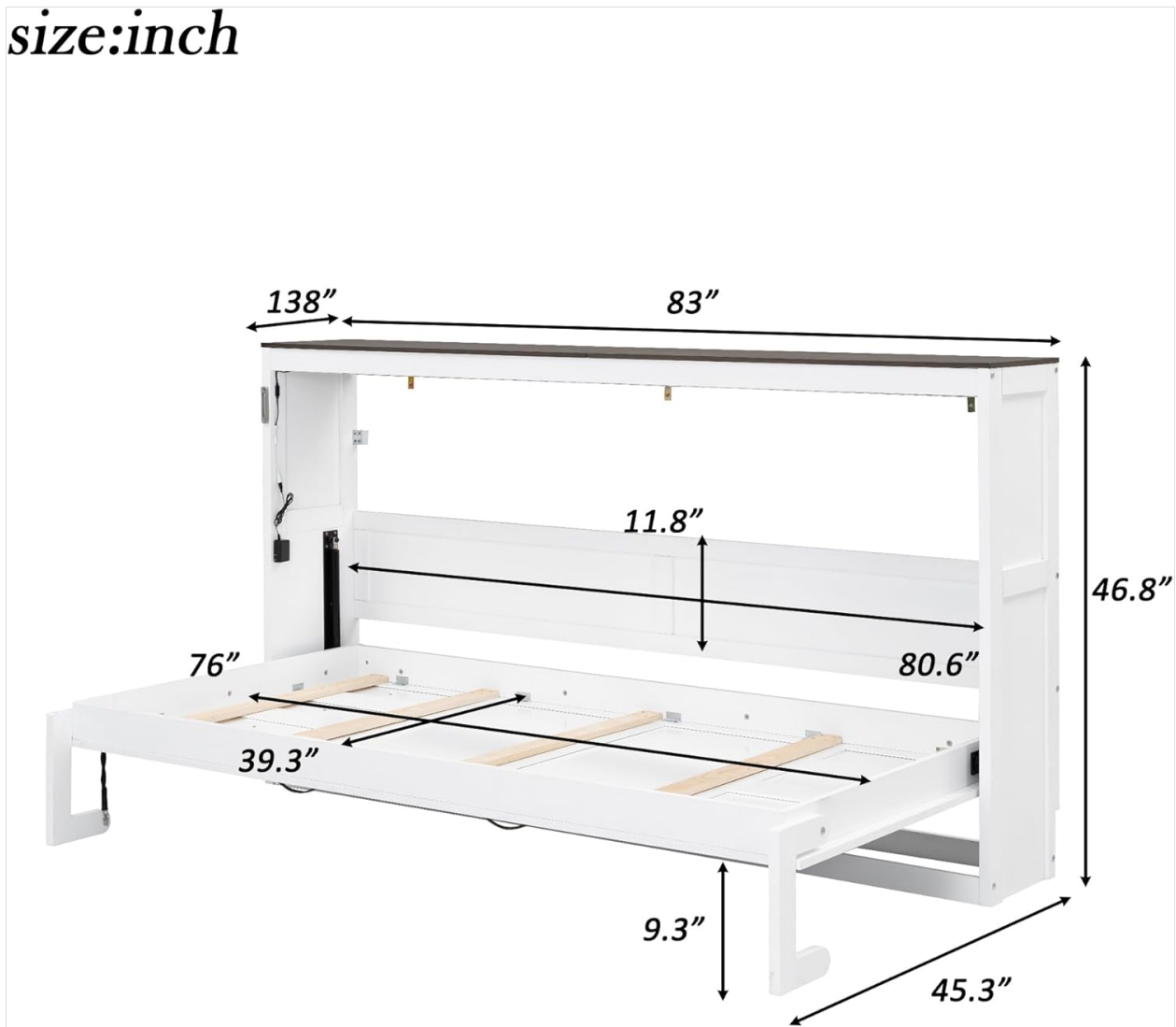


Image: Dimensional drawing of the Murphy bed, illustrating key measurements for planning and installation.

## 8. WARRANTY AND CUSTOMER SUPPORT

For any questions regarding assembly, missing parts, or product defects, please contact SOFTSEA customer support. Refer to your purchase documentation for specific warranty details and contact information. Always provide your model number (WD05320) when contacting support to ensure efficient service.

You can typically find customer support contact details on the retailer's website where you purchased the product or within the packaging materials.