



Manuals.plus /

› Eafurn /

› Eafurn 117.5" Convertible U Shaped Sleeper Sectional Sofabed User Manual

Eafurn 117.5" Convertible U Shaped Sleeper Sectional Sofabed

Eafurn 117.5" Convertible U Shaped Sleeper Sectional Sofabed User Manual

Model: 117.5" Convertible U Shaped Sleeper Sectional Sofabed

1. INTRODUCTION

Thank you for choosing the Eafurn 117.5" Convertible U Shaped Sleeper Sectional Sofabed. This manual provides essential information for the safe assembly, operation, and maintenance of your new furniture. Please read these instructions carefully before beginning assembly and retain them for future reference.

2. SAFETY INFORMATION

- Always assemble the product on a soft, clean surface to prevent damage.
- Ensure all connections are securely tightened before use. Periodically check and re-tighten as necessary.
- Do not exceed the weight capacity of 300 LBS per seat (total 1500 LBS).
- Keep small parts and packaging materials away from children to prevent choking hazards.
- Avoid standing or jumping on the sofa.
- Use caution when converting the sofa to a bed or accessing the storage chaise to avoid pinching.

3. PACKAGE CONTENTS

Your Eafurn U Shaped Sleeper Sectional Sofabed will arrive in 4 separate packages. Please ensure all packages have arrived before starting assembly. Verify that all components listed below are present and undamaged.

Included Components:

- Sectional Sofa Components (various sections for U-shape)
- Pull-Out Bed Mechanism

- Right Storage Chaise Lounge
- 2 Throw Pillows
- Assembly Tools (included)
- Hardware Pack (screws, bolts, connectors)

Note: If any parts are missing or damaged, please contact customer support immediately.

4. SETUP AND ASSEMBLY

Assembly requires two people. All necessary installation tools are provided. Please follow the steps below carefully.

4.1 Unpacking and Preparation

1. Carefully unpack all components from the 4 packages.
2. Lay out all parts on a clean, soft surface to prevent scratches.
3. Identify all hardware and components using the provided parts list (not included in this manual, refer to package insert).

4.2 Component Identification and Dimensions

Refer to the diagram below for an overview of the sofa's dimensions and component layout. This will assist in identifying the various sections during assembly.

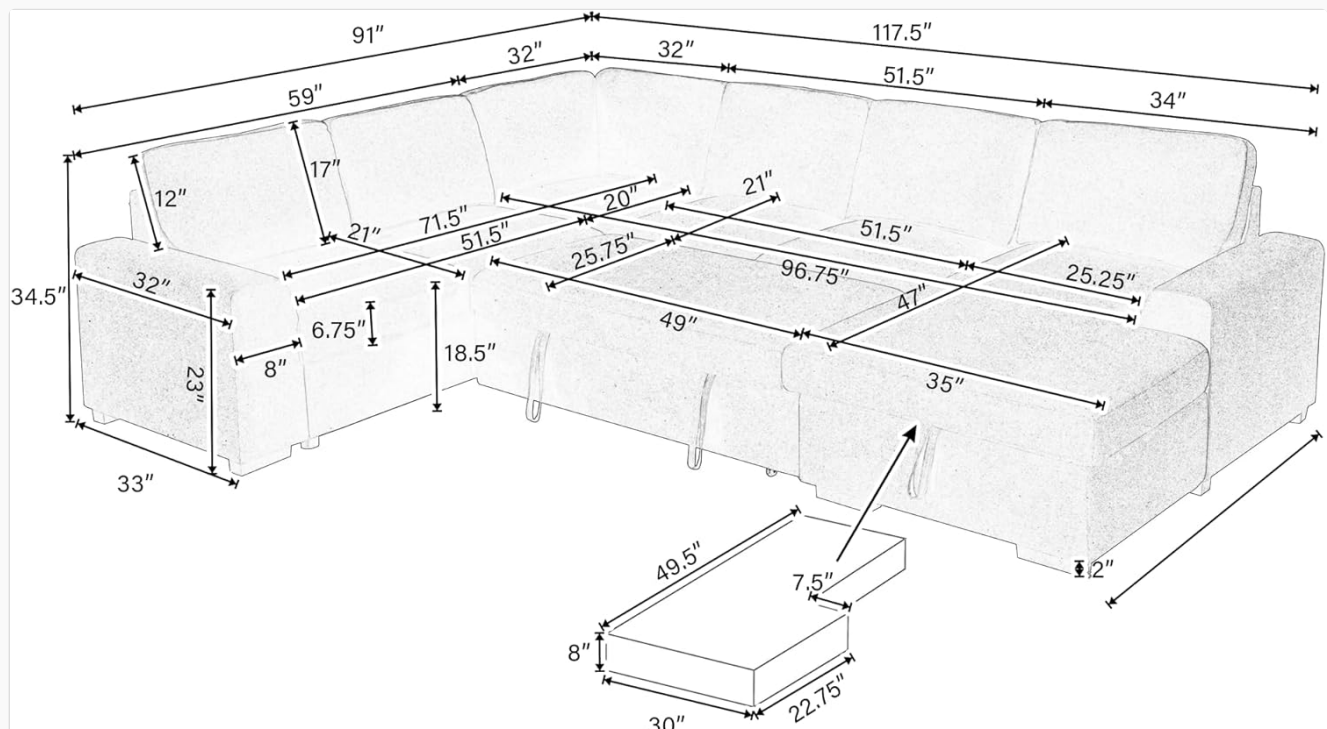


Figure 1: Overall dimensions and component layout of the sectional sofa.

4.3 Assembly Steps

While specific step-by-step instructions are provided in the product packaging, the general assembly involves connecting the individual sectional pieces and attaching the legs. Ensure the pull-out bed mechanism and storage chaise are correctly integrated.

1. Connect the main sofa sections using the provided connectors. Ensure they are aligned and securely fastened.

2. Attach the right storage chaise lounge to the main sofa structure.
3. Install the sofa legs to the underside of each section.
4. Place the back cushions and throw pillows.
5. Confirm all connections are tight and the sofa is stable before use.

5. OPERATING INSTRUCTIONS

5.1 Using the Pull-Out Sleeper Bed

The middle loveseat sections can be pulled out to form a comfortable sofa bed. This feature maximizes space and provides an additional sleeping surface.



Figure 2: Sofa converted into a sleeper bed.

1. Locate the pull handles or loops on the front of the middle loveseat sections.
2. Gently pull the sections outwards until the bed mechanism is fully extended and locked into place.
3. To retract, lift the front edge slightly (if necessary to disengage a lock) and push the sections back into the sofa frame until fully closed.

5.2 Utilizing the Storage Chaise Lounge

The right-facing chaise lounge includes a convenient storage compartment for blankets, pillows, remote controls, or other items.



Figure 3: Storage compartment within the chaise lounge.

1. Lift the top cushion of the chaise lounge from the front edge.
2. The lid will typically stay open on its own, allowing access to the storage area.
3. To close, gently lower the lid until it rests securely.

6. MAINTENANCE

6.1 General Care

- Regularly vacuum the corduroy fabric using a soft brush attachment to remove dust and debris.
- Avoid direct sunlight exposure to prevent fading.
- Rotate cushions periodically to ensure even wear.
- Keep pets with sharp claws away from the fabric to prevent snags.

6.2 Cleaning Spills and Stains

- For liquid spills, blot immediately with a clean, dry cloth. Do not rub, as this can spread the stain.
- For tougher stains, use a mild fabric cleaner specifically designed for corduroy or upholstered furniture. Test the cleaner on an inconspicuous area first.
- Avoid using harsh chemicals or abrasive cleaners, as these can damage the fabric.
- The back cushions have removable covers for easier cleaning. Follow the care instructions on the fabric label.

7. TROUBLESHOOTING

7.1 Sofa Feels Unstable

- Check all leg attachments and ensure they are securely tightened.
- Verify that all sectional connectors are properly engaged and tightened.
- Ensure the sofa is placed on a level surface.

7.2 Pull-Out Bed Mechanism is Stiff

- Ensure there are no obstructions (e.g., rugs, debris) preventing the mechanism from moving freely.

- Apply a silicone-based lubricant to any moving metal parts if stiffness persists. Avoid oil-based lubricants that can attract dust.
- Ensure the sofa is on a flat surface.

7.3 Cushions Feel Too Firm or Soft

- New cushions may feel firm initially and will soften with use.
- Regularly fluff and rotate cushions to maintain their shape and comfort.

8. SPECIFICATIONS

Feature	Detail
Product Type	Oversized U Shaped Convertible Sleeper Sectional Sofa Bed
Seating Capacity	6
Upholstery Material	Corduroy
Seat Fill Material	Spring Pockets & Foam
Back Fill Material	Foam
Frame Material	Solid Wood + Metal
Seat Construction	Solid wood + Sinuous Spring
Back Type	Cushion back
Toss Pillows	2 pcs included
Weight Capacity	300 LBS each seat (Total 1500 LBS)
Overall Dimensions (Sofa)	117.5"W x 91"D x 34.5"H
Sleeper Size	96.75"W x 47"D x 18.5"H
Storage Size (Chaise)	49.5"L x 30"W x 8"H
Seat Depth	21"
Seat Height	18.5"
Arm Height	23"
Arm Width	8"
Leg Height	2"
Product Weight	340.7 LBS
Assembly Required	Yes
Color	Beige

9. WARRANTY AND SUPPORT

9.1 Warranty Information

Eafurn products are manufactured with quality and care. For specific warranty details regarding your 117.5" Convertible U Shaped Sleeper Sectional Sofabed, please refer to the warranty card included in your product packaging or visit the official Eafurn website. Warranty coverage typically includes manufacturing defects under normal use.

9.2 Customer Support

If you have any questions, require assistance with assembly, or need to report missing/damaged parts, please contact Eafurn customer support. Have your purchase details and model number ready for faster service.

Contact Information:

- Refer to your product packaging for the most current contact details.
- Visit the Eafurn Store on Amazon for additional information and support resources.