

SoBuy FKW128-ST

SoBuy FKW128-ST Kitchen Island Cart Instruction Manual

Model: FKW128-ST | Brand: SoBuy

INTRODUCTION

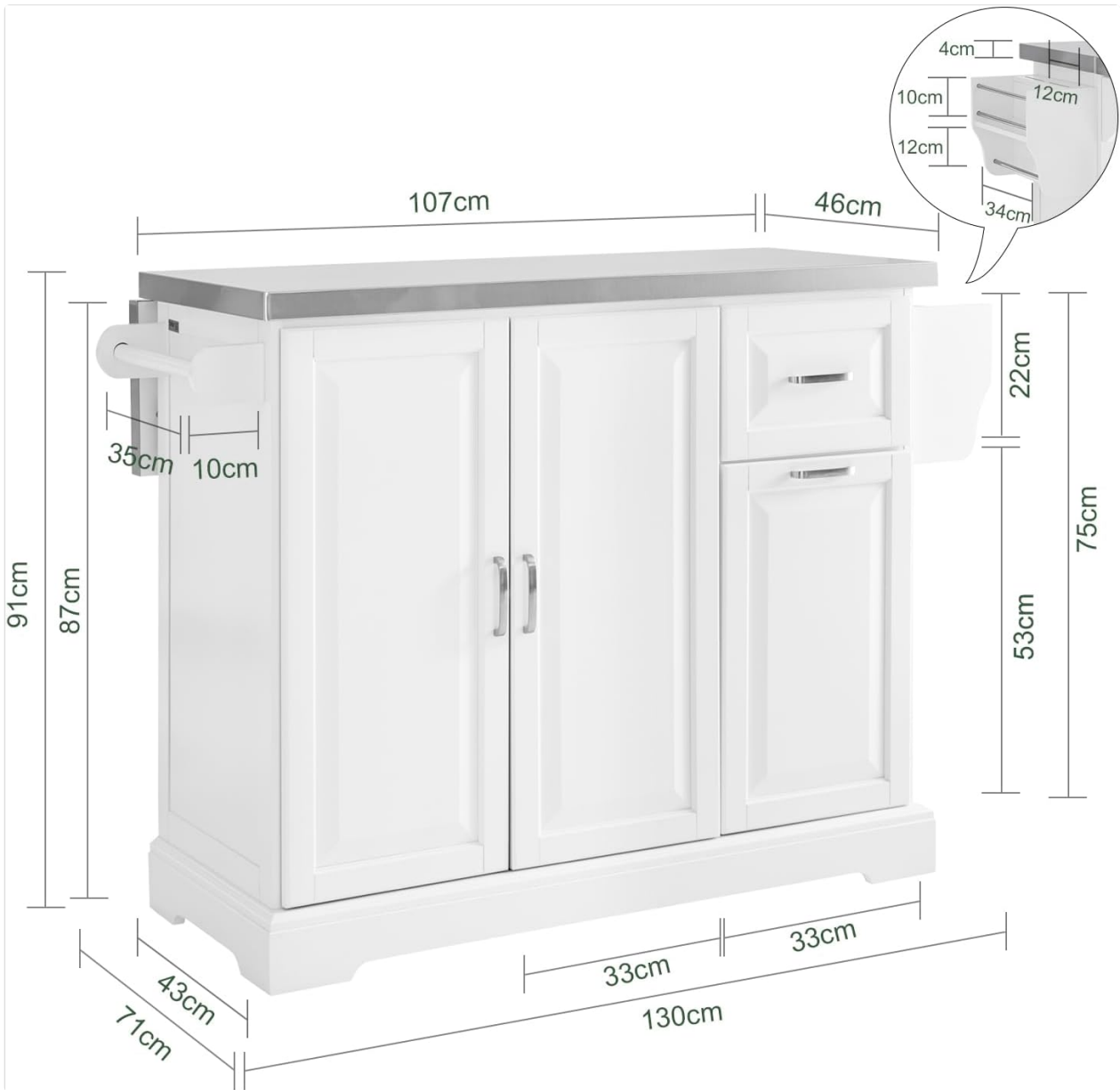
Thank you for choosing the SoBuy FKW128-ST Kitchen Island Cart. This mobile kitchen island is designed to provide versatile storage and an extendable workspace for your kitchen or dining area. Constructed from high-quality PB and MDF, it features a durable stainless steel countertop and convenient mobility. This manual provides detailed instructions for assembly, operation, maintenance, and safety to ensure optimal use and longevity of your product.

SAFETY INFORMATION

- Do not exceed the maximum weight capacity of 90 kg (198 lbs) for the entire unit.
- Ensure all screws, bolts, and fasteners are securely tightened before and during use. Periodically check for loose connections.
- Keep small parts and packaging materials away from children to prevent choking hazards.
- Assemble the unit on a soft, clean surface to prevent scratches or damage.
- Use caution when moving the cart, especially on uneven surfaces or with heavy items stored inside.
- Avoid placing hot items directly on the stainless steel surface without protection to prevent discoloration or damage over time.

PRODUCT FEATURES

Dimensions and Design



The kitchen island measures 130 cm (width) x 46 cm (depth) x 91 cm (height) when the countertop is not extended. With the extendable countertop fully open, the depth increases to 71 cm. The design features a clean white finish with a stainless steel top, two cabinet doors, and two drawers.

Extendable Stainless Steel Countertop

Plan de travail extra-large (25 cm)

Table de cuisine repliable pour plus d' espace en cuisine



The stainless steel countertop features a foldable side that extends the work surface by 25 cm, increasing the depth from 46 cm to 71 cm. This provides additional space for food preparation or dining.

Ample Storage and Organization

Grand espace de rangement

Place pour un micro-ondes et tous les ustensiles de cuisine



Couverts



Assiettes



Sacs de céréales



Machine à pain

The cart includes two smooth-gliding drawers for utensils and smaller items, and a spacious cabinet with an adjustable shelf for larger kitchenware. A removable storage box is also provided for additional organization.

Hidden Wheels for Mobility



Equipped with four concealed wheels, the kitchen island can be easily moved to different locations within your home, offering flexible placement and convenience.

Integrated Accessories



Panneau en inox



Tiroir



Accessoires métalliques

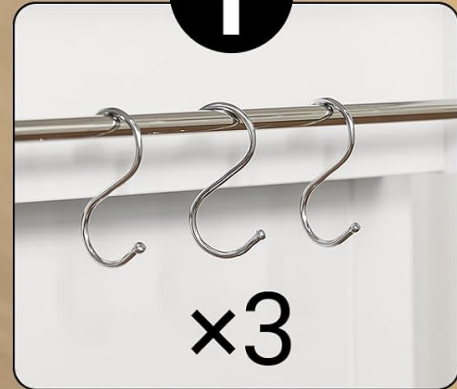


Un porte-serviettes

The cart features a convenient towel rail on one side for easy access to kitchen towels. Additionally, a knife rack with three hooks is included for hanging small utensils or kitchen tools.

Range-couteaux

Rangement pratique pour petits objets suspendus



x3

The knife rack provides practical storage for knives and other small items, keeping them within reach while maintaining an organized workspace.

Versatile Pull-Out Drawer



The lower pull-out drawer offers flexibility for storing a small appliance, such as a stand mixer, or can be used

to house a waste bin, keeping it discreetly out of sight.

SETUP AND ASSEMBLY

The SoBuy FKW128-ST Kitchen Island Cart is delivered in two flat-packed parcels and requires assembly. Detailed assembly instructions are included with the product. Please follow these steps carefully:

1. **Unpack Components:** Carefully unpack all parts and hardware. Verify that all components listed in the instruction manual are present and undamaged.
2. **Prepare Workspace:** Choose a clean, flat, and spacious area for assembly. Lay down a blanket or cardboard to protect the parts and your floor.
3. **Follow Instructions:** Refer to the provided step-by-step assembly guide. Each part is typically numbered for easy identification.
4. **Secure Connections:** Ensure all screws, dowels, and cam locks are fully tightened to provide stability. Do not over-tighten to avoid damaging the material.
5. **Install Wheels:** Attach the hidden wheels to the base as indicated in the instructions.
6. **Attach Accessories:** Install the towel rail, knife rack, and any other external accessories.
7. **Final Check:** Once assembled, gently shake the unit to ensure it is stable. Re-tighten any loose connections if necessary.

Assembly is recommended for two people. A power drill with appropriate bits can expedite the process, but manual tools are sufficient.

OPERATING INSTRUCTIONS

Using the Extendable Countertop

- To extend: Gently lift the foldable side of the countertop and pull it outwards until it is fully horizontal and supported.
- To retract: Lift the extended section slightly, push it inwards, and carefully lower it back into its folded position.

Adjusting the Shelf

- The cabinet features an adjustable shelf. To change its height, remove any items from the shelf.
- Carefully lift the shelf and reposition the shelf pins into the desired holes on the cabinet sides.
- Ensure the shelf is level and securely seated on all four pins before placing items back on it.

Utilizing the Pull-Out Drawer

- The bottom pull-out drawer is designed for versatile use. It can accommodate a small kitchen appliance or a standard waste bin.
- To access, pull the drawer handle outwards. To close, gently push the drawer back until it is fully closed.

Moving the Cart

- The hidden wheels allow for easy repositioning. Ensure the cart is not overloaded before moving.
- Push the cart gently from one side to roll it to your desired location.

CARE AND MAINTENANCE

- **Cleaning the Stainless Steel Countertop:** Wipe with a soft cloth and a mild, non-abrasive cleaner. For stubborn stains, use a stainless steel cleaner. Always wipe in the direction of the grain.
- **Cleaning Wooden Surfaces:** Wipe with a damp cloth and mild soap. Dry immediately with a clean cloth. Avoid harsh chemicals or abrasive cleaners.
- **Spills:** Clean up spills immediately to prevent staining or damage to the wood and stainless steel.
- **Hardware:** Periodically check all screws and fittings to ensure they remain tight. Re-tighten as needed.
- **Avoid Excessive Moisture:** Do not expose the unit to excessive moisture or humidity, as this can cause warping or damage to the wood.
- **Weight Distribution:** Distribute weight evenly across shelves and drawers to maintain stability and prevent damage.

TROUBLESHOOTING

Problem	Possible Cause	Solution
Cart is wobbly or unstable.	Loose fasteners; uneven assembly.	Check and tighten all screws and bolts. Ensure the unit is on a level surface.
Drawers do not slide smoothly.	Drawer slides are misaligned or dirty; overloaded drawer.	Ensure drawer slides are correctly installed and free of debris. Reduce the weight in the drawer.
Extendable countertop is stiff.	Hinges are dry or obstructed.	Apply a small amount of silicone lubricant to the hinges. Check for any obstructions.
Wheels do not roll freely.	Debris caught in wheels; damaged wheels.	Clean any debris from the wheels. If damaged, contact customer support for replacement parts.

SPECIFICATIONS

Feature	Detail
Model Number	FKW128-ST
Brand	SoBuy
Color	White
Material	PB, MDF, Stainless Steel
Product Dimensions (D x W x H)	46-71 cm x 130 cm x 91 cm
Weight Limit	90 kg (198 lbs)
Item Weight	52 kg (114.6 lbs)

Feature	Detail
Number of Drawers	2
Number of Shelves	1 (adjustable)
Special Features	Extendable countertop, hidden wheels, towel rail, knife rack with hooks, pull-out drawer for appliance/bin.
Assembly Required	Yes
Country of Origin	China

WARRANTY AND SUPPORT

For warranty information, please refer to the documentation included with your purchase or contact the retailer where the product was acquired. If you require assistance with assembly, missing parts, or have any questions regarding the product, please contact SoBuy customer support through their official website or the retailer's customer service channels. Please have your model number (FKW128-ST) and proof of purchase ready when contacting support.