

[Manuals.plus](#) /

› [Mirightone](#) /

› Mirightone Queen Loft Bed with Desk and RGB Light User Manual

## Mirightone 33

# Mirightone Queen Loft Bed User Manual

Model: 33

## INTRODUCTION

Thank you for choosing the Mirightone Queen Loft Bed with Desk and RGB Light. This comprehensive manual provides essential information for the safe assembly, operation, and maintenance of your new loft bed. Designed for functionality and space-saving, this heavy-duty metal loft bed includes integrated storage, a desk, RGB lighting, and a charging station, making it an ideal solution for various living environments.



*Image: The Mirightone Queen Loft Bed, showcasing its integrated desk, RGB lighting, and staircase with storage.*

## **IMPORTANT SAFETY GUIDELINES**

Please read and adhere to the following safety instructions to ensure safe use and prevent injury:

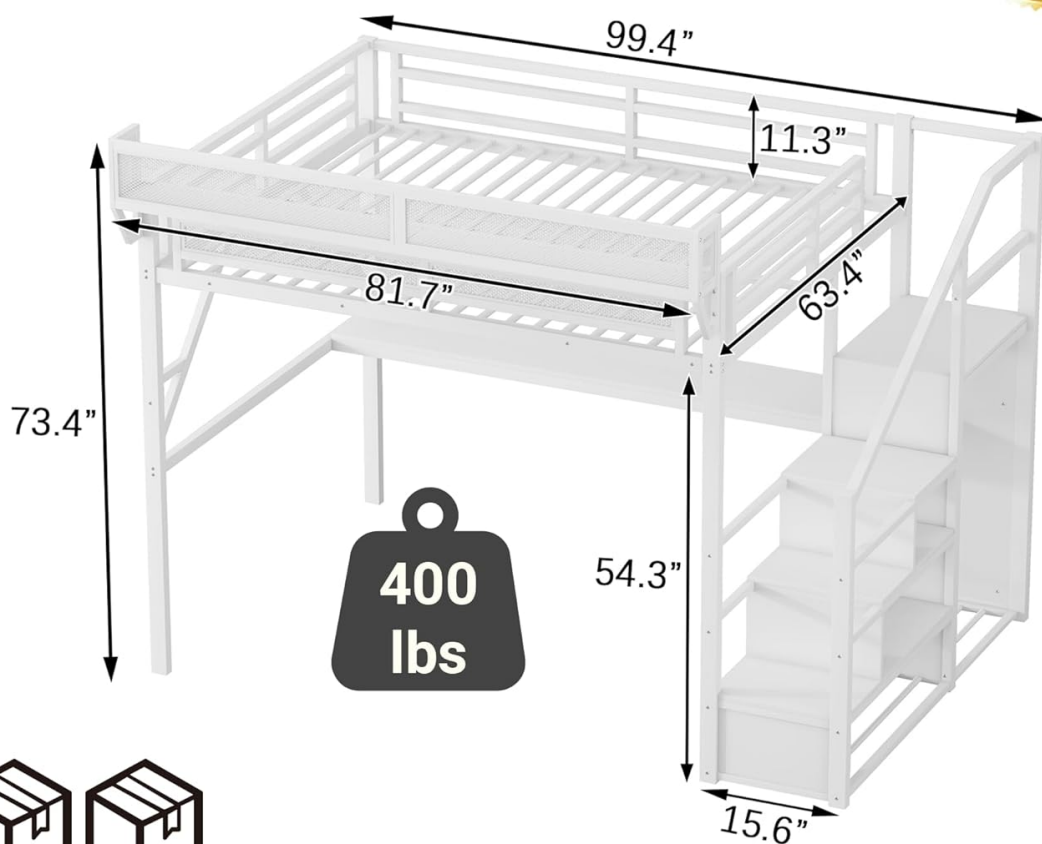
- Do not exceed the weight capacity of 350 lbs on the upper bunk.
- Exercise caution around sharp edges, stairs, and the charging station to prevent injury.
- Always follow the assembly instructions carefully to ensure the bed's stability and prevent collapse.
- Utilize the provided Anti-Tipping Nails to securely fasten the bed to the wall for enhanced safety.

## **PACKAGE CONTENTS**

Your Mirightone Queen Loft Bed will be delivered in two separate boxes. Please ensure both boxes have arrived before beginning assembly. The package includes all necessary components for assembly:

- Guardrails
- Installation Manual
- Slats (20 metal slats)
- Stairs with integrated storage
- All necessary hardware (screws, bolts, etc.)
- Anti-Tipping Nails

## Product Dimensions



The item will be delivered in 2 Package!and may NOT arrive on t

Queen Size:99.4"L x 63.4"Wx 73.4"H

Image: Diagram illustrating the product dimensions and indicating delivery in two packages.

## SETUP AND ASSEMBLY

Assembly of the Mirightone Queen Loft Bed requires careful attention to detail. It is highly recommended that at least two adults participate in the assembly process to ensure safety and efficiency.

1. **Preparation:** Unpack all components and verify against the parts list in the included Installation Manual. Ensure you have sufficient space for assembly.
2. **Follow Instructions:** Refer to the detailed instructions and numbered parts provided in the Installation Manual. Each step is illustrated to guide you through the process.
3. **Structural Integrity:** The bed frame is manufactured from quality metal and secured with heavy-duty screws for solid stability. Ensure all connections are tightened securely as per the manual.
4. **Anti-Tipping:** Install the provided Anti-Tipping Nails to securely fasten the bed to the wall. This is a critical safety step.



*Image: Close-up view highlighting the durable and sturdy construction of the metal frame and slats.*



## Space-Saving Stairs

Stairs double as storage and access

## Spacious Under-Bed Zone

Open zone fits desk/sofa/play mat—fun unleashed



*Image: Illustrates the space-saving stairs with integrated storage and the spacious under-bed area suitable for a desk or play zone.*

### OPERATING INSTRUCTIONS

#### RGB LED Light Operation

The loft bed features remote-controlled RGB LED strips to enhance your room's ambiance. You can customize the lighting experience:

- **Color Selection:** Choose from 16 dynamic colors to match your mood or decor.
- **Control Methods:** Operate the lights via the included remote control or a free mobile application.
- **Dynamic Modes:** Sync the lights with music or voice commands for an interactive experience.
- **Timers:** Set timers for automatic on/off functionality.
- **Brightness & Speed:** Adjust the brightness and speed of light effects to create your desired atmosphere.

#### Charging Station

A built-in charging station is conveniently located on the desk, providing easy access to power for your devices:

- Includes 2 USB ports for charging mobile phones, tablets, and other USB-powered devices.
- Features 2 standard electrical outlets for laptops, lamps, or other electronic appliances.

## Built-in RGB LED Light & Charging Station

Adjust color LED strips with 60,000 colors

APP control or Remote control



2 USB Ports  
& 2 Outlets

*Image: Detailed view of the integrated RGB LED lighting under the bed and the built-in charging station on the desk.*

### Bedside Shelf and Storage

The loft bed is designed with practical storage solutions:

- **Long Bedside Shelf:** Located next to the upper bed, this shelf provides convenient space for essentials such as phones, books, and glasses.
- **Stairs Storage:** The four-step staircase doubles as storage shelves, offering additional space for books, decorative items, or personal belongings.

## Long Bed Side Shelf



Store essentials like phones, books, and glasses within



Books



Daily items



Water cup

*Image: Close-up of the long bedside shelf, showing its utility for storing various items.*

### CARE AND MAINTENANCE

To maintain the appearance and longevity of your Mirightone Queen Loft Bed, follow these care instructions:

- **Cleaning:** Regularly wipe the metal surfaces with a dry cloth to remove dust. For deeper cleaning, use a damp cloth. Avoid abrasive cleaners or harsh chemicals that may damage the finish.
- **Hardware Check:** Periodically check all screws and bolts to ensure they remain tight. Re-tighten if necessary to maintain structural integrity.
- **Weight Distribution:** Distribute weight evenly on the bed and shelves to prevent stress on the frame.

### TROUBLESHOOTING

If you encounter any issues with your Mirightone Queen Loft Bed, consider the following common solutions:

- **Squeaking Noises:** Check all connection points and ensure screws are tightened. Loose hardware is a common cause of squeaking.
- **LED Lights Not Working:** Verify that the power adapter is securely plugged into both the bed and a working electrical outlet. Check the remote control battery. Ensure the app is correctly paired if using app control.
- **Charging Station Issues:** Confirm the charging station is properly connected to power. Test with different devices and cables to rule out device-specific issues.
- **Stability Concerns:** Re-check all assembly steps, especially the tightening of all bolts and the installation of anti-tipping hardware. Ensure the bed is on a flat, level surface.

If problems persist, please refer to the Customer Support section for assistance.

## PRODUCT SPECIFICATIONS

Feature	Detail
Brand	Mirightone
Model Number	33
Size	Queen
Color	White With Desk
Material	Metal
Overall Dimensions (L x W x H)	99.4" x 63.4" x 73.4"
Height of Upper Guardrail	11.3"
Clearance Under the Bed	54.3"
Recommended Mattress Thickness	6" (not included)
Weight Capacity	350 LBS
Net Weight	178.2 lbs
Box Spring Required	No
Special Features	Charging Station, LED Lighting, No Box Spring Needed, Space Saving, Stairs
Assembly Required	Yes
Product Care Instructions	Wipe with Damp Cloth, Wipe with Dry Cloth

## WARRANTY INFORMATION

Mirightone products are manufactured with quality and durability in mind. For specific warranty details regarding your Queen Loft Bed, please refer to the warranty documentation included with your purchase or contact Mirightone customer support. Keep your proof of purchase for any warranty claims.

## CUSTOMER SUPPORT

Should you require further assistance, have questions about assembly, or need to report missing/damaged parts, please do not hesitate to contact Mirightone customer service. Our representatives are ready to help. Visit the official Mirightone Store for more information and support: [Mirightone Store on Amazon](#)