

[Manuals.plus](#) /

› [IDEALHOUSE](#) /

› IDEALHOUSE 4-Foot Folding Table User Manual (Model FSJAZDFT250717)

IDEALHOUSE FSJAZDFT250717

IDEALHOUSE 4-Foot Folding Table User Manual

Model: FSJAZDFT250717

INTRODUCTION

This manual provides essential instructions for the safe and efficient use of your IDEALHOUSE 4-Foot Folding Table. Please read this manual thoroughly before using the product and retain it for future reference.



Image: The IDEALHOUSE 4-foot folding table, presented in grey, showcasing its rectangular design and white metal legs.

SAFETY INFORMATION

- Ensure the table is placed on a stable, level surface before use.
- Do not exceed the maximum weight capacity of 350 lbs (158 kg).
- Keep fingers clear of folding mechanisms when unfolding or folding the table.
- Avoid standing or sitting on the table.
- Do not expose the table to extreme heat sources or open flames.

PACKAGE CONTENTS

Verify that all components are present before proceeding with setup:

- Folding Table x 1

No additional assembly tools or components are required.

SETUP INSTRUCTIONS

The IDEALHOUSE 4-Foot Folding Table requires no assembly. It is designed for immediate use.

1. Carefully remove the table from its packaging.
2. Place the folded table on a flat surface.
3. Gently unfold each leg outwards until it locks securely into place. Ensure all four legs are fully extended and locked before applying weight to the table.



Image: The folding table fully set up in a living room, demonstrating its readiness for use.

OPERATING INSTRUCTIONS

This versatile folding table is suitable for various indoor and outdoor applications:

- **Dining:** Use as an extra dining surface for family meals or gatherings.
- **Game Table:** Ideal for board games, card games, or puzzles.
- **Work Surface:** Functions as a temporary desk for home office tasks.
- **Outdoor Events:** Perfect for picnics, barbecues, or patio dining due to its weather-resistant materials.
- **Buffet Station:** Provides a convenient surface for serving food and drinks.

FOR ALL OCCASIONS



Image: A collage showing the folding table in various use scenarios, including dining, playing games, outdoor picnics, and as a party serving table.

To fold the table for storage:

1. Clear all items from the tabletop.
2. Locate the locking mechanisms on each leg.
3. Press the release button or lever (if present) and fold each leg inwards towards the underside of the table.
4. Ensure all legs are securely folded flat against the table for compact storage.



Image: The folding table and accompanying chairs neatly folded and stored vertically against a wall, demonstrating its space-saving design.

MAINTENANCE

The table's PU leather tabletop is designed for easy cleaning and durability.

- **Cleaning:** For spills and stains, wipe immediately with a damp cloth. For general cleaning, use a mild soap solution and a soft cloth, then dry thoroughly. Avoid abrasive cleaners or harsh chemicals.
- **Storage:** Store the table in a dry place when not in use. While weather-resistant, prolonged exposure to extreme weather conditions may affect its longevity.
- **Inspection:** Periodically check the leg locking mechanisms and frame for any signs of wear or damage.

Folding Card Table



Shelf Bracket Design



PU Leather Top



Strong and Durable Legs

Image: Detailed views highlighting the table's construction, including the shelf bracket design for stability, the texture of the PU leather top, and the robust metal legs with anti-slip feet caps.

TROUBLESHOOTING

- **Table wobbles:** Ensure all legs are fully extended and their locking mechanisms are engaged. Check that the table is on a flat, even surface.
- **Difficulty folding/unfolding legs:** Ensure no debris is obstructing the hinge mechanisms. Apply gentle, even pressure. Do not force the legs.

SPECIFICATIONS

Brand	IDEALHOUSE
Model Name	FSJAZDFT250717
Model Number	FSJAZDFT25071701p024t
Color	Grey
Product Dimensions (D x W x H)	20.07"D x 47.24"W x 27.95"H

Item Weight	16 Pounds
Weight Capacity	Up to 350 lbs
Top Material Type	Faux Leather (PU Leather)
Frame Material Type	Metal (Powder-Coated)
UPC	199641220424

PRODUCT DIMENSIONS

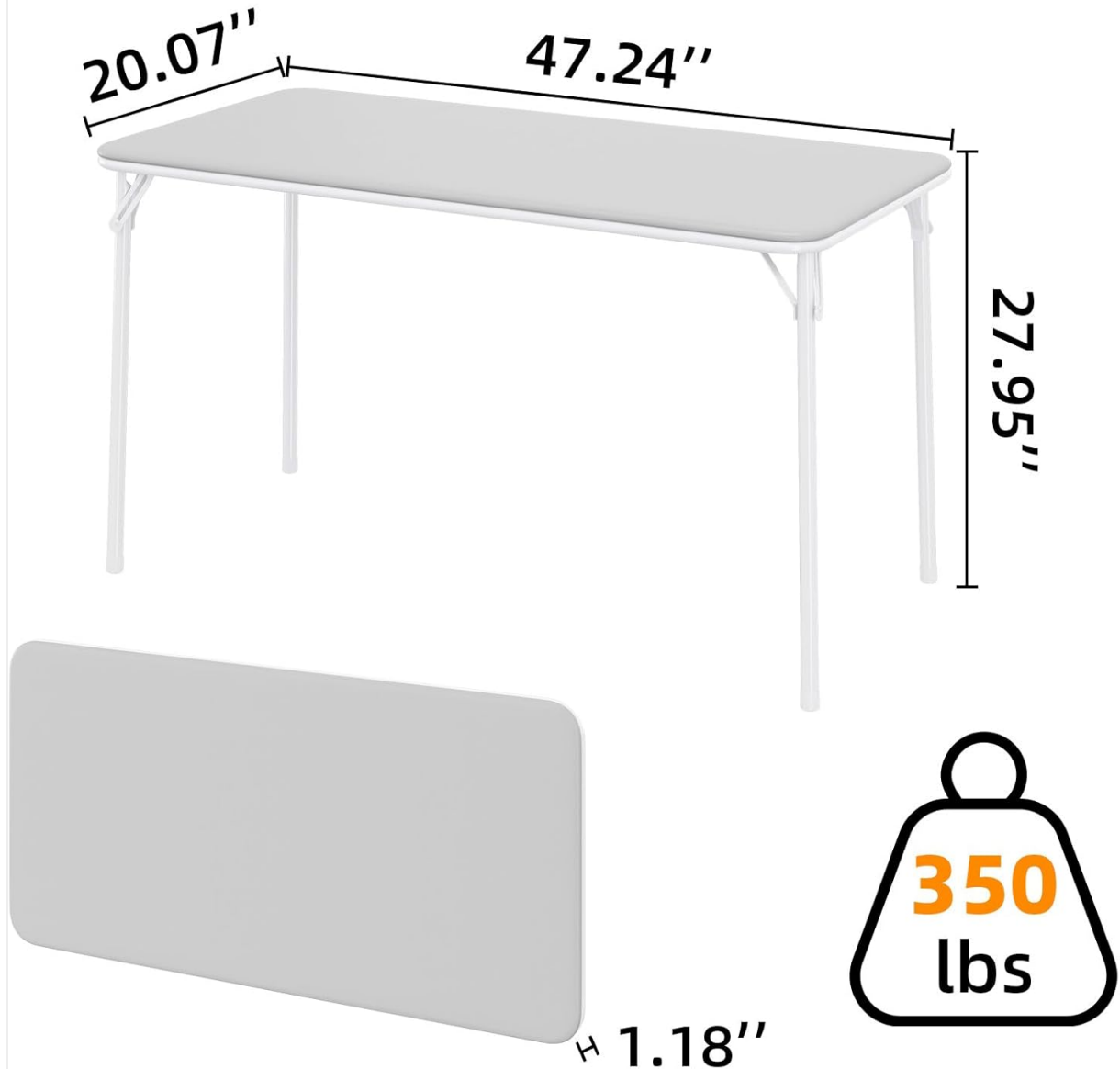


Image: A visual representation of the table's dimensions (20.07"D x 47.24"W x 27.95"H) and its maximum weight capacity of 350 lbs.

WARRANTY AND SUPPORT

For warranty information or customer support, please contact IDEALHOUSE directly through their official channels or the retailer where the product was purchased.

Visit the [IDEALHOUSE Store on Amazon](#) for more information.

