

Fookoo DY701

Fookoo 7" HD 1080P Wired Backup Camera System User Manual

Model: DY701

1. INTRODUCTION

This manual provides detailed instructions for the installation, operation, and maintenance of your Fookoo 7" HD 1080P Wired Backup Camera System. This system is designed to enhance visibility and safety for a variety of vehicles, including agricultural tractors, combine harvesters, trucks, excavators, and more. It features a 7-inch HD monitor, a 1080P camera with IR night vision, IP69K waterproofing, and vibration-proof construction.



The Fookoo 7-inch HD 1080P Wired Backup Camera System provides clear, high-definition viewing for various applications.

2. WHAT'S IN THE BOX

Verify that all components are present before beginning installation.

- 7-inch HD Monitor
- 1080P Rear View Camera

- Suction Cup Mount
- U-shaped Bracket
- Sunshade for Monitor
- Power Cord
- 4-pin Cable (for camera connection)
- Remote Control
- Installation Kit (screws, tools)

What's in the package?



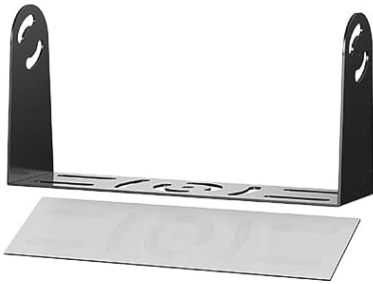
Monitor



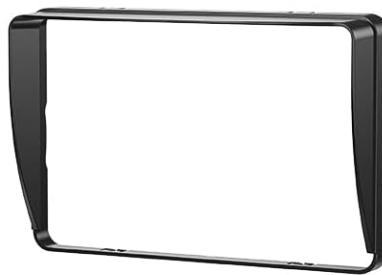
Rear Camera



Suction Cup Mount



U-shaped Bracket



Sunshade



Power Cord



4-pin Cable



Remote Control



Installation Kit

All components included in the Fookoo 7" HD 1080P Wired Backup Camera System package.

3. SETUP AND INSTALLATION

Follow these steps for proper installation of your backup camera system.

3.1 Monitor Mounting

The monitor can be mounted in two ways: on the dashboard using the U-shaped bracket or on the windshield using the

suction cup mount.

1. **Dashboard Mount:** Attach the U-shaped bracket to the monitor. Secure the bracket to your dashboard using the provided screws. Adjust the monitor angle for optimal viewing.
2. **Windshield Mount:** Attach the suction cup mount to the monitor. Press the suction cup firmly against a clean, smooth section of your windshield and engage the locking mechanism. Adjust the monitor angle.



Choose between dashboard or windshield mounting options for the monitor.

3.2 Camera Installation

The camera's compact design allows for flexible placement. Ensure the camera is securely mounted and has a clear view of the desired area.

Our mini camera can be installed anywhere you want.



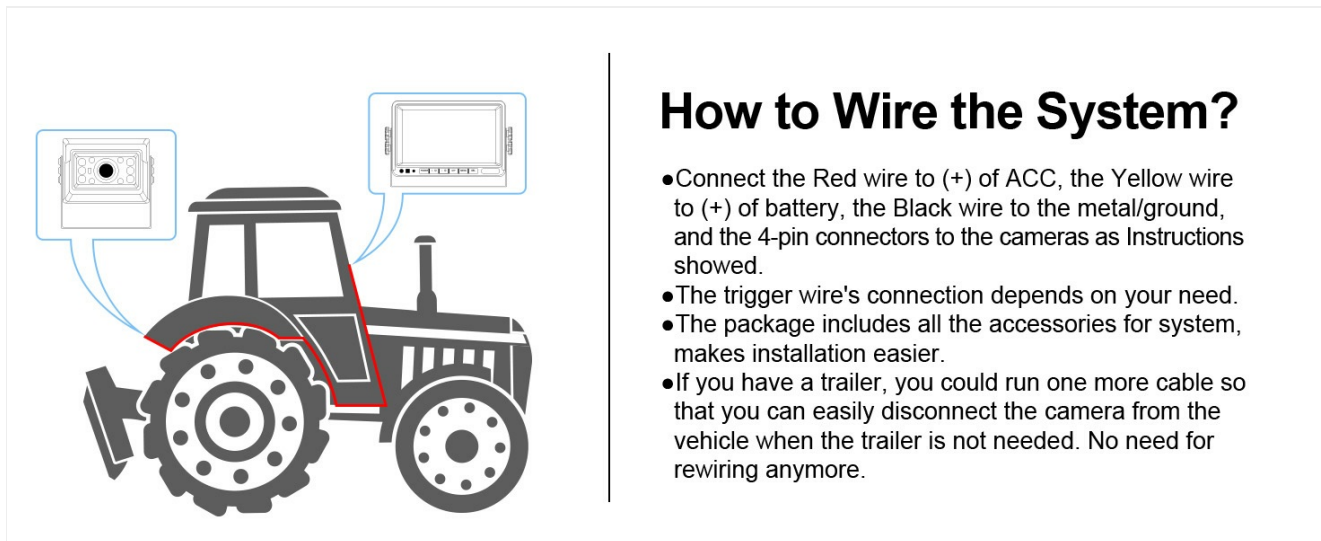
The compact size of the Fookoo camera allows for installation in various locations.

3.3 Wiring the System

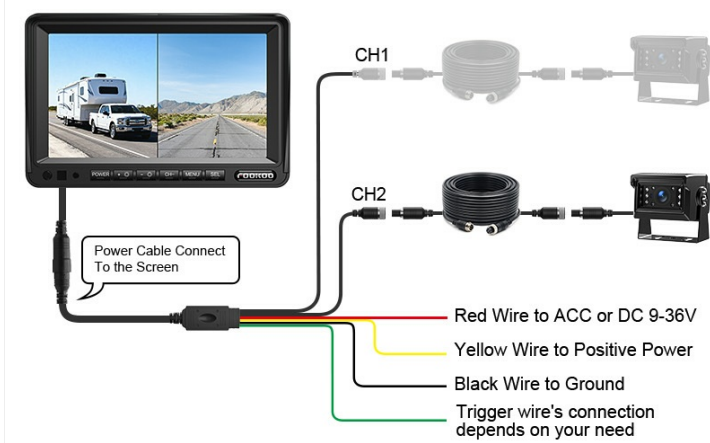
The system uses waterproof aviation 4-pin threaded connectors for reliable connections.

- Connect the **Red wire** to the positive (+) terminal of the ACC (Accessory power).
- Connect the **Yellow wire** to the positive (+) terminal of the battery.
- Connect the **Black wire** to a metal ground point on the vehicle.
- Connect the **4-pin connectors** from the camera(s) to the monitor.
- The **Trigger wire's connection** is optional and depends on your specific needs. When connected, the monitor will automatically turn on and display the camera image when reversing, then return to its previous mode.

If using a trailer, you can run an additional cable to easily disconnect the camera from the vehicle when the trailer is not in use, eliminating the need for rewiring.



Wiring diagram for connecting the Fookoo backup camera system.



What's in the Package?



Monitor



Rear Camera



Suction Cup Mount



U-shaped Bracket



Sunshade



Power Cord



4-pin Cable



Remote Control



Installation Kit

Detailed wiring connections for the monitor and camera(s).

4. OPERATING INSTRUCTIONS

4.1 Monitor Functions

The 7-inch monitor features a 1920x1080 pixel display and supports dual split screen viewing, allowing you to observe two cameras simultaneously. Use the buttons on the monitor or the remote control to navigate settings.



The 7-inch HD monitor supports dual split screen mode for comprehensive viewing.

4.2 Parking Lines and Mirror Mode

The system includes adjustable parking lines to assist with precise maneuvering. The mirror mode function allows you to flip the camera image horizontally or vertically as needed.

Parking Lines & Mirror Mode

Precision and Flexibility for Your Workflow



Turn on P-line



Turn off P-line



Parking lines and mirror mode provide flexibility for various viewing preferences.

Parking Line & Mirror Images



Parking lines assist with reversing, and mirror image options adjust the view.

4.3 Night Vision

The camera is equipped with IR night vision, providing clear black and white images in low-light conditions or at night with minimal ambient light.



Crystal-Clear Black & White Night Vision – See Every Detail in the Dark



Crystal-clear black and white night vision allows for visibility in dark environments.

Ultra HD black and white night vision ensures details are visible even in darkness.

4.4 Circular Video Recording

The system supports circular video recording, which can capture incidents and provide evidence. Videos can be played back on the monitor or on a computer using an SD card (32GB-128GB SDXC SD card supported, not included).

Loop Recording

When the SD card is full, it will automatically overwrite the previous content.

32-128GB SD Card (no included)

Playback

5H 16GB 10H 32GB 15H 64GB 20H 128GB

The system supports loop recording to an SD card for continuous video capture.

4.5 Viewing Modes

The system offers two primary viewing modes:

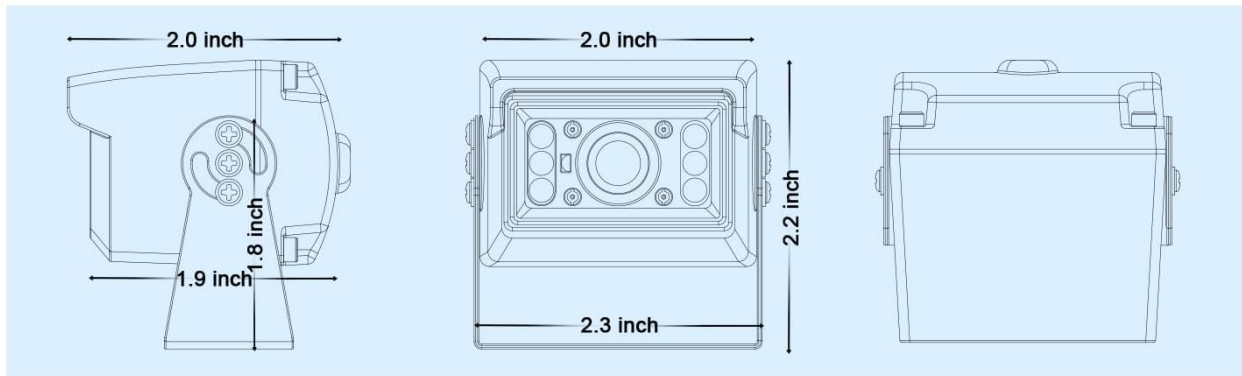
- **Reversing Mode:** When the trigger wire is connected and activated (e.g., by shifting into reverse), the monitor automatically displays the camera feed.
- **Continuous On Mode:** The monitor can be set to display the camera feed continuously while the vehicle is operating.

5. MAINTENANCE

To ensure the longevity and optimal performance of your Fookoo backup camera system, follow these maintenance guidelines:

- **Cleaning:** Regularly clean the monitor screen and camera lens with a soft, damp cloth. Avoid abrasive cleaners that could scratch surfaces.
- **Waterproof Design:** The camera boasts an IP69K waterproof rating, making it resistant to high-pressure, high-temperature water jets and dust. This allows for operation in various weather conditions.
- **Vibration Resistance:** The camera has a 10G vibration-proof rating, ensuring normal operation even under strong vibrations common in heavy machinery.
- **Cable Inspection:** Periodically check all cables and connections for signs of wear, damage, or corrosion. Ensure all 4-pin connectors are securely threaded.
- **Environmental Protection:** While durable, avoid exposing the system to extreme temperatures beyond its operating range (-4°F to 176°F) for extended periods.

IP69 Level Waterproof



The camera features an IP69 waterproof design for durability in harsh conditions.



The IP69K waterproof rating ensures reliable operation in rain and other wet environments.

Rock-Solid Stability

Capture Clearer Footage with Anti-Shake Tech



The 10G vibration-proof design ensures stable performance in demanding environments.



The 8G vibration-proof feature ensures reliable operation across diverse vehicle types and terrains.

6. TROUBLESHOOTING

If you encounter issues with your Fookoo backup camera system, consider the following common solutions:

- **No Image on Monitor:**

- Check all power connections (Red, Yellow, Black wires) to ensure they are secure and receiving power.
- Verify that the 4-pin camera cable is securely connected to both the camera and the monitor.
- Ensure the monitor is powered on.

- **Flickering or Distorted Image:**

- Inspect the 4-pin cable for any damage or loose connections.
- Check for potential electromagnetic interference from other vehicle electronics. Try rerouting cables if possible.

- **Night Vision Not Working:**

- Ensure the camera lens is clean and unobstructed.
- Verify that there is some ambient light for the IR sensors to function effectively (night vision provides black and white images, not full color in complete darkness).

- **Recording Issues:**

- Ensure an SDXC SD card (32GB-128GB) is properly inserted into the monitor.
- Check if the SD card is full; the system supports circular recording, but a full card might prevent new recordings if the overwrite function is not enabled or functioning.
- Format the SD card if issues persist.

If these steps do not resolve the issue, please refer to the Warranty and Support section for assistance.

7. SPECIFICATIONS

Brand	Fookoo
Model Number	DY701
Screen Size	7 Inches
Video Capture Resolution	1080p
Real Angle of View	120 Degrees
Optical Sensor Technology	CMOS
Optical Sensor Size	1/2.7 inch
Voltage	9-35 Volts DC
Waterproof Rating	IP69K
Vibration-Proof Rating	10G
Operating Temperature	-4°F to 176°F
Connector Type	Waterproof Aviation 4-pin
Compatible Devices	Fookoo Backup Camera
Product Dimensions	8"L x 3.5"W x 11"H

8. WARRANTY AND SUPPORT

Fookoo is committed to providing high-quality products and customer satisfaction.

- **Warranty:** This product comes with a 2-year warranty.
- **Replacement Support:** We offer 24-month replacement support for any defects.
- **Lifetime After-Sales Service:** Fookoo provides lifetime after-sales service for this product.
- **Contact Support:** If you encounter any defects, require cables of other lengths, or need assistance, please contact Fookoo customer service immediately. We are available online 24 hours a day to address your concerns.