

[Manuals.plus](#) /

› [ERYE](#) /

› ERYE U-Shaped Sleeper Sectional Sofa User Manual

ERYE U-Shaped Sleeper Sectional Sofa

ERYE U-Shaped Sleeper Sectional Sofa User Manual

Model: U-Shaped Sleeper Sectional Sofa

Brand: ERYE

IMPORTANT SAFETY INFORMATION

Please read all instructions carefully before assembly and use. Keep this manual for future reference.

- Ensure all components are securely fastened before use.
- Do not stand on the sofa or chaise.
- Keep small children and pets away from moving parts during conversion.
- Avoid placing hot items directly on the fabric or wooden surfaces.
- Do not exceed the maximum weight capacity of 300 LBS per seat.

PRODUCT OVERVIEW

The ERYE U-Shaped Sleeper Sectional Sofa is a versatile furniture piece designed for comfort and functionality. It features a convertible pull-out bed, integrated storage chaise, side storage shelves, and convenient USB charging ports.



Figure 1: ERYE U-Shaped Sleeper Sectional Sofa, Dark Grey.

Key Features:

- **3-in-1 Convertible Sofa:** Easily transforms from a U-shaped sofa to a sleeper bed.
- **Wide Armrests with Storage Shelves:** Convenient shelving for books and small items.
- **Hidden Storage Chaise Lounge:** Ample space for blankets, pillows, and other essentials.
- **Two Built-in USB Ports:** Charge electronic devices directly from the armrest.
- **Superior Material:** Constructed with a solid frame, resilient springs, high-density foam, and soft chenille fabric.

Product Video:

Your browser does not support the video tag.

Video 1: Overview of the ERYE U-Shaped Chenille Sleeper Sectional with Cabinet, demonstrating its features and functionality.

PACKAGE CONTENTS

Your ERYE U-Shaped Sleeper Sectional Sofa is shipped in multiple packages. Please ensure all packages are received and all components are present before beginning assembly.

- U-Shaped Sectional Sofabed Components
- 4 Throw Pillows
- Assembly Hardware (typically included within one of the packages)

Note: Assembly tools are not included. Please prepare necessary tools such as a screwdriver or wrench if required by the assembly instructions.

SETUP AND ASSEMBLY

Assembly is required for this product. It is recommended that **two people** participate in the assembly process to ensure safety and ease of construction.

Assembly Steps:

1. Unpack all components and verify against the package contents list.
2. Lay out all parts on a clean, soft surface to prevent scratches.
3. Follow the detailed assembly diagrams provided in the separate assembly guide (not included in this manual) to connect the sectional pieces.
4. Attach the legs to the base of each section.
5. Securely connect all sectional pieces using the provided connectors.
6. Place the back cushions onto the sofa frame. Note that back cushions are removable and attach via Velcro. Seat cushions are non-removable.
7. Position the throw pillows as desired.

SIZE: INCH

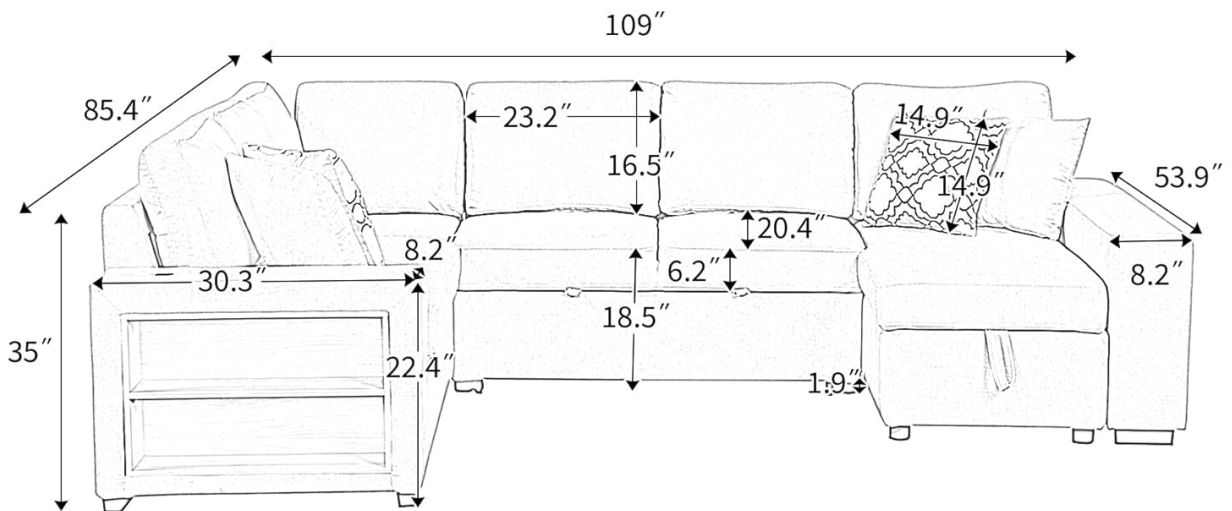
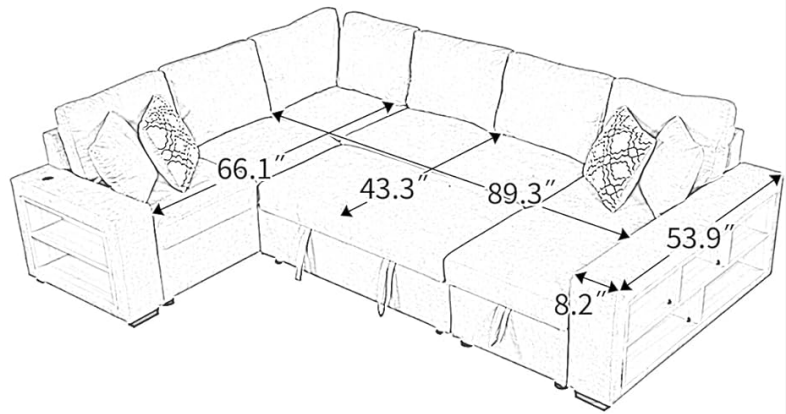


Figure 2: Product dimensions for assembly reference.



Figure 3: Front view of the assembled sofa.

OPERATING INSTRUCTIONS

Converting to Sleeper Bed:

To convert the sofa into a sleeper bed, locate the handle straps on the pull-out section. Gently pull the section outwards. The movable wheels at the bottom will facilitate a smooth extension. Push the section back in to return to sofa configuration.

Side Storage Shelf

Allowing you to place your favorite books and other small items while maintaining an organized living space.



2 Built-in USB Ports

Offering you an access to charge your electronic devices by your side.



4 Back Pillows

Providing excellent support for your back and lumbar, with detachable covers for easy cleaning.



Figure 4: Sofa converting to a sleeper bed.

Using the Hidden Storage Chaise Lounge:

Lift the top cushion of the chaise lounge to access the spacious storage compartment underneath. This area is ideal for storing blankets, pillows, and other household items.

Storage Chaise Lounge



Blanket



Pillow



Toy



Clothing



Figure 5: Hidden storage within the chaise lounge.

Utilizing Side Storage Shelves:

The armrests feature integrated shelves. These open compartments are suitable for organizing books, magazines, remote controls, or decorative items.



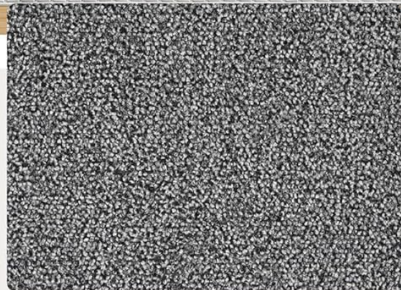
Figure 6: Side storage shelves.

Using Built-in USB Ports:

Two USB ports are conveniently located on one of the armrests. Connect your electronic devices to these ports for charging while relaxing on the sofa.



Wide Armrest



Soft Chenille Fabric



Sturdy Construction

Figure 7: Built-in USB charging ports.

MAINTENANCE AND CARE

Proper care will extend the life and appearance of your sofa.

- **Cleaning:** Clean gently. For spills, blot immediately with a clean, dry cloth. Avoid harsh chemicals.
- **Cushions:** The back cushions are removable and feature zippered covers for cleaning. The seat cushions are non-removable.
- **Fabric:** The chenille fabric is soft, durable, and wear-resistant. Regular vacuuming with an upholstery

attachment can help maintain its appearance.

- **Frame:** Periodically check all bolts and screws to ensure they remain tight.

TROUBLESHOOTING

If you encounter any issues with your sofa, please refer to the following common solutions:

- **Squeaking Noises:** Check all connections and tighten any loose bolts.
- **Difficulty Converting Bed:** Ensure no obstructions are present and the mechanism is clean. Apply a silicone-based lubricant to moving parts if necessary.
- **USB Ports Not Working:** Verify the sofa is properly connected to a power source (if applicable, check internal wiring if accessible and safe to do so). Test with a different device and cable.
- **Uneven Seating:** Rotate or fluff removable back cushions regularly to maintain even wear.

For persistent issues, please contact customer support.

SPECIFICATIONS

Attribute	Detail
Brand	ERYE
Model Number	ERYE U-Shaped Sleeper Sectional Sofa
Overall Dimensions	85.4"D x 109"W x 35"H
Seat Height	18.5 Inches
Seat Depth	20.4 inches
Arm Height	22.4 Inches
Weight Capacity	300 LBS/Seat (Total 4200 Pounds)
Seating Capacity	6
Upholstery Material	Chenille
Frame Material	Wood
Fill Material	High-density Foam
Cushion Construction	Foam + Pocket Coil Springs
Assembly Required	Yes (Recommended 2 people)
Additional Features	Convertible, Space Saving, Storage, USB Charging Ports
Color	Dark Grey

WARRANTY AND SUPPORT

Manufacturer Warranty:

This product is covered by a Manufacturer Warranty. Please refer to the warranty documentation included with your purchase for specific terms and conditions, including coverage details and duration.

Customer Support:

For any questions, missing parts, or assistance with assembly or operation, please contact ERYE customer support through the retailer's platform or the official ERYE website. Please have your model number and purchase date available when contacting support.