

## Goldlife Goldlife-PFAL200W

# Goldlife Goldlife-PFAL200W Pond Fountain Aerator Light Instruction Manual

Model: Goldlife-PFAL200W

## INTRODUCTION

---

Thank you for choosing the Goldlife Goldlife-PFAL200W Pond Fountain Aerator Light. This manual provides essential information for the safe and efficient installation, operation, and maintenance of your new fountain light. Please read these instructions thoroughly before use and retain them for future reference.

## SAFETY INFORMATION

---

- Ensure all electrical connections are made by a qualified professional and comply with local regulations.
- Always disconnect power before performing any installation, maintenance, or troubleshooting.
- The product is designed for outdoor use in ponds and lakes. Do not use in salt water or the sea.
- Keep the remote control dry and away from water.
- The light features built-in overheating protection. If the light overheats, it will automatically reduce brightness or shut off until it cools down.

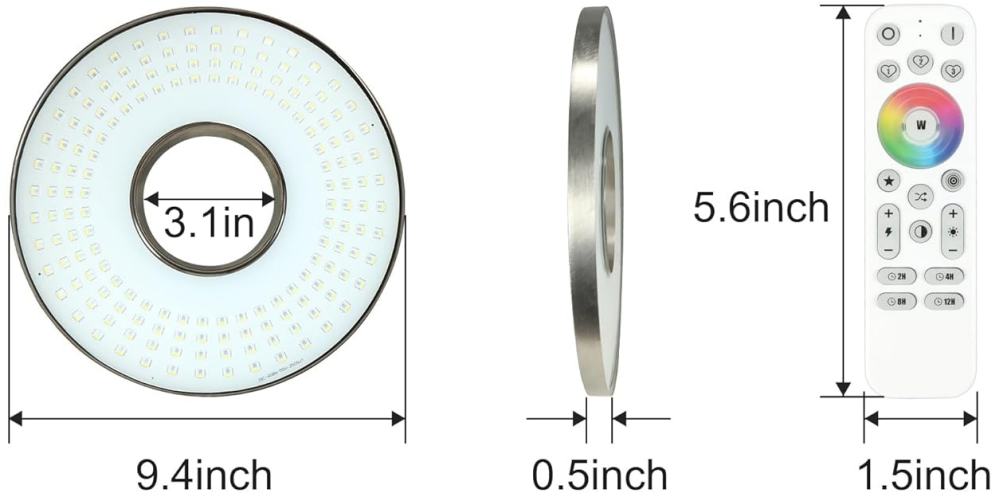
## PACKAGE CONTENTS

---

Verify that all items listed below are included in your package:

- 1x Goldlife Pond Fountain Aerator Light
- 1x 100 ft Power Cord
- 1x Transformer (85-265V AC to 36V DC)
- 1x Remote Control (requires 2 x AAA batteries, not included)
- 1x User Manual

# PRODUCT SIZE



## WHAT'S IN THE BOX?



This image displays all components included in the Goldlife Pond Fountain Aerator Light kit: one fountain light, a 100 ft power cord, one transformer, one remote control (requires 2 AAA batteries, not included), and a user manual.

## SPECIFICATIONS

<b>Power</b>	200W
<b>Brightness</b>	20000 Lumens
<b>LED Quantity</b>	160 LEDs
<b>Lighting Angle</b>	360°
<b>Waterproof Rating</b>	IP68
<b>Material</b>	304 Stainless Steel
<b>Power Cord Length</b>	100 ft
<b>Control Method</b>	Wireless Remote Control
<b>Control Distance</b>	Up to 100 ft (extendable with multiple lights)

Lifespan

50000 hours

## ULTRA-BRIGHT RGBW FOUNTAIN PUMP LIGHT

Color-Brightness-Dynamic-Speed Adjustable



RGBW Color



200W 20000LM



160LED Lamp Beads



IP68 Waterproof



Overheat Protection ICs



360-Degree Lighting



304 Stainless Steel



100FT Control Distance



### Transformer

Input Voltage: 85-265V AC, 50/60Hz

Output Voltage: 36V DC

Waterproof: IP65

Cable length: 100FT

This image highlights the key technical specifications and features of the fountain light, such as its RGBW color capability, 200W power output, 20000 lumens brightness, 160 LED lamp beads, IP68 waterproof rating, 304 stainless steel construction, 360-degree lighting, and 100-foot wireless control range.

## SETUP & INSTALLATION

- 1. Prepare the Fountain Pump:** Ensure your Goldlife fountain pump (F1/F2/F3 series) is powered off and safely accessible.
- 2. Remove Nozzle:** Carefully unscrew and remove the existing nozzle from the top of your fountain pump.
- 3. Place Light:** Position the Goldlife-PFAL200W light onto the fountain pump, ensuring it sits securely around the pump's water outlet.
- 4. Reattach Nozzle:** Screw the fountain nozzle back onto the pump, securing the light in place. Ensure the signal wire from the light is not obstructed and remains accessible for optimal remote communication.
- 5. Connect Power:** Connect the 100 ft power cord to the light and the transformer. Plug the transformer into a suitable 85-265V AC power source.
- 6. Install Remote Batteries:** Open the remote control battery compartment and insert 2 x AAA batteries (not

included), observing correct polarity.

7. **Pair Remote:** Within 10 seconds of turning on the fountain light, press and hold the 'I' (Pairing) button on the remote for 3 seconds. The light will flash green twice to indicate successful pairing. To unpair, hold the 'O' button for 3 seconds; the light will flash red twice.



This diagram illustrates the assembly process: remove the nozzle from the fountain pump, place the light onto the pump body, reattach the nozzle to secure the light, and connect the power cables. The signal wire should remain accessible for remote control.

This official seller video provides a comprehensive guide to the Goldlife Pond Fountain Aerator Light F0. It covers the unboxing, step-by-step installation onto a compatible fountain pump, battery insertion into the remote control, pairing the remote with the light, and a demonstration of various color and mode selections using the remote. The video also shows the light in action in a pond during dusk and night, highlighting its vibrant effects.

## OPERATING INSTRUCTIONS

The Goldlife-PFAL200W light is controlled wirelessly via the included remote. Ensure the remote is paired with the light before operation.

# ONE REMOTE CONTROL MULTIPLE LIGHTS

Lights of Same Remote Can Sync Wirelessly

2xAAA Batteries Not Included

## 1 Pairing & Unpairing

Within 10s of turning on the light,

- ▶ Pairing: Long-press "I" 3s+, green flashes twice → Success
- ▶ Unpairing: Long-press "O" 3s+, red flashes twice → Success

## 2 DIY Mode

Press and hold for 3s+ to save the current mode.

Short press to invoke.

## 3 Countdown To Turn Off The Lights

- ▶ Setting: Long-press 3s, 2 green flashes → Success
- ▶ Cancel: Long-press 3s, 2 red flashes → Success



Turn On  
Turn Off  
DIY Mode

Single Color  
Color Ring  
Flashing

Breathing

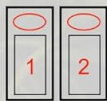
Random

Speed Control

Brightness Control

Color Temperature

Timer Shutdown



Wireless Grouping



Wireless Sync



Power-Off Memory



Million Colors

The remote control features buttons for power, white light, color selection ring, flashing mode, breathing mode, random mode, speed control, brightness adjustment, color temperature, and timer settings (2H, 4H, 8H, 12H). It also includes memory buttons for saving preferred settings.

- **Power ON/OFF:** Press the **Power** button to turn the light on or off.
- **Color Selection:**
  - **Color Ring:** Slide your finger around the **Color Ring** on the remote to select from millions of custom colors.
  - **White Light:** Press the **W** button for pure white light.
- **Light Modes:**
  - **Flashing Mode:** Activates a dynamic flashing sequence.
  - **Breathing Mode:** Creates a gradual dimming and brightening effect.
  - **Random Mode:** Cycles through various colors and effects randomly.
- **Brightness Adjustment:** Use the **Sun** icons (+/-) to increase or decrease the light's brightness.
- **Speed Control:** Use the **Lightning Bolt** icons (+/-) to adjust the speed of flashing or breathing modes.
- **Color Temperature:** Adjusts the warmth or coolness of the white light.
- **Timer Settings:** Select 2H, 4H, 8H, or 12H buttons to set an automatic shut-off timer for the light.

- **Memory Feature:** The light has power-off memory, restoring the previous operation mode upon power-on. You can also save up to three favorite settings using the heart-shaped buttons.

## MAINTENANCE

---

- **Cleaning:** Periodically clean the light's surface to remove any algae or debris that may accumulate. Use a soft cloth and fresh water. Do not use harsh chemicals or abrasive materials.
- **Overheat Protection:** The built-in overheat protection ICs will automatically recover when the light cools down. To prevent frequent activation, ensure the fountain pump is always running before the light is activated to provide adequate water circulation for cooling.
- **Storage:** If storing the light for an extended period, clean it thoroughly, disconnect all power, and store it in a dry, cool place away from direct sunlight.



The Goldlife Pond Fountain Aerator Light enhances the visual appeal of your pond with its vibrant, color-changing illumination.

## TROUBLESHOOTING

---

If your light becomes unresponsive, try the following steps:

1. **External Interference:** Move closer to the light with the remote control to rule out signal interference.
2. **Remote Battery:** Check if the remote control indicator light is functioning normally. Replace AAA batteries if depleted.
3. **Reset Light:** Turn off the light for one minute, then turn it back on. Immediately press the remote control buttons in sequence: **Power**, **W**, and **Color Ring** to see if it operates normally.
4. **Re-pair Device:** Follow the pairing instructions in the Setup & Installation section to re-pair the remote with the light.

If none of the above methods resolve the issue, please contact Goldlife customer support for further assistance.

## WARRANTY & SUPPORT

---

For warranty information, technical support, or any product-related inquiries, please refer to the contact details provided in your product packaging or visit the official Goldlife website. Our customer service team is dedicated to providing prompt and effective solutions.

