

UGREEN LP986

UGREEN LP986 Magnetic Car Phone Mount Instruction Manual

Model: LP986

INTRODUCTION

Thank you for choosing the UGREEN LP986 Magnetic Car Phone Mount. This device offers a secure and convenient way to hold your smartphone in your vehicle, featuring a strong magnetic grip and flexible installation options for both air vents and dashboards. Please read this manual carefully to ensure proper installation and optimal performance.

WHAT'S IN THE BOX

- 1x UGREEN Magnetic Car Phone Mount
- 1x Air Vent Clip Attachment
- 1x Dashboard Adhesive Base Attachment
- 2x Metal Rings (for non-MagSafe devices)

PRODUCT FEATURES

- **2-in-1 Installation:** Offers versatile mounting options for either your car's air vent or dashboard.
- **Unshakable Magnetic Grip:** Equipped with N52 magnets providing 2500g holding force to secure your phone even on rough roads.
- **Enhanced Stability:** The air vent hook features a built-in metal structure for increased stability, and the upgraded air vent clip ensures a secure hold.
- **360° Adjustable Viewing:** Easily switch between portrait and landscape orientations and find your preferred viewing angle with one-hand adjustment.
- **Universal Compatibility:** Compatible with iPhone 12, 13, 14, 15, 16, 17 series and official MagSafe cases. Includes additional metal rings for compatibility with Android smartphones or non-MagSafe cases.

SETUP

1. Air Vent Installation

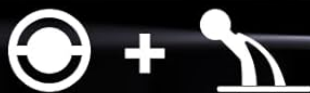
1. Identify a suitable air vent. The mount is designed for vertical and horizontal vents. Avoid round or unusually shaped vents.
2. Attach the air vent clip to the main magnetic mount unit.
3. Insert the air vent clip firmly into one of your car's air vent blades. Ensure the hook is securely latched to prevent movement.

2-in-1 Magsafe Car Mount

Mount it Anywhere



**Air Vent
Magsafe Car Mount**



**Dashboard
Magsafe Car Mount**



Image: The UGREEN magnetic car phone mount securely attached to a car's air vent.



Image: Visual guide indicating compatible air vent designs (vertical and horizontal slats) and incompatible designs (round or complex shapes).

2. Dashboard Installation

1. Choose a flat, clean surface on your dashboard. Ensure the area is free from dust, oil, and moisture.
2. Peel off the protective film from the 3M adhesive base.
3. Press the adhesive base firmly onto the chosen dashboard surface for at least 30 seconds. Allow 24 hours for the adhesive to fully cure before attaching the phone mount.

3M Super Strong Adhesives

Never Worry About Dropping



Image: The UGREEN magnetic car phone mount attached to a car's dashboard using its adhesive base.

Work Without Metal Ring

iPhone 16/15/14/13/12 series



With Metal Ring or Magsafe Phone Case

Galaxy S25/S24/S23 series, Pixel 9/8/7 series & Other Android Phones



Image: Illustrations showing suitable surfaces for dashboard mounting, such as glass, plastic, and faux leather.

360° Adjust Freely

Find Your Perfect Angle

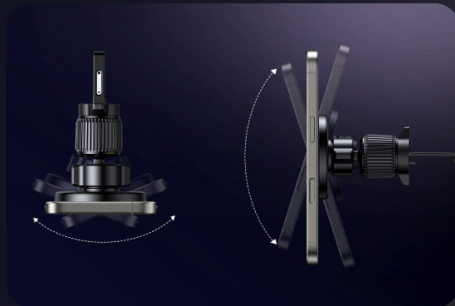


Image: A car interior showing multiple potential locations on the dashboard where the phone mount can be installed.

OPERATING INSTRUCTIONS

1. Attaching Your Phone

- For MagSafe-compatible iPhones (iPhone 12-17 series) or cases: Simply bring your phone close to the magnetic surface of the mount. The magnets will automatically align and secure your device.
- For non-MagSafe phones or cases: Attach one of the provided metal rings to the back of your phone or phone case. Ensure the ring is centered for optimal magnetic connection. Then, bring your phone close to the magnetic surface of the mount.

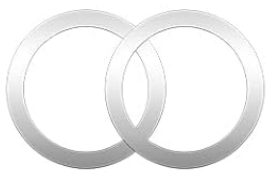
One-hand Operation

Everything in Control



Image: A hand demonstrating the one-hand operation of attaching a smartphone to the magnetic car mount.

Optimized for MagSafe



For Non-MagSafe Phones/Cases

Image: A visual representation showing how MagSafe-compatible iPhones connect directly, while other smartphones require an included metal ring for magnetic attachment.

2. Adjusting Viewing Angle

- The mount features a ball joint that allows for 360° rotation. Gently pivot your phone to achieve your desired portrait or landscape orientation.
- Adjust the angle of the mount to optimize your view for navigation or calls.

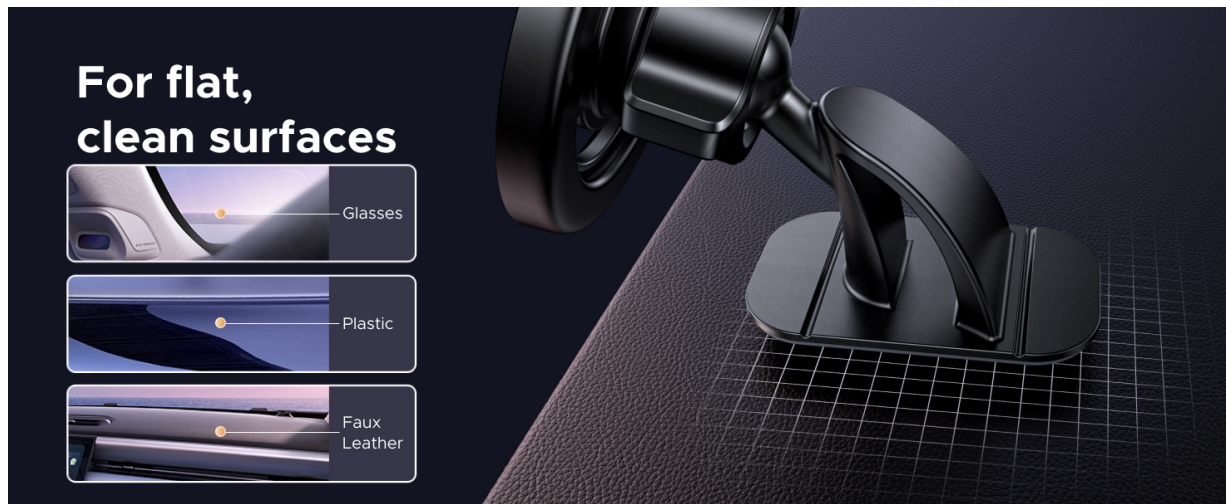


Image: A diagram illustrating the full 360-degree rotation and tilt capabilities of the phone mount for flexible viewing angles.

MAINTENANCE

- Keep the magnetic surface clean and free of debris to ensure a strong connection.
- Wipe the mount with a soft, damp cloth as needed. Avoid harsh chemicals or abrasive cleaners.
- Periodically check the stability of the air vent clip or dashboard adhesive to ensure it remains securely attached.

TROUBLESHOOTING

1. Phone Not Holding Securely

- **Check for obstructions:** Ensure there is no foreign material between your phone/case and the magnetic mount.
- **Verify MagSafe compatibility:** If using a non-MagSafe phone or case, ensure the metal ring is properly attached and centered.
- **Case thickness:** Very thick phone cases may weaken the magnetic connection. Consider a thinner case or attaching the metal ring to the outside of the case.

2. Mount Detaching from Air Vent/Dashboard

- **Air Vent:** Ensure the air vent clip is fully inserted and the hook is securely latched onto a vent blade.
- **Dashboard:** Re-clean the dashboard surface thoroughly with an alcohol wipe and allow it to dry completely before re-applying the adhesive base. Ensure sufficient curing time (24 hours) before use.

SPECIFICATIONS

Brand	UGREEN
Model Name	LP986
Model Number	85397
Mounting Type	Vent, Dashboard
Compatible Devices	Smartphones (iPhone 12-17 series, Android with metal rings)

Material	Metal
Item Weight	0.11 Kilograms

product Size



Image: Detailed dimensions of the UGREEN magnetic car phone mount, including the magnetic head (2.3 inches diameter) and dashboard base (2.06 inches wide, 1.40 inches high).

SAFETY INFORMATION

- Do not install the mount in a location that obstructs your view of the road or interferes with airbag

deployment.

- Ensure your phone is securely attached to the mount before driving.
- Avoid adjusting the mount or your phone while driving to prevent distractions.
- Keep out of reach of children.

WARRANTY AND SUPPORT

UGREEN products come with a standard warranty. For detailed warranty information, technical support, or customer service inquiries, please visit the official UGREEN website or contact their customer support team directly. Please have your product model number (LP986) and purchase information ready when contacting support.