

[Manuals.plus](#) /

> [pasapair](#) /

> Pasapair Electric Patio Heater - Smart Infrared Indoor/Outdoor Heater User Manual (Model QHA-15W-WIFI)

pasapair QHA-15W-WIFI

Pasapair Electric Patio Heater User Manual

Model: QHA-15W-WIFI

Brand: pasapair

1. INTRODUCTION

Thank you for choosing the Pasapair Electric Patio Heater. This smart infrared heater is designed for both indoor and outdoor use, providing efficient and comfortable warmth. Featuring APP control, a 24-hour timer, and multiple heating modes, it offers convenience and safety. Please read this manual thoroughly before installation and operation to ensure proper use and to maintain product longevity.

2. IMPORTANT SAFETY INSTRUCTIONS

To reduce the risk of fire, electric shock, or injury, always follow these basic precautions:

- Read all instructions before using this heater.
- This heater is hot when in use. To avoid burns, do not let bare skin touch hot surfaces.
- Extreme caution is necessary when any heater is used by or near children or invalids and whenever the heater is left operating and unattended.
- Do not operate any heater with a damaged cord or plug or after the heater malfunctions, has been dropped or damaged in any manner.
- Do not use outdoors if not specifically designed for outdoor use. This Pasapair heater is IP65 water resistant and CSA certified for outdoor use.
- Do not run cord under carpeting. Do not cover cord with throw rugs, runners, or similar coverings. Arrange cord away from traffic area and where it will not be tripped over.
- To disconnect heater, turn controls to off, then remove plug from outlet.
- Do not insert or allow foreign objects to enter any ventilation or exhaust opening as this may cause an electric shock or fire, or damage the heater.
- To prevent a possible fire, do not block air intakes or exhaust in any manner. Do not use on soft surfaces, like a bed, where openings may become blocked.
- A heater has hot and arcing or sparking parts inside. Do not use it in areas where gasoline, paint, or flammable vapors

or liquids are used or stored.

- Use this heater only as described in this manual. Any other use not recommended by the manufacturer may cause fire, electric shock, or injury to persons.
- This heater includes an overheat protection feature that automatically shuts off the unit if it becomes too hot.
- The child lock function enhances safety, preventing unintended operation.
- **DO NOT COVER** the heater during operation.

Electrical Safety: Ensure the heater is connected to a properly grounded outlet. Avoid overloading electrical circuits. If using multiple heaters, distribute them across different circuits to prevent tripping breakers.

3. SETUP AND INSTALLATION

The Pasapair Electric Patio Heater is designed for wall mounting, offering a space-saving and efficient heating solution. Follow these steps for installation:

3.1 Package Contents

- Pasapair Electric Patio Heater
- Remote Control
- Mounting Brackets
- Screws and Wall Anchors
- User Manual

3.2 Choosing an Installation Location

- Ensure the mounting surface is sturdy and can support the weight of the heater (approximately 8.18 pounds).
- Maintain a minimum distance of 0.5 meters (19.7 inches) from any adjacent wall.
- The bottom of the heater should be at least 2.4 meters (94.5 inches) from the floor.
- Do not install the heater facing vertically towards the floor. It should be mounted horizontally or at an angle to direct heat effectively.
- Consider the location of electrical outlets to ensure the power cord can reach without requiring an extension cord, or use an appropriate outdoor-rated extension cord if necessary.

Easy to Install

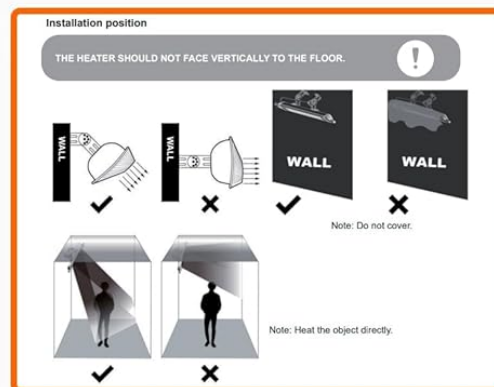
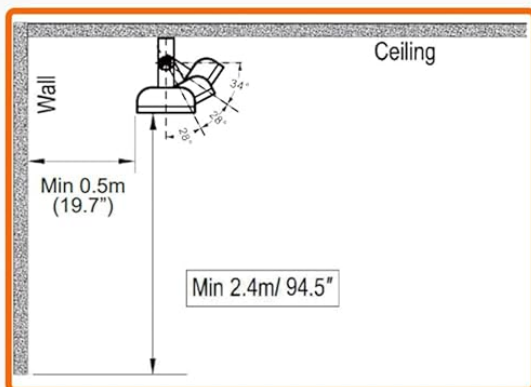
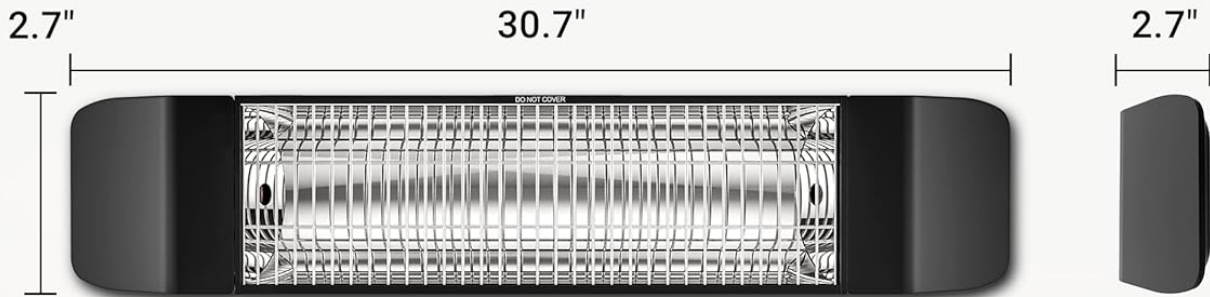


Image: Installation components, dimensions (30.7" length, 2.7" height/depth), and mounting guidelines for the Pasapair Electric Patio Heater.

3.3 Mounting Steps

1. Mark the desired mounting points on the wall according to the bracket dimensions.
2. Drill pilot holes and insert wall anchors if mounting into drywall or masonry.
3. Secure the mounting brackets to the wall using the provided screws.
4. Attach the heater to the secured brackets, ensuring it is firmly in place.
5. Plug the heater into a suitable electrical outlet.

4. OPERATING INSTRUCTIONS

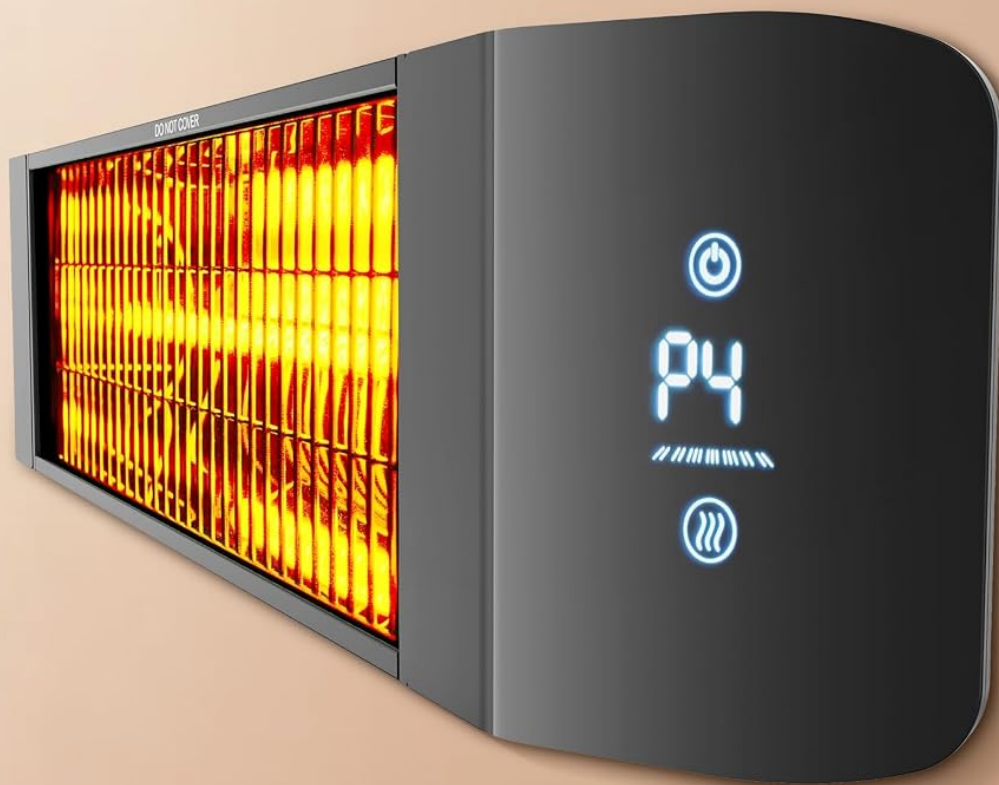
The Pasapair Electric Patio Heater offers convenient control options via remote and a smartphone application.

4.1 Remote Control Operation

- **Power On/Off:** Press the power button on the remote to turn the heater on or off.
- **Adjust Heating Modes:** Use the mode selection buttons (P1, P2, P3, P4) to cycle through the four heating levels. The digital display on the heater will show the current power setting.
- **Timer Function:** Set the 24-hour timer using the dedicated button to schedule automatic shutdown.

High-Definition LED Display with Remote Control

Designed with an operation timer.



24-hour
Timer



Remote
Control

Image: The heater features an LED display for settings and comes with a remote control for convenient operation.

4.2 APP Control (Smart Life App)

For enhanced control and scheduling, connect your heater to the Smart Life app:

1. Download the **Smart Life** app from your smartphone's app store.
2. Register or log in to your Smart Life account.

3. Ensure your heater is powered on and in pairing mode (refer to app instructions for specific pairing steps).
4. Add the device within the app, selecting the appropriate heater model.
5. Follow the on-screen prompts to connect the heater to your **2.4G WiFi network**. (Note: 5G WiFi is not supported).
6. Once connected, you can control power, adjust heating modes, set the 24-hour timer, and create schedules from anywhere.

APP Control from Anywhere

Turn on the heater before arriving home.



Image: Control your Pasapair heater remotely using the Smart Life app on your smartphone.

4.3 Heating Modes and Features

- **Carbon Infrared Technology:** Provides rapid heating, reaching desired warmth within 3 seconds.
- **Four Heating Modes:** Select from 150W, 550W, 850W, or 1500W to suit your comfort needs.
- **Quiet Operation:** Designed for minimal noise (approximately 10dB), ensuring a peaceful environment.
- **Wide Angle Heat Dissipation:** Effectively warms areas between 54-162 sq.ft. For larger spaces, consider installing multiple units.

Carbon Infrared Technology

Warm up your space with fast heating.



Image: The heater utilizes carbon infrared technology for quick heating, offering four power settings.

Quietly Warm Up Cold Nights

Enjoy your warm and comfortable sleeping.



Others
45dB

Old
32dB

Pasapair
10dB*



Image: Enjoy quiet warmth with the Pasapair heater, ideal for undisturbed sleep.

Wide Angle Heat Dissipation

If your garage space is larger and the ambient temperature is lower we recommend that you buy more than one.



Image: The heater offers wide-angle heat dissipation, suitable for various indoor and outdoor spaces.

4.4 Official Product Video

Your browser does not support the video tag.

Video: This official product video demonstrates the Pasapair Electric Patio Heater's smart features, including APP control, 24-hour timer, and quick heating capabilities, highlighting its versatility for indoor and outdoor use.

5. MAINTENANCE

Regular maintenance ensures optimal performance and extends the lifespan of your heater.

- **Cleaning:** Before cleaning, always unplug the heater and allow it to cool completely. Use a soft, damp cloth to wipe the exterior surfaces. Do not use abrasive cleaners or solvents.
- **Storage:** If storing the heater for an extended period, ensure it is clean and dry. Store it in a cool, dry place, preferably in its original packaging to protect it from dust and damage.
- **Inspection:** Periodically check the power cord and plug for any signs of damage. If any damage is found, discontinue use and contact customer support.

6. TROUBLESHOOTING

If you encounter issues with your Pasapair Electric Patio Heater, refer to the following common problems and solutions:

Problem	Possible Cause	Solution
Heater does not turn on.	No power supply; Overheat protection activated; Remote control batteries low.	Check power connection and outlet; Allow heater to cool down; Replace remote control batteries.
APP control not working.	Incorrect WiFi network (5G); Heater not paired; App issues.	Ensure connection to a 2.4G WiFi network; Re-pair the heater with the app; Update or reinstall the Smart Life app.
Heater is not producing enough heat.	Low power setting; Room size too large for single unit; External factors (wind, extreme cold).	Increase heating mode (P4 for maximum heat); Consider adding another unit for larger spaces; Reduce exposure to drafts.
Heater automatically shuts off.	Overheat protection activated; Timer function engaged.	Allow heater to cool down; Check timer settings in the app or via remote.

7. SPECIFICATIONS

Feature	Detail
Brand	pasapair
Model Number	QHA-15W-WIFI
ASIN	B0FGWG3F14
UPC	850074107576
Color	Black
Product Dimensions (Heater Unit)	30.7" L x 2.7" W x 2.7" H (78cm x 6.9cm x 6.9cm)
Item Weight	8.18 pounds (3.71 kg)
Mounting Type	Wall Mount
Fuel Type	Electric

Feature	Detail
Heating Technology	Carbon Infrared
Heating Modes	4 (150W, 550W, 850W, 1500W)
Fast Heating	3 seconds
Noise Level	Approx. 10dB (Whisper-quiet)
Timer	24-hour timer
Control Options	Remote Control, Smart Life APP (2.4G WiFi only)
Water Resistance	IP65 Certified
Certifications	CSA Certified
Recommended Coverage Area	54-162 sq.ft
Usage Environment	Indoor/Outdoor (Garage, Garden, Home, Office, Patio, Study Room)

8. WARRANTY AND SUPPORT

For warranty information and customer support, please refer to the documentation included with your purchase or contact the manufacturer directly. Keep your proof of purchase for any warranty claims.

- **Manufacturer:** pasapair
- **Contact:** Refer to the official pasapair website or your retailer for contact details.