

[Manuals.plus](#) /

> [pasapair](#) /

> Pasapair TSH-RH2 1500W Outdoor Hanging Infrared Patio Heater User Manual

pasapair TSH-RH2

Pasapair TSH-RH2 1500W Outdoor Hanging Infrared Patio Heater User Manual

Model: TSH-RH2 | Brand: Pasapair

1. INTRODUCTION

This manual provides essential information for the safe and efficient operation of your Pasapair TSH-RH2 1500W Outdoor Hanging Infrared Patio Heater. Please read all instructions carefully before installation and use. This heater is designed to provide rapid and quiet warmth for outdoor spaces such as patios, gazebos, and porches, featuring a durable carbon heating tube and an industrial-style design.

2. SAFETY PRECAUTIONS

WARNING: To reduce the risk of fire, electric shock, or injury, observe the following:

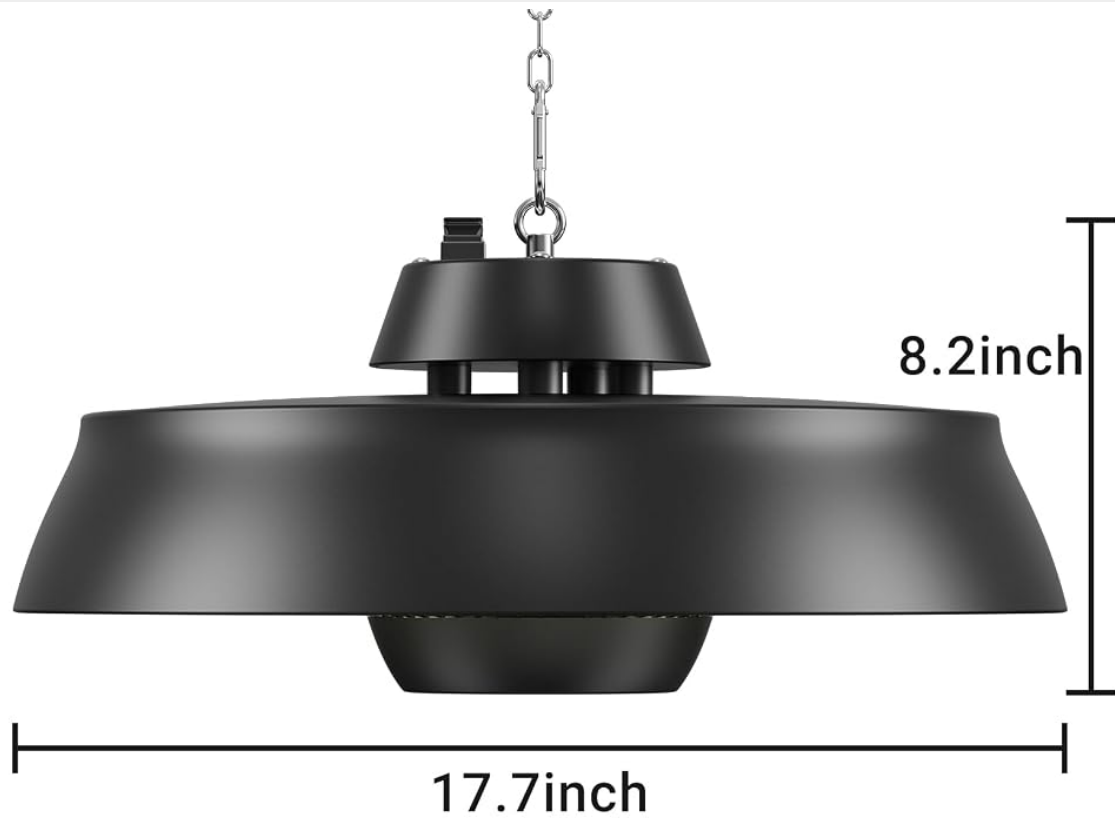
- Ensure the heater is properly grounded.
- Do not install the heater on an inflammable surface.
- Maintain a minimum distance of 19.7 inches (50 cm) between the heater and surrounding objects.
- Ensure a minimum distance of 94.5 inches (240 cm) from the heater to the ground.
- Ensure a minimum distance of 23.6 inches (60 cm) from the heater to the ceiling.
- Always disconnect the heater from the electricity supply before cleaning or maintenance.
- The heater is IP24 water-resistant, suitable for outdoor use, but avoid direct exposure to heavy rain.
- Features overheat protection for enhanced safety.
- The remote control includes a child lock function, prioritizing safety for families with kids and pets.

3. PACKAGE CONTENTS

Verify that all components are present and undamaged:

- Infrared Hanging Heater Unit

- Hanging Chain (adjustable height)
- Carabiners (for hanging)
- Remote Control
- Remote Control Holder (optional)
- Mounting Hardware (screws, plastic anchors)
- User Manual



Easy to Install Wall Mounting

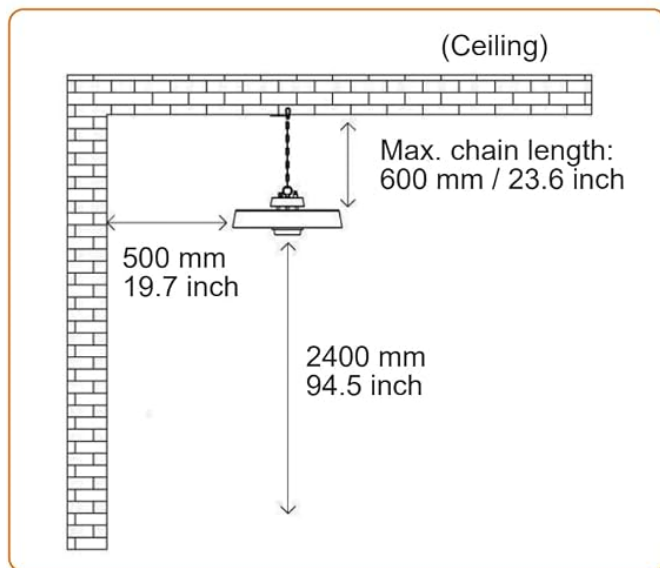


Image: Pasapair Patio Heater components including the heater unit, hanging chain, remote control, and mounting hardware.

Video: This video demonstrates the unboxing of the Pasapair Patio Heater, showcasing its components including the heater unit, hanging chain, remote control, and user manual.

4. INSTALLATION

The Pasapair TSH-RH2 heater is designed for ceiling mounting. Ensure the support rail is durable and firm enough to hold the heater's weight and that the supply cord will not be stressed.

1. **Prepare Mounting Location:** Select a suitable ceiling location, ensuring it meets the minimum distance requirements from walls (19.7 inches / 50 cm), floor (94.5 inches / 240 cm), and ceiling (23.6 inches / 60 cm).
2. **Attach Chain:** Securely attach one end of the provided hanging chain to the top of the heater unit using a carabiner.
3. **Mount to Ceiling:** Loop the other end of the chain around a sturdy ceiling hook or support structure. Use the provided mounting hardware (screws, plastic anchors) to install the hook if not already present.
4. **Adjust Height:** Adjust the chain length to achieve the desired height, ensuring all safety distance requirements are met.
5. **Connect Power:** Plug the power cord into a suitable outdoor-rated electrical outlet.



Image: Detailed installation steps for the Pasapair Patio Heater, illustrating how to attach the chain and recommended safety distances from walls, floor, and ceiling.

5. OPERATION

Your Pasapair heater can be operated via the integrated switch or the remote control.

5.1 Initial Setup

1. **Power On:** Locate the main power switch on the top of the heater unit. Flip the switch to the "ON" position. A green indicator light will illuminate on the heater's underside, indicating it is ready for operation.
2. **Remote Control Batteries:** Insert 2 AAA batteries (not provided) into the remote control.

5.2 Using the Remote Control

The remote control allows convenient adjustment of settings from a distance. The heater features 3-second fast heating.

- **Power Button:** Press to turn the heater ON or OFF.
- **Heat Level 1 (650W):** Press the '1' button to activate the lower heating level (650 Watts).
- **Heat Level 2 (1500W):** Press the '2' button to activate the higher heating level (1500 Watts).
- **Child Lock:** To activate the child lock, press and hold the lock button for 3 seconds. This prevents accidental changes to settings. To unlock, press and hold the lock button again for 3 seconds.

Video: This video demonstrates the remote control operation of the Pasapair Patio Heater, including how to switch between 650W and 1500W heating modes and activate the child lock.



Image: The Pasapair Patio Heater in use, demonstrating remote control functionality and highlighting key safety features like ETL certification and overheat protection.



Image: Visual representation of the Pasapair Patio Heater's 3-second fast heating capability and its two adjustable heating levels (650W and 1500W).

6. CLEANING AND MAINTENANCE

Regular cleaning and maintenance ensure optimal performance and longevity of your heater.

- Always unplug the heater and allow it to cool completely before cleaning.
- Wipe the exterior surfaces with a soft, damp cloth. Do not use abrasive cleaners or solvents.
- Ensure no water enters the interior of the heater.
- Periodically check the power cord for any signs of damage.
- Store the heater in a dry, protected area when not in use for extended periods.

7. TROUBLESHOOTING

Problem	Possible Cause	Solution
Heater does not turn on.	No power supply; Main switch off; Remote batteries dead.	Check power outlet; Ensure main switch is ON; Replace remote batteries.

Problem	Possible Cause	Solution
Heater turns off unexpectedly.	Overheat protection activated.	Unplug, allow to cool, check for obstructions, then restart.
Remote control not working.	Dead batteries; Child lock activated.	Replace batteries; Deactivate child lock (hold lock button for 3 seconds).

8. TECHNICAL SPECIFICATIONS

- **Brand:** Pasapair
- **Model:** TSH-RH2
- **Heat Output:** 650W / 1500W (2 adjustable levels)
- **Power Source:** Electric
- **Voltage:** 120V
- **Frequency:** 60Hz
- **Special Features:** Digital Display, On/Off Timer, Overheat Protection, Remote Control, Child Lock, Quiet Operation
- **Water Resistance:** IP24 (Weatherproof)
- **Mounting Type:** Ceiling Mount
- **Product Dimensions:** 20.2"D x 19.8"W x 10.1"H
- **Item Weight:** 9.28 pounds
- **Certifications:** ETL Certified

9. WARRANTY AND SUPPORT

For warranty information or technical support, please refer to the contact details provided with your purchase documentation or visit the official Pasapair website. Keep your purchase receipt as proof of purchase.

