



Manuals.plus /

› COFaR /

› COFaR Metal Wardrobe Cabinet Instruction Manual

## COFaR Metal Cabinet

# COFaR Metal Wardrobe Cabinet Instruction Manual

Model: Metal Cabinet

### IMPORTANT SAFETY INFORMATION

---

Please read all instructions carefully before assembly and use. Keep this manual for future reference.

- **Anti-Tipping Kit:** Always secure the wardrobe to the wall using the provided anti-tipping kit to prevent accidental tipping. This is crucial for the safety of children and pets.
- **Adjustable Feet:** Be cautious when adjusting the feet to avoid pinch hazards. Ensure the wardrobe is stable on an even surface.
- **Weight Capacity:** Do not exceed the total weight capacity of 600 pounds. Distribute weight evenly across shelves and hanging rods.
- **Assembly:** Assembly requires two adults. Follow the instructions precisely to ensure structural integrity.



Figure 1: The anti-tipping kit is essential for securing the wardrobe to the wall, preventing hazards.

## PRODUCT OVERVIEW

---

The COFaR Metal Wardrobe Cabinet is designed for versatile storage in various rooms. It features a durable steel construction with a modern farmhouse aesthetic.



Figure 2: The COFaR Metal Wardrobe Cabinet, featuring a clean white finish and golden handles.

## Information Display

Total Weight Capacity: **600 Pounds**

Adjustable Shelves: **x 1**

Full Size Drawers: **x 2**

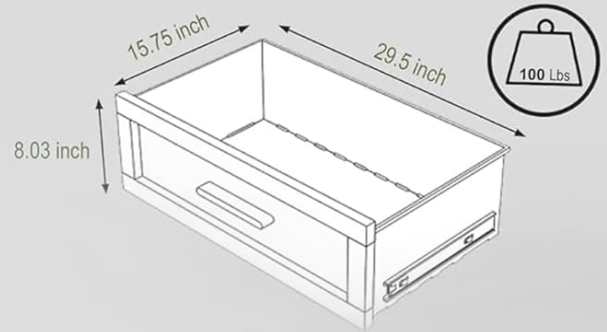


Figure 3: Detailed dimensions and internal layout of the wardrobe, including drawer size and overall height.

## SETUP AND ASSEMBLY

This wardrobe requires assembly. Detailed installation instructions are included in the package. Please ensure all parts are present before beginning assembly.

### Preparation

- Clear a large, flat area for assembly.
- Unpack all components and verify against the parts list in the included manual.
- Gather necessary tools (typically a screwdriver and possibly a hammer, as specified in the manual).

### Assembly Steps

1. Follow the step-by-step diagrams and instructions provided in your product's specific assembly manual.
2. Ensure all connections are secure but do not overtighten screws to avoid damaging the material.

3. Install the hanging rod and adjustable shelves according to your desired configuration.
4. Attach the barn doors and install the full-size drawers.
5. Once assembled, attach the anti-tipping kit to a wall stud using appropriate hardware.



Figure 4: The built-in hanging rod for clothes storage.



Figure 5: The adjustable shelf system allows for flexible storage configurations.

## Adjusting the Feet

The wardrobe is equipped with adjustable feet to ensure stability on uneven surfaces. Carefully turn each foot clockwise or counter-clockwise until the cabinet is level and stable. Ensure the anti-tipping mechanism is still effective after adjustment.



Figure 6: Adjustable feet provide stability on uneven floors.

## OPERATING INSTRUCTIONS

---

The COFaR Metal Wardrobe Cabinet offers versatile storage options to organize your belongings.

### Storage Features

- **Hanging Rod:** Use the integrated hanging rod for clothes that require hanging, such as shirts, dresses, and coats. The deeper depth of the cabinet helps prevent wrinkles.
- **Adjustable Shelves:** The wardrobe includes one fixed shelf and one fully adjustable shelf. Adjust the height of the movable

shelf to accommodate items of various sizes, from folded garments to storage bins.

- **Full-Size Drawers:** The two full-size drawers are equipped with ball-bearing slides for smooth operation. Use them to store smaller items, accessories, or folded clothing.



## Adjustable Shelves

The wardrobe comes with an adjustable shelf, which can be moved up and down according to the type of clothes you hang. It fully meets your needs.

## Classic and Morden

The classic barn door paired with a golden handle perfectly blends the traditional with the modern, enhancing the aesthetic appeal of your space.



## Full Size Drawers

The wardrobe features a full - size drawer at the bottom, equipped with ball - bearing slides, allowing you to easily pull it out.

Figure 7: Key features including adjustable shelves, classic barn doors, and full-size drawers.



Figure 8: The spacious full-size drawer provides ample storage for various items.

## MAINTENANCE

To ensure the longevity and appearance of your COFaR Metal Wardrobe Cabinet, follow these maintenance guidelines:

- **Cleaning:** Wipe the surface with a soft, damp cloth. Avoid abrasive cleaners or harsh chemicals, as these can damage the powder-coated and oil-resistant finish.
- **Durability:** The wardrobe is crafted from high-quality steel with a 4-layer production process, including an anti-oxidation coating and powder coating, ensuring durability and resistance to corrosion.
- **Inspection:** Periodically check all screws and connections to ensure they remain tight. Retighten if necessary.
- **Anti-Tipping Kit:** Regularly verify that the anti-tipping kit is securely attached to both the wardrobe and the wall.

# ANTI-TIPPING KIT

## ADDING EXTRA SECURITY TO YOUR HOME

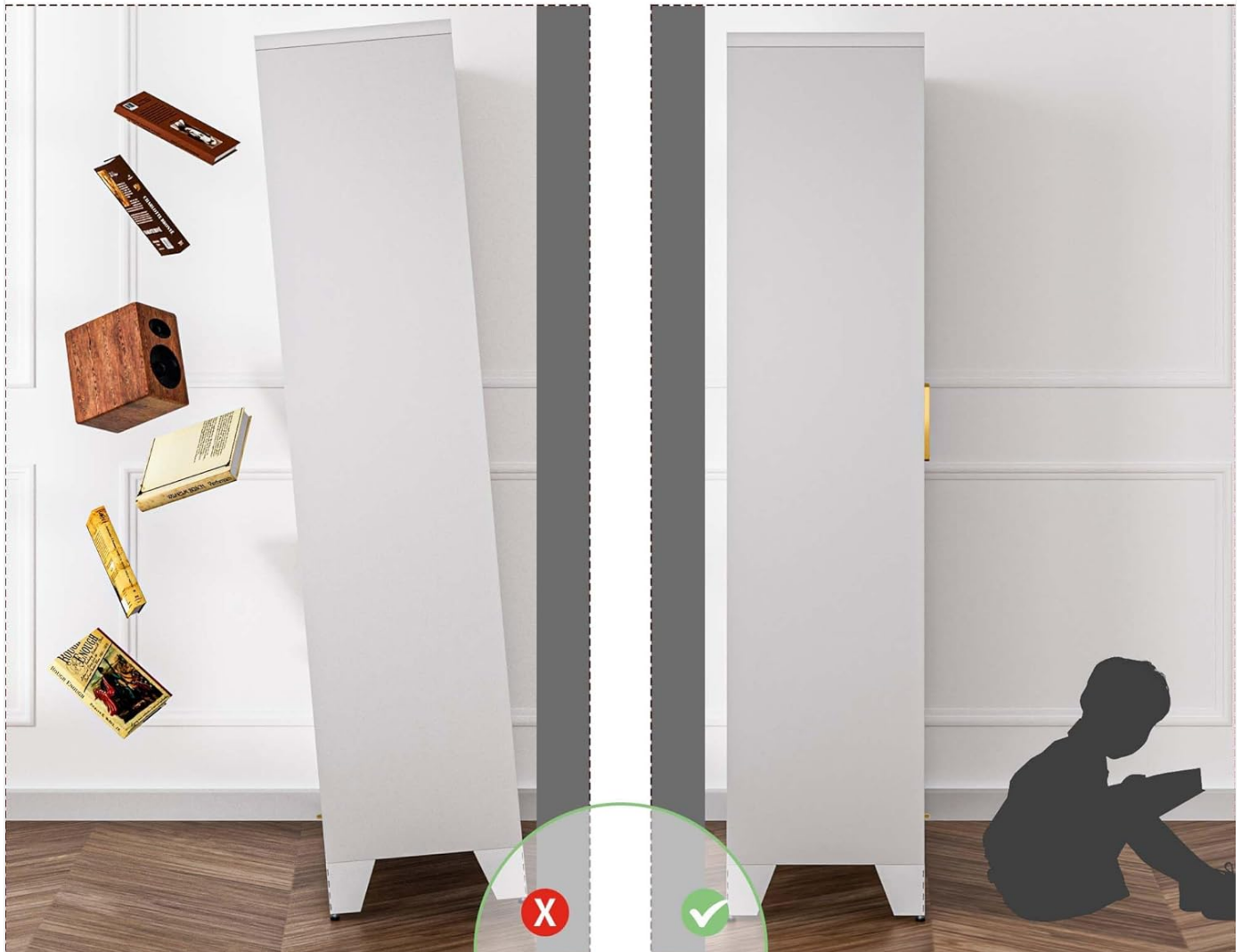


Figure 9: The 4-step craftsmanship process ensures exceptional quality and durability.

### TROUBLESHOOTING

If you encounter any issues with your COFaR Metal Wardrobe Cabinet, refer to the following common solutions:

- **Difficulty during Assembly:** Ensure you are following the included assembly instructions precisely. Some steps may require careful alignment. If a part seems difficult to fit, double-check the orientation and part number. Do not force components.
- **Wobbly Cabinet:** Check that all screws are tightened. Adjust the leveling feet at the bottom of the cabinet to ensure it stands firmly on the floor. Verify the anti-tipping kit is properly installed.
- **Drawers Not Sliding Smoothly:** Ensure the drawer slides are correctly installed and aligned. Check for any obstructions in the tracks.
- **Minor Dents/Damage:** If the product arrived with minor cosmetic damage, please contact COFaR customer service for assistance.

For issues not covered here, please contact COFaR customer support.

## SPECIFICATIONS

---

<b>Brand</b>	COFaR
<b>Model Name</b>	Metal Cabinet
<b>Product Dimensions (D x W x H)</b>	17.72" x 31.5" x 70.86"
<b>Material</b>	Metal (High-Quality Steel)
<b>Color</b>	White
<b>Number of Doors</b>	2 (Barn Doors)
<b>Number of Drawers</b>	2
<b>Number of Shelves</b>	2 (1 fixed, 1 adjustable)
<b>Total Weight Capacity</b>	600 pounds
<b>Additional Features</b>	Adjustable Feet, Removable Shelf, Hanging Rod, Anti-Tipping Mechanism
<b>Assembly Required</b>	Yes

## WARRANTY AND SUPPORT

---

COFaR is committed to providing quality products and customer satisfaction.

### Warranty Information

Specific warranty details for your COFaR Metal Wardrobe Cabinet are typically included with your purchase documentation. Please refer to the warranty card or contact COFaR customer service for information regarding coverage and terms.

### Customer Support

For any questions, concerns, or assistance with assembly, parts, or product issues, please contact COFaR customer support. Online service support is available to help you resolve any issues with ease. Visit the official COFaR store for more information: [COFaR Store on Amazon](#)

