



[Manuals.plus](#) /

› [Banzeem](#) /

› Banzeem LED Extendable TV Stand Instruction Manual (Model 319-04)

## Banzeem 319-04

# Banzeem LED Extendable TV Stand

MODEL: 319-04

[Contents](#) [Assembly](#) [Setup](#) [Introduction](#) [Operation](#) [Safety Information](#) [Maintenance](#) [Package](#) [Troubleshooting](#) [Specifications](#) [Support](#)

## 1. Introduction

---

Thank you for choosing the Banzeem LED Extendable TV Stand, Model 319-04. This manual provides essential information for the safe assembly, setup, operation, and maintenance of your new entertainment center. Designed for versatility, this TV stand features an extendable design to accommodate various room sizes and television dimensions, along with integrated LED lighting to enhance your living space.

Please read this manual thoroughly before beginning assembly or use, and retain it for future reference.



Figure 1: The Banzeem LED Extendable TV Stand, showcasing its modern design and integrated LED lighting.

## 2. Safety Information

---

To ensure safe use of your TV stand, please observe the following precautions:

- **Anti-Tipping Precaution:** This unit is designed to be stable, but for maximum safety, it is crucial to secure the TV stand to a wall using appropriate anti-tip hardware. Failure to do so may result in tipping, causing serious injury or property damage.
- **Weight Capacity:** Do not exceed the recommended weight capacity for the top surface or shelves. Refer to the specifications section for details.
- **Placement:** Place the TV stand on a flat, level surface to prevent instability.
- **Children and Pets:** Keep children and pets away from the unit during assembly. Do not allow children to climb on or play with the TV stand.
- **Electrical Safety:** Ensure all electrical connections for the LED lights are properly secured and away from moisture. Do not overload electrical outlets.

### 3. Package Contents

---

Before beginning assembly, verify that all components listed below are present and undamaged. If any parts are missing or damaged, please contact customer support.

- Main TV Stand Panels (various sizes)
- Extendable Section Components
- Drawer Components (2 sets)
- LED Light String with Power Adapter
- Remote Control for LED Lights
- Assembly Hardware (screws, dowels, cam locks, etc.)
- Assembly Instructions Manual

### 4. Assembly Instructions

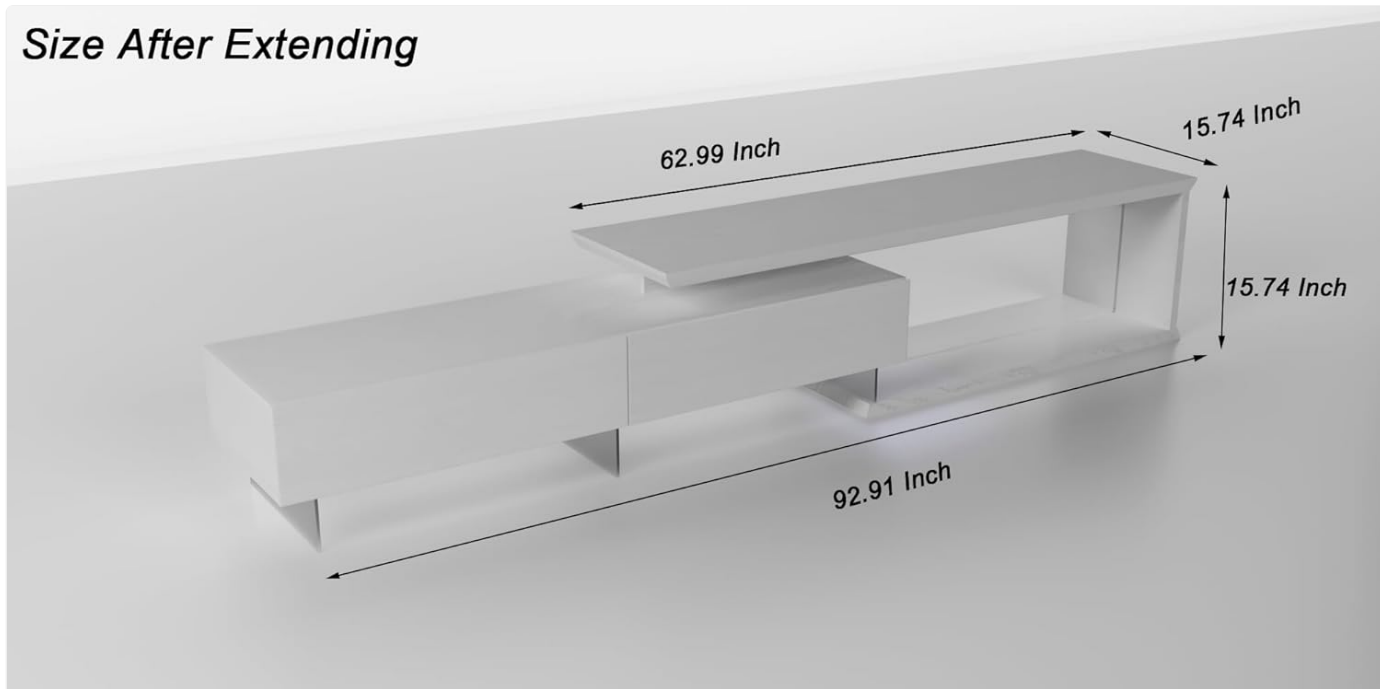
---

Assembly of the Banzeem LED Extendable TV Stand requires two people and approximately 2-3 hours. Please follow the detailed step-by-step instructions provided in the separate assembly manual included in your package. An installation video is also available on the product page for visual guidance.

**Key Assembly Tips:**

- Organize all parts and hardware before starting.
- Use a soft, clean surface to prevent scratching components during assembly.
- Do not overtighten screws.
- Ensure all connections are secure before moving the unit.

## Size After Extending



## Size Before Extending

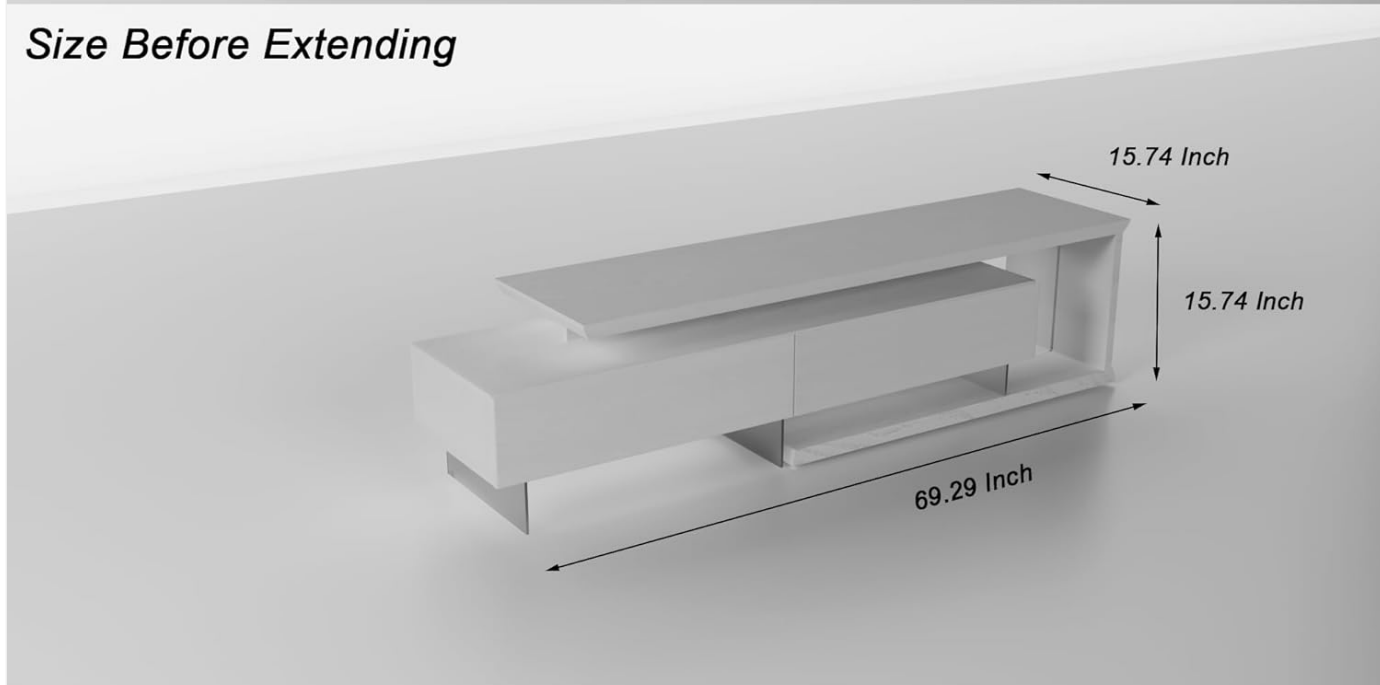


Figure 2: Dimensions of the TV stand, illustrating its extendable nature.

## 5. Setup

---

### 5.1. Adjusting the Extendable Design

The Banzeem TV Stand features an innovative extendable design, allowing you to adjust its length to suit your space and television size. The basic countertop length is approximately 69.29 inches, which can be extended up to approximately 92.91 inches.

- To extend: Gently slide the movable section outwards until the desired length is achieved.
- To shorten: Gently slide the movable section inwards.
- For wall-mounted TVs, the stand can accommodate TVs from 55 to 90 inches when fully extended.
- For standing TVs, the 63-inch base length is suitable.



*Extendable Structure Design - Adjust Length For Best Visual Experience*



Figure 3: The extendable design allows for length adjustment to optimize visual experience and fit various room sizes.

## 5.2. LED Light String Installation

The included 9.32 ft LED light string can be installed in the designated light display area to create ambient lighting.

1. Carefully unroll the LED light string.
2. Adhere the light string along the inner edges of the open shelf area, ensuring it is evenly distributed.
3. Connect the light string to the provided power adapter.
4. Plug the power adapter into a standard electrical outlet.

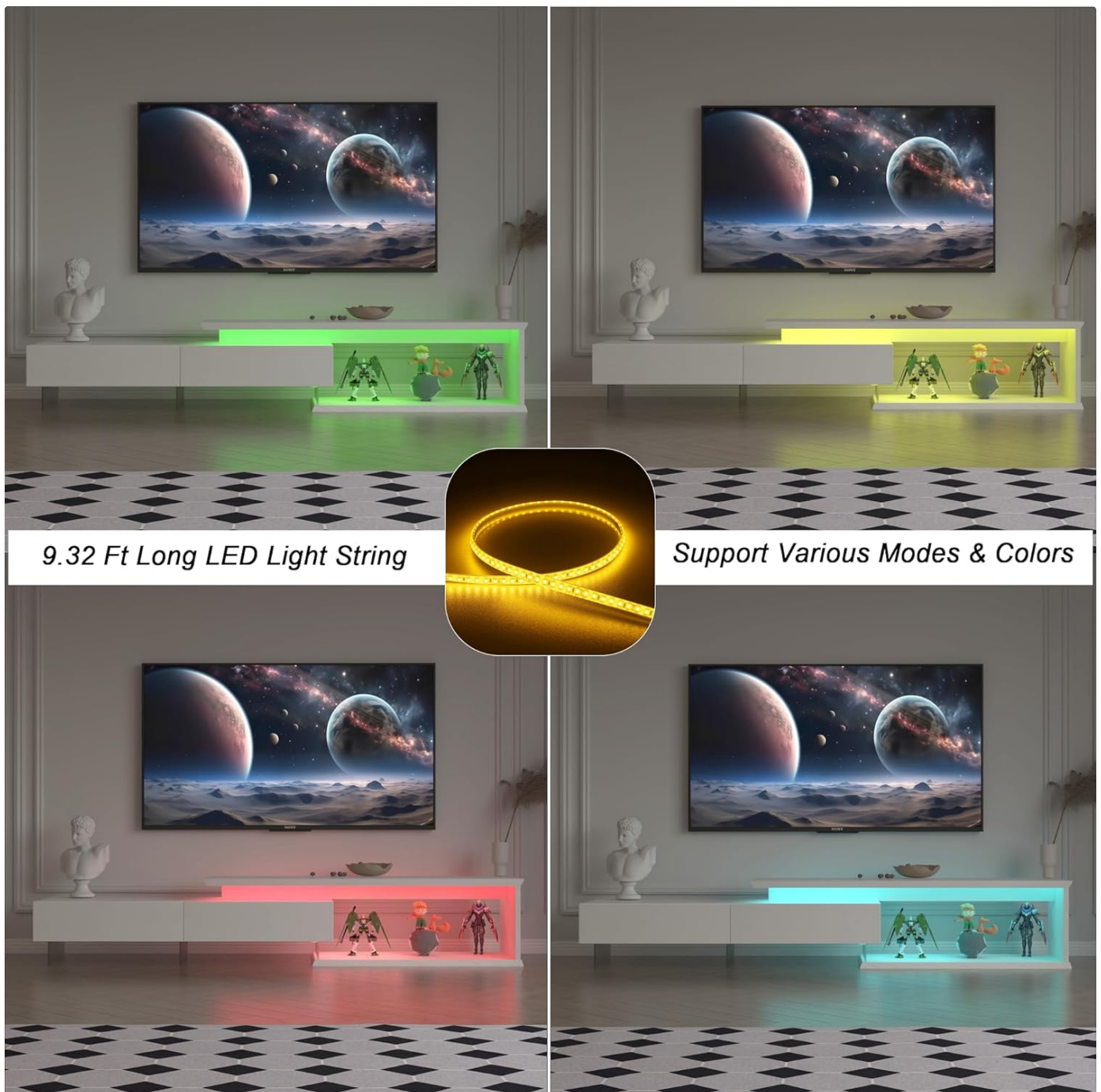


Figure 4: The LED light string offers multiple modes and colors to customize your ambiance.

## 6. Operating Instructions (LED Lights)

---

The LED light string can be controlled via a mobile phone application or the included remote control panel.

### 6.1. Using the Remote Control

- Ensure the LED light string is powered on.
- Point the remote control towards the receiver of the LED light string.
- Use the buttons on the remote to turn the lights on/off, change colors (31 modes available), adjust brightness, and select lighting effects.

### 6.2. Using the Mobile Application

- Download the compatible mobile application (refer to the LED light string manual for app name and QR code).
- Enable Bluetooth on your mobile device.

- Open the application and follow the on-screen instructions to pair with the LED light string.
- Once paired, you can control all functions of the LED lights directly from your phone.

## 7. Maintenance

---

To keep your Banzeem LED Extendable TV Stand in optimal condition, follow these simple maintenance guidelines:

- **Cleaning:** Wipe surfaces with a damp cloth. Avoid using harsh chemicals or abrasive cleaners, which can damage the finish.
- **Dusting:** Regularly dust the unit with a soft, dry cloth.
- **Spills:** Clean up spills immediately to prevent staining or damage to the engineered wood.
- **Hardware Check:** Periodically check all screws and fasteners to ensure they remain tight. Retighten if necessary.

## 8. Troubleshooting

---

If you encounter issues with your TV stand, refer to the following common problems and solutions:

Problem	Possible Cause	Solution
LED lights do not turn on.	Power adapter unplugged, remote battery dead, loose connection.	Check power connection, replace remote battery, ensure all light string connections are secure.
Drawers do not close smoothly.	Misaligned drawer slides, obstruction, overtightened screws.	Realign drawer slides, remove any obstructions, slightly loosen screws on drawer slides if too tight.
TV stand wobbles or is unstable.	Uneven floor, loose assembly hardware, anti-tip kit not installed.	Ensure placement on a level surface, tighten all assembly hardware, install the anti-tip kit (if applicable and provided).

If the problem persists, please contact Banzeem customer support for assistance.

## 9. Product Specifications

---

Feature	Detail
Brand	Banzeem
Model Number	319-04
Material	Engineered Wood
Product Dimensions (Min)	69.29 x 15.74 x 15.74 inches (L x W x H)
Product Dimensions (Max)	92.91 x 15.74 x 15.74 inches (L x W x H)
Item Weight	94 pounds
Color	White
Extendable	Yes
LED Lighting	31 modes full color selection light string, mobile app & remote control support
Storage	2 pull-down doors/drawers, open shelves

<b>Feature</b>	<b>Detail</b>
<b>Care Instructions</b>	Wipe with Damp Cloth
<b>UPC</b>	759225084592

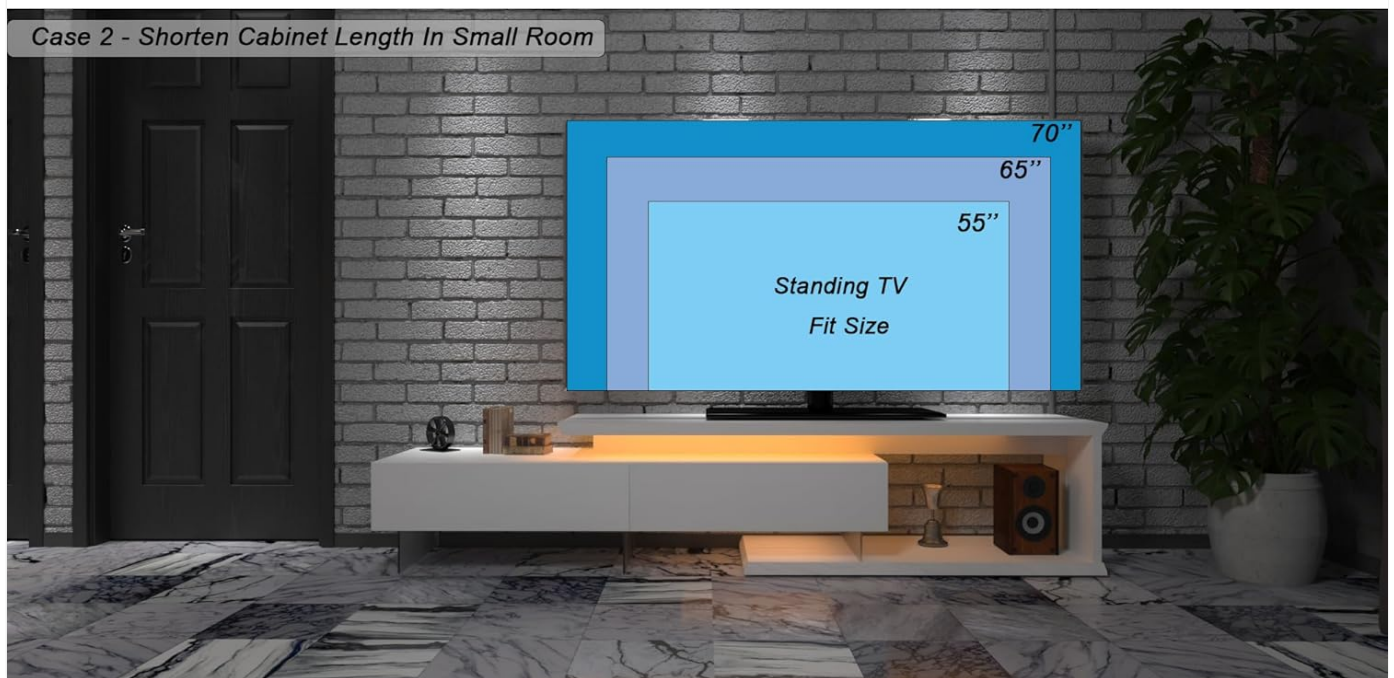
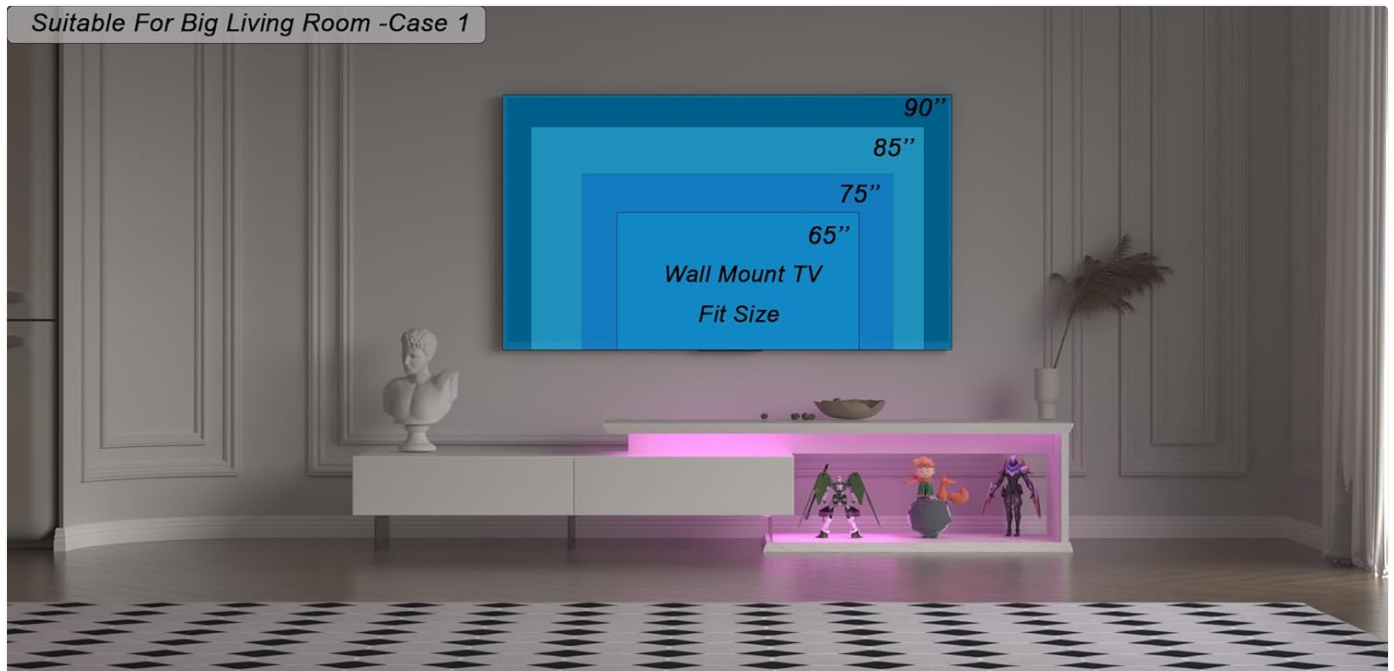


Figure 5: The versatile design accommodates a range of TV sizes and room configurations.

# Geometric Aesthetic Shape Design

- A TV Stand Full Of Streamline And Hypotenuse



*Transparent Legs*



*Chamfer Cabinet Door*



*Large Light Display Area*

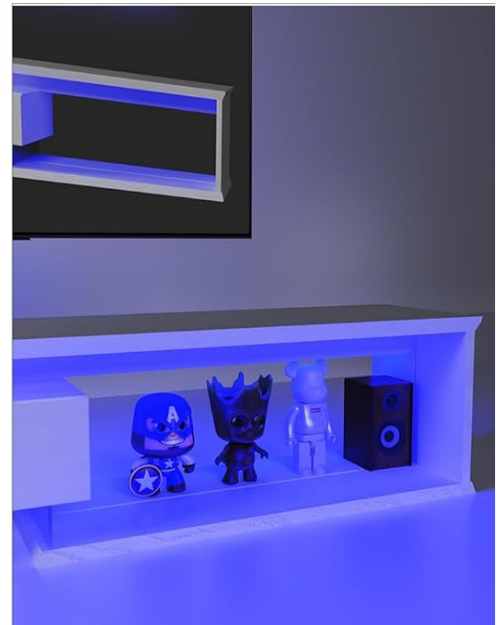


Figure 6: Detailed view of the TV stand's aesthetic and functional elements.

## 10. Warranty and Customer Support

Banzeem is committed to providing high-quality products and excellent customer service. If you have any questions regarding assembly, missing parts, product functionality, or require assistance, please do not hesitate to contact our customer support team.

- **Contact Information:** Refer to your purchase documentation or the Banzeem official website for the most current customer service contact details.
- **Replacement Parts:** We maintain a stock of replacement parts in our USA local warehouse to address occasional damage during transportation or other factors. We aim to process replacement requests promptly.
- **Online Service:** 24-hour responsive online service is available for installation or usage inquiries.

For more information about Banzeem products, visit the [Banzeem Store](#).

© 2025 Banzeem. All rights reserved.

This manual is for informational purposes only. Product specifications are subject to change without notice.